

# Wood Commercial Door

Unit Features.....	1
Standard Divided Lite Option .....	3
Optional Interior Square Simulated Divided Lite .....	4
Minimum and Maximum Guidelines: Doors and In-Sash Transoms .....	7
Minimum and Maximum Guidelines: Direct Glaze Rectangles / Transoms .....	8
Net Clear Openings.....	9
Measurements Conversions.....	10
1 3/4" Commercial Section Details: Operating .....	12
1 3/4" Commercial Section Details: Stationary and Sidelite.....	13
1 3/4" Commercial Section Details: Panel Configurations .....	14
1 3/4" Commercial Section Details: Flat Panel Placement.....	15
1 3/4" Commercial Section Details: Raised Panel Placement .....	16
2 1/4" Commercial Section Details: Operating .....	17
2 1/4" Commercial Section Details: Stationary and Sidelite.....	18
2 1/4" Commercial Section Details: Panel Configurations .....	19
2 1/4" Commercial Section Details: Flat Panel Placement.....	20
2 1/4" Commercial Section Details: Raised Panel Placement .....	21
1 3/4" and 2 1/4" Commercial Section Details: In-Sash Transom.....	22
1 3/4" and 2 1/4" Commercial Section Details: Direct Glaze Transom.....	23



# Wood Commercial Door

## Unit Features

Wood 1 3/4" Commercial Door: WCD

Wood 2 1/4" Commercial Door: WMCD

*NOTE: CE mark not available on Wood 1 3/4" Commercial Door or Wood 2 1/4" Commercial Door.*

### Frame:

- Frame thickness: 1 1/16" (27).
- Frame width: 4 9/16" (116).
- Sill: Standard factory installed thermal barrier saddle low profile .500" (13) by 7.125" (181) sill. Optional: Thermal barrier saddle low profile.250" (6) by 7.125" (181) sill. Offset saddle low profile.500 (13) by 7.00" (178) sill width .250" (6) offset. Standard finish: Mill Finish Aluminum.
  - Optional Finish: Dark Bronze Anodized Aluminum, Gold Anodized Aluminum.
  - Optional: No sill.

### Panel:

- Panel thickness: WCD 1 3/4" (44) and WMCD 2 1/4" (57).
- Top rail height:
  - WCD panel: 6" (152).
  - WMCD panel: 8 1/8" (206).
    - Panel core material is solid Pine, or follows the species of the door.
- Stile width, locking and hinge stiles are 6" (153) wide with LVL core.
- Bottom rail height: 11 3/8" (289) is solid pine or follows the species of the door.
- Optional 6" (152) intermediate rail is solid pine or follows the species of the door, is centered 26" (660) or 40 5/16" (1024) from bottom of door sill.

### Glass and Glazing:

- Select quality complying with ASM C 1036. Comply with 16 CFR 1201 Safety Standard for Architectural Glazing Materials. Tempered insulating glass IGMA.IGCC certified to performance level CBA when tested in accordance with ASTM E 774.
- Glazing Seal: Tempered insulating glass hermetically sealed placed into an exterior bed of silicone. Uses a beveled wood stop.
- WCD has 3/4" IG with removable interior vinyl glazing stops with non finger-jointed wood covers, no visible fasteners.
- WMCD Commercial Door has 1" IG with nailed on glazing stops.
- Glazing Method: Tempered Insulating Glass (Altitude Adjusted).
- Glass Type: Clear; Bronze; Gray; Reflective Bronze; Low E2 Argon or without Argon; Low E3 Argon or without Argon; Obscure; Laminated and Decorative glass options.
- ADL glazing option not available with Argon.

### Hardware

- Hinges: 4 1/2" (114) x 4 1/2" (114) square corner ball bearing hinges. Standard finish color and substrate: Satin Chrome (US26D) over brass substrate.
  - Optional: Bronze finish over Brass substrate (US10A), Solid Brass (US3), Stainless Steel (US32D).
- WCD panel: Three hinges per panel up to 85 9/16" (2173) high, four hinges per panel on doors over 85 9/16" (2173) rough opening.
- WMCD panel: Three hinges per panel up to 85 9/16" (2173) and 95" (2413) high, 5 hinges per panel on units over 95" (2413) high.
- No lock no bore is standard.
  - Optional Commercial Hardware Package:
    - Closer, rim device, mortise lock, removable mullion and kick plate.
  - Optional hardware Routs and Preps.
    - Von Duprin Push pad Rim Devices and Trim Sets.
    - Von Duprin Cross Bar Device and Trim Sets.
    - Schlage L Mortise Lock and Trim Sets.
    - Schlage ND Cylindrical locks.
    - Alarm Lock.

## Unit Features

### **Raised/Flat Panel Option:**

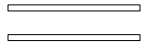
- 6" (152) Intermediate rail in constructed of finger joint, edge-glued pine, or laminated veneer lumber (LVL) core with non finger-jointed, bare veneers to the interior and exterior.
  - Raised or flat Extira® panel constructed of medium density fiberboard (MDF) core with wood laminate veneer to interior and exterior.
- Two standard placement options are available:
  - Low Placement, 26"(660) on center (OC) of 6"(152) intermediate rail from bottom of door sill for a 10 13/16"(275) visible panel height.
  - High Placement, 40 5/16"(1024) OC of 6"(152) intermediate rail from bottom of door sill for a 25 1/8"(638) visible panel height.

### **Weather Strip:**

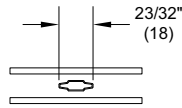
- Beige bulb type weather strip at top rails and hinge stiles.
  - Optional: Black.
- Black pile type weather strip at locking stiles.
- Panel Drips will default to the sill finish or color. Beige drips will default for clear anodize aluminum, gold anodized or beige sills. Bronze drips will default for bronze sills.
- Sweep across panel bottom.
  - Optional: Bronze or Beige.

# Wood Commercial Door

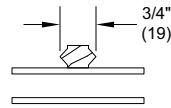
## Standard Divided Lite Option



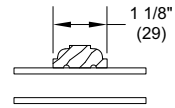
Insulating Glass



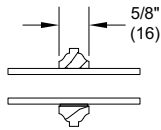
Aluminum 23/32"  
Contour GBG



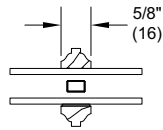
3/4" Grille



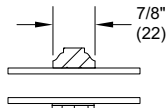
1 1/8" Grille



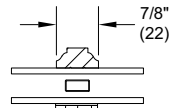
5/8" SDL



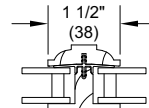
5/8" SDL  
W/Spacer



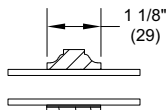
7/8" SDL



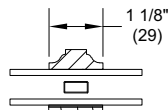
7/8" SDL  
W/Spacer Bar



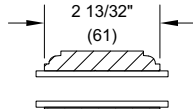
IG ADL  
For Sliding French Doors



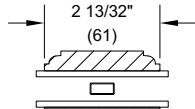
1 1/8" SDL



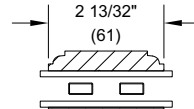
1 1/8" SDL  
W/Spacer Bar



2 13/32" SDL

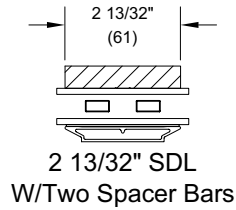
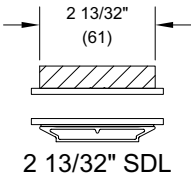
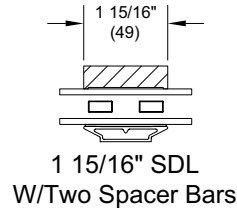
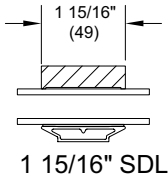
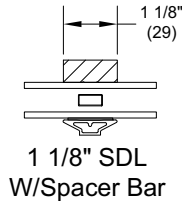
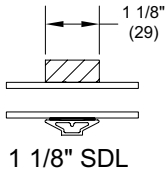
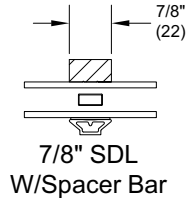
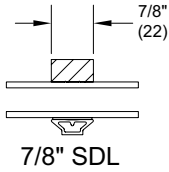
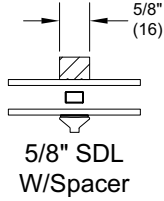
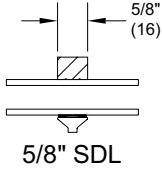


2 13/32" SDL  
W/One Spacer Bar



2 13/32" SDL  
W/Two Spacer Bar

**Optional Interior Square Simulated Divided Lite**



Standard Unit Measurements: 1 3/4" and 2 1/4" Doors

1 3/4" Commercial Unit Measurements													
Width													
Unit Type	Call Number	Masonry Opening		Rough Opening		Frame Size		Panel OM		Daylight Opening		Glass Size	
		ft - in	mm	ft - in	mm	ft - in	mm	ft-in	mm	ft - in	mm	ft-in	mm
Sidelite	1-6	1-11 1/4	(591)	1-9 1/8	(537)	1-8 1/8	(511)	1-5 3/4	(451)	1-1 1/4	(337)	1-2 9/16	(370)
1 Panel	3-0	3-5 9/32	(1049)	3-3 5/32	(995)	3-2 5/32	(969)	2-11 13/16	(910)	1-11 27/32	(606)	2-1 5/32	(639)
	3-6	3-11 9/32	(1201)	3-9 5/32	(1147)	3-8 5/32	(1122)	3-5 13/16	(1062)	2-5 27/32	(758)	2-7 5/32	(791)
2 Panel	6-0	6-5 19/64	(1963)	6-3 11/64	(1909)	6-2 11/64	(1884)	2-11 13/16	(910)	1-11 27/32	(606)	2-1 5/32	(639)
	7-0	7-5 19/64	(2268)	7-3 11/64	(2214)	7-2 11/64	(2189)	3-5 13/16	(1062)	2-5 27/32	(758)	2-7 5/32	(791)
Height													
Unit Type	Call Number	Masonry Opening		Rough Opening		Frame Size		Panel OM		Daylight Opening		Glass Size	
		ft - in	mm	ft - in	mm	ft - in	mm	ft-in	mm	ft - in	mm	ft - in	mm
All Configurations	7-0	7-2 5/8	(2200)	7-1 9/16	(2173)	7-1 1/16	(2161)	6-11	(2108)	5-5 5/8	(1667)	5-6 15/16	(1700)
	8-0	8-2 5/8	(2505)	8-1 9/16	(2478)	8-1 1/16	(2465)	7-11	(2413)	6-5 5/8	(1972)	6-6 15/16	(2005)

Standard 2 1/4" Commercial Unit Measurements													
Width													
Unit Type	Call Number	Masonry Opening		Rough Opening		Frame Size		Panel OM		Daylight Opening		Glass Size	
		ft - in	mm	ft - in	mm	ft - in	mm	ft-in	mm	ft - in	mm	ft-in	mm
Sidelite	1-6	1-11 1/4	(591)	1-9 1/8	(537)	1-8 1/8	(511)	1-5 3/4	(451)	0-11 25/32	(299)	1-1 3/32	(333)
1 Panel	3-0	3-5 9/32	(1049)	3-3 5/32	(995)	3-2 5/32	(969)	2-11 13/16	(910)	1-11 27/32	(606)	2-1 5/32	(639)
	3-6	3-11 9/32	(1201)	3-9 5/32	(1147)	3-8 5/32	(1122)	3-5 13/16	(1062)	2-5 27/32	(758)	2-7 5/32	(792)
	4-0	4-5 9/32	(1353)	4-3 5/32	(1299)	4-2 5/32	(1274)	3-11 13/16	(1215)	2-11 27/32	(911)	3-1 5/32	(944)
2 Panel	6-0	6-5 19/64	(1963)	6-3 11/64	(1909)	6-2 11/64	(1884)	2-11 13/16	(910)	1-11 27/32	(606)	2-1 5/32	(639)
	7-0	7-5 19/64	(2268)	7-3 11/64	(2214)	7-2 11/64	(2189)	3-5 13/16	(1062)	2-5 27/32	(758)	2-7 5/32	(791)
	8-0	8-5 19/64	(2573)	8-3 11/64	(2519)	8-2 11/64	(2494)	3-11 13/16	(1214)	2-11 27/32	(910)	3-1 5/32	(944)
Height													
Unit Type	Call Number	Masonry Opening		Rough Opening		Frame Size		Panel OM		Daylight Opening		Glass Size	
		ft - in	mm	ft - in	mm	ft - in	mm	ft-in	mm	ft - in	mm	ft - in	mm
All Configurations	7-0	7-2 5/8	(2200)	7-1 9/16	(2173)	7-1 1/16	(2161)	6-11	(2108)	5-3 31/64	(1613)	5-4 51/64	(1646)
	8-0	8-2 5/8	(2505)	8-1 9/16	(2478)	8-1 1/16	(2465)	7-11	(2413)	6-3 31/64	(1917)	6-4 51/64	(1951)
	10-0	10-2 5/8	(3115)	10-1 9/16	(3088)	10-1 1/16	(3075)	9-11	(3023)	8-3 31/64	(2527)	8-4 51/64	(2560)

NOTE: Rough Opening and Masonry Opening height may vary according to sill type applied by others.

**Standard Unit Measurements: Direct Glaze and In-Sash Transoms**

Wood Commercial Direct Glaze Transom											
Width											
Unit Type	Call Number	Masonry Opening		Rough Opening		Frame Size		Daylight Opening		Glass Size	
		ft-in	mm	ft-in	mm	ft-in	mm	ft-in	mm	in	mm
1 Lite Direct Glaze Transom Commercial Door	3-0	3-5 5/16	(1049)	3-3 3/16	(995)	3-2 3/16	(969)	2-10 1/4	(869)	35 19/32	(904)
	3-6	3-11 5/16	(1201)	3-9 3/16	(1147)	3-8 3/16	(1122)	3-4 1/4	(1022)	41 19/32	(1057)
	6-0	6-5 5/16	(1963)	6-3 3/16	(1909)	6-2 3/16	(1884)	5-10 1/4	(1784)	71 5/8	(1819)
	7-0	7-5 5/16	(2268)	7-3 3/16	(2214)	7-2 3/16	(2189)	6-10 1/4	(2089)	83 5/8	(2124)
Height											
Unit Type	Call Number	Masonry Opening		Rough Opening		Frame Size		Daylight Opening		Glass Size	
		ft-in	mm	ft-in	mm	ft-in	mm	ft-in	mm	in	mm
All Configurations	1-0	1-2 1/4	(362)	1-0 1/2	(318)	1-0	(305)	0-8 1/16	(205)	9 7/16	(240)
	1-2	1-4 1/4	(413)	1-2 1/2	(368)	1-2	(356)	0-10 1/16	(256)	11 7/16	(291)
	1-6	1-8 1/4	(514)	1-6 1/2	(470)	1-6	(457)	1-2 1/16	(357)	15 7/16	(392)

Standard Measurements for Direct Set and In-Sash Transoms for Commercial Units													
Width													
Unit Type	Call Number	Masonry Opening		Rough Opening		Frame Size		Panel OM		Daylight Opening		Glass Size	
		ft - in	mm	ft - in	mm	ft - in	mm	ft-in	mm	ft - in	mm	ft - in	mm
1 Sash	3-0	3-5 9/32	(1049)	3-3 5/32	(995)	3-2 5/32	(969)	2-11 13/16	(910)	1-11 27/32	(606)	2-1 5/32	(639)
	3-6	3-11 9/32	(1201)	3-9 5/32	(1147)	3-8 5/32	(1122)	3-5 13/16	(1062)	2-5 27/32	(758)	2-7 5/32	(791)
	4-0	4-5 9/32	(1353)	4-3 5/32	(1299)	4-2 5/32	(1274)	3-11 13/16	(1215)	2-11 27/32	(911)	3-1 5/32	(944)
2 Sash	6-0	6-5 19/64	(1963)	6-3 11/64	(1909)	6-2 11/64	(1884)	2-11 13/16	(910)	1-11 27/32	(606)	2-1 5/32	(639)
	7-0	7-5 19/64	(2268)	7-3 11/64	(2214)	7-2 11/64	(2189)	3-5 13/16	(1062)	2-5 27/32	(758)	2-7 5/32	(791)
	8-0	8-5 19/64	(2573)	8-3 11/64	(2519)	8-2 11/64	(2494)	3-11 13/16	(1215)	2-11 27/32	(911)	3-1 5/32	(944)
Height													
Unit Type	Call Number	Masonry Opening		Rough Opening		Frame Size		Panel OM		Daylight Opening		Glass Size	
		ft - in	mm	ft - in	mm	ft - in	mm	ft-in	mm	ft - in	mm	ft - in	mm
In-Sash Configurations	1-6	1-7 9/16	(497)	1-6 1/2	(470)	1-6	(457)	1-3 5/16	(389)	0-9 5/16	(237)	0-10 5/8	(270)
	2-0	2-1 9/16	(649)	2-0 1/2	(622)	2-0	(610)	1-9 5/16	(541)	1-3 5/16	(389)	1-4 5/8	(422)
	2-6	2-7 9/16	(802)	2-6 1/2	(775)	2-6	(762)	2-3 5/16	(694)	1-9 5/16	(541)	1-10 5/8	(575)

NOTE: 4-0 and 8-0 Sizes are only available with 2 1/4" Commercial Doors.



**Minimum and Maximum Guidelines: Doors and In-Sash Transoms**

Minimum and Maximum Guidelines for 1 3/4" Doors								
Unit Type	Min Frame Size Unit				Max Frame Size Unit			
	Width		Height		Width		Height	
	in	mm	in	mm	in	mm	in	mm
Sidelight	14 5/16	(364)	24 1/8	(613)	20 1/8	(511)	97 1/16	(2465)
1 - Panel Stationary	20 9/32	(515)	24 1/8	(613)	44 3/16	(1122)	97 1/16	(2465)
1 - Panel Operator	20 9/32	(515)	40 1/16	(1018)	44 3/16	(1122)	97 1/16	(2465)
2 - Panel Stationary	38 27/64	(976)	24 1/8	(613)	86 3/16	(2189)	97 1/16	(2465)
2 - Panel Operator	38 27/64	(976)	40 1/16	(1018)	86 3/16	(2189)	97 1/16	(2465)

1 3/4" Commercial Door Extended Sizes				
Unit Type	Min Frame Size Unit			
	Width		Height	
	in	mm	in	mm
Sidelight	53 15/32	(1358)	112 9/16	(2859)
1 - Panel Stationary	56 15/32	(1434)	112 9/16	(2859)
1 - Panel Operator	50 11/32	(1279)	112 9/16	(2859)
2 - Panel Stationary	104 51/64	(2662)	112 9/16	(2859)
2 - Panel Operator	98 35/64	(2503)	112 9/16	(2859)

NOTE: Maximum Square Footage 25 (635) Sq. Ft. of glass per Panel.

Minimum and Maximum Guidelines for 2 1/4" doors								
Unit Type	Min Frame Size Unit				Max Frame Size Unit			
	Width		Height		Width		Height	
	in	mm	in	mm	in	mm	in	mm
Sidelight	14 5/16	(364)	26 17/64	(667)	20 1/8	(511)	121 1/16	(3075)
1 - Panel Stationary	20 9/32	(515)	26 17/64	(667)	50 3/16	(1275)	121 1/16	(3075)
1 - Panel Operator	20 9/32	(515)	40 1/16	(1018)	50 3/16	(1275)	121 1/16	(3075)
2 - Panel Stationary	38 27/64	(976)	26 17/64	(667)	98 3/16	(2494)	97 1/16	(2465)
2 - Panel Operator	38 27/64	(976)	40 1/16	(1018)	98 3/16	(2494)	121 1/16	(3075)

2 1/4" Commercial Door Extended Sizes				
Unit Type	Min Frame Size Unit			
	Width		Height	
	in	mm	in	mm
Sidelight	57 11/32	(1457)	121 1/16	(3075)
1 - Panel Stationary	57 11/32	(1457)	121 1/16	(3075)
1 - Panel Operator	50 11/32	(1279)	121 1/16	(3075)
2 - Panel Stationary	112 35/64	(2859)	121 1/16	(3075)
2 - Panel Operator	98 35/64	(2503)	121 1/16	(3075)

NOTE: Maximum Square Footage 60.99 (1778) Sq. Ft. of glass per Panel.

Minimum and Maximum Guidelines for Transoms								
Unit Type	Min Frame Size Unit				Max Frame Size Unit			
	Width		Height		Width		Height	
	in	mm	in	mm	in	mm	in	mm
1 Frame 1 Sash	20 9/32	(515)	11 3/8	(289)	44 3/16	(1122)	30	(762)
1 Frame 2 Sash	38 27/64	(976)	11 3/8	(289)	86 3/16	(2189)	30	(762)

Transom Extended Sizes				
Unit Type	Min Frame Size Unit			
	Width		Height	
	in	mm	in	mm
1 Frame 1 Sash	98 11/64	(2494)	50 11/16	(1287)
1 Frame 2 Sash	191	(4851)	50 11/16	(1287)

**Minimum and Maximum Guidelines: Direct Glaze Rectangles / Transoms**

Minimum Guidelines - Direct Glaze Rectangles / Transoms				
Unit Type	Min Width		Min Height	
	in	mm	in	mm
Single Glaze	6 9/16	(167)	7 1/2	(191)
Insulating Glass	6 9/16	(167)	7 1/2	(191)

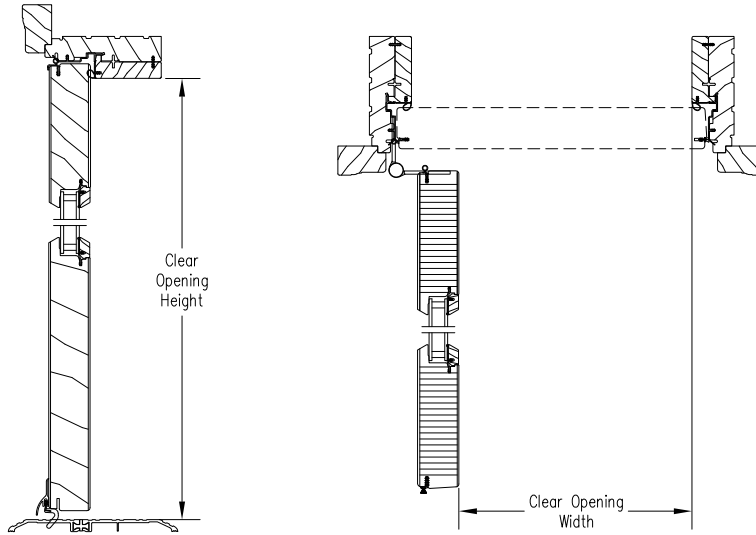
Maximum Guidelines - Direct Glaze Rectangles / Transoms				
Unit Type	Max Width		Max Height	
	in	mm	in	mm
Single Glaze	<b>Certified Frame Size</b>			
	84	(2134)	87	(2210)
	97 15/16	(2488)	74	(1880)
	87	(2210)	84	(2134)
	74	(1880)	97 15/16	(2488)
	<b>Non-Certified Sizes</b>			
	145 9/16	(3697)	53 7/8	(1368)
	90 1/2	(2299)	86 1/16	(2186)
	86 1/16	(2186)	90 1/2	(2299)
	53 7/8	(1368)	145 9/16	(3697)
	Insulating Glass	<b>Certified Size</b>		
84		(2134)	97 15/16	(2488)
97 15/16		(2488)	84	(2134)
<b>Non-Certified Sizes</b>				
145 9/16		(3697)	63 15/16	(1624)
107 3/4		(2737)	86 1/16	(2186)
86 1/16		(2186)	107 3/4	(2737)
63 15/16		(1624)	145 9/16	(3697)

**Net Clear Openings**

Scale: 1 1/2" = 1'

Net Clear Opening 1 3/4" Commercial Door			
Width			
Unit Type	Call Number	Net Clear Openings	
		ft-in	mm
1 Panel	3-0	2-8 55/64	(835)
	3-6	3-2 55/64	(987)
2 Panel	6-0	5-7 5/64	(1704)
	7-0	6-7 5/64	(2008)
Height			
Unit Type	Call Number	Net Clear Openings	
		ft - in	mm
All Configurations	7-0	6-10 13/16	(2103)
	8-0	7-10 13/16	(2408)

Net Clear Opening 2 1/4" Commercial Door			
Width			
Unit Type	Call Number	Net Clear Openings	
		ft-in	mm
1 Panel	3-0	2-8 11/32	(822)
	3-6	3-2 11/32	(974)
	4-0	3-8 11/32	(1126)
2 Panel	6-0	5-6 3/64	(1678)
	7-0	6-6 3/64	(1983)
	8-0	7-6 3/64	(2287)
Height			
Unit Type	Call Number	Net Clear Openings	
		ft - in	mm
All Configurations	7-0	6-10 13/16	(2103)
	8-0	7-10 13/16	(2408)
	10-0	9-10 13/16	(3018)



# Wood Commercial Door

## Measurements Conversions

1 3/4" Door Unit Measurements		Width				Height	
From	To						
Rough Opening		in	mm			in	mm
OM of Frame	Rough Opening	+ 1	(25)			+ 1/2	(13)
Masonry Opening w/BMC	Rough Opening	-2 1/8	(54)			-1 1/16	(27)
Operating Panel		in	mm			in	mm
OM of Frame	OM of Sidelite	-2 3/8	(60)			-2 1/16	(52)
OM of Frame	OM of Panel (x1)	-2 11/32	(59)			-2 1/16	(52)
OM of Frame	OM of Panel (x2)	-2 35/64	(65)	÷	2	-2 1/16	(52)
Daylight Opening	Om of Sidelite	+ 5 31/32	(152)			+ 17 3/8	(441)
Daylight Opening	OM of Panel	+ 11 31/32	(304)			+ 17 3/8	(441)
Glass		in	mm			in	mm
Daylight Opening	Glass	+ 1 5/16	(33)			+ 1 5/16	(33)

2 1/4" Door Unit Measurements		Width				Height	
From	To						
Rough Opening		in	mm			in	mm
OM of Frame	Rough Opening	+ 1	(25)			+ 1/2	(13)
Masonry Opening	Rough Opening	+ 1/2	(13)			+ 1/4	(06)
Masonry Opening w/BMC	Rough Opening	-2 1/8	(54)			-1 1/16	(27)
Masonry Opening w/Flat Casing	Rough Opening	-5 1/2	(140)			-2 3/4	(70)
Operating Panel		in	mm			in	mm
OM of Frame	OM of Sidelite	-2 3/8	(60)			-2 1/16	(52)
OM of Frame	OM of Panel (x1)	-2 11/32	(59)			-2 1/16	(52)
OM of Frame	OM of Panel (x2)	-2 35/64	(65)	÷	2	-2 1/16	(52)
Daylight Opening	Om of Sidelite	+ 5 31/32	(152)			+ 19 1/2	(495)
Daylight Opening	OM of Panel	+ 11 31/32	(304)			+ 19 1/2	(495)
Glass		in	mm			in	mm
Daylight Opening	Glass	+ 1 5/16	(33)			+ 1 5/16	(33)

NOTE: The Direct Glaze Door Transom Conversions are covered in the [Wood Direct Glaze Polygon and Round Top Chapter](#)

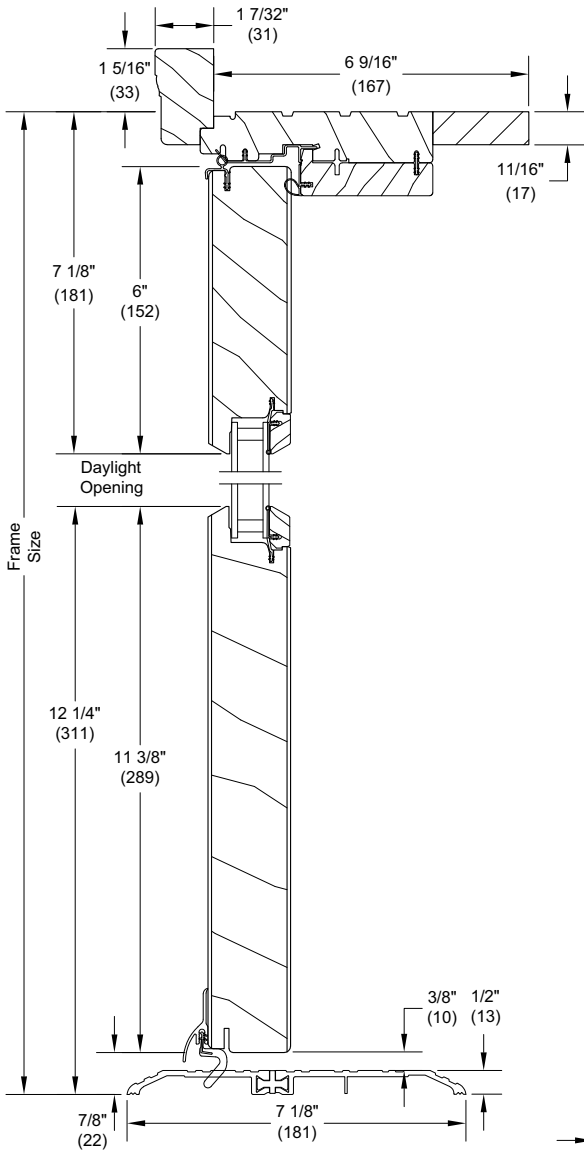
**Measurements Conversions**

In-Sash Transom Unit Measurements		Width				Height	
From	To	in	mm			in	mm
<b>Rough Opening</b>		<b>in</b>	<b>mm</b>			<b>in</b>	<b>mm</b>
OM of Frame	Rough Opening	+ 1	(25)			+ 1/2	(13)
Masonry Opening w/BMC	Rough Opening	-2 1/8	(54)			-1 1/16	(27)
<b>Stationary Sash</b>		<b>in</b>	<b>mm</b>			<b>in</b>	<b>mm</b>
OM of Frame	OM of Sash (x1)	-2 11/32	(59)			-2 11/16	(68)
OM of Frame	OM of Sash (x2)	-2 35/64	(65)			-2 11/16	(68)
Daylight Opening	OM of Panel	+ 11 31/32	(304)			+ 6	(152)
<b>Glass</b>		<b>in</b>	<b>mm</b>			<b>in</b>	<b>mm</b>
Daylight Opening	Glass	+ 1 5/16	(33)			+ 1 5/16	(33)

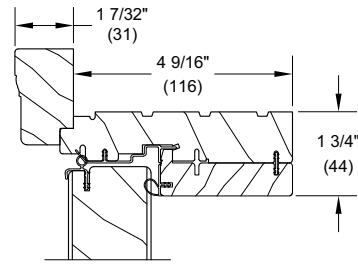
# Wood Commercial Door

## 1 3/4" Commercial Section Details: Operating

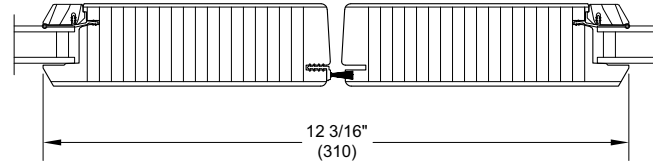
Scale: 3" = 1' 0"



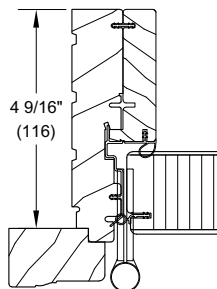
Head Jamb and Sill



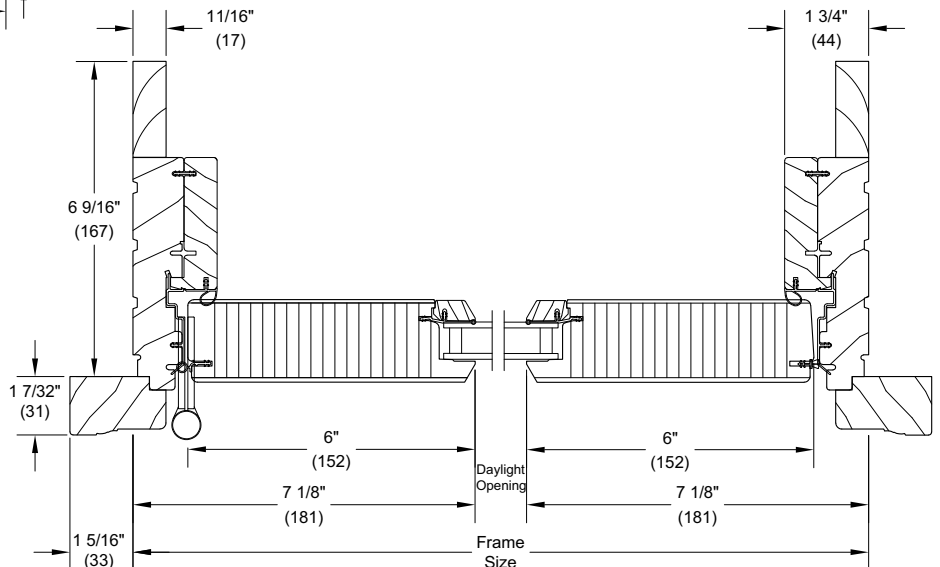
4 9/16" Head Jamb



XX - Meeting Stiles



4 9/16" Jamb

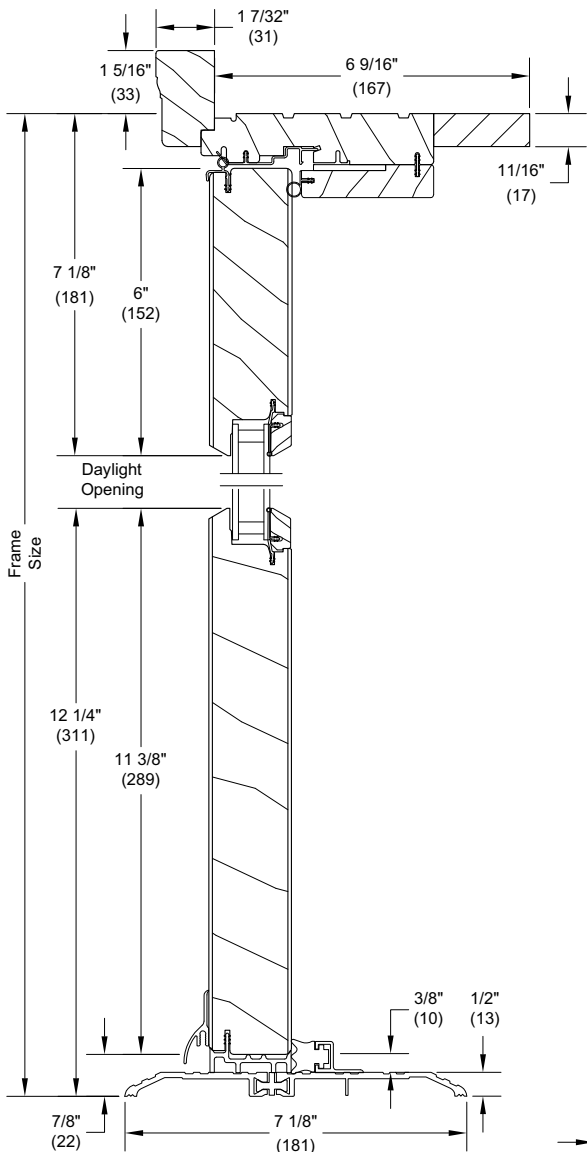


X - LHR - Jamb

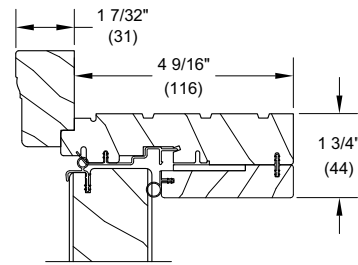
# Wood Commercial Door

## 1 3/4" Commercial Section Details: Stationary and Sidelite

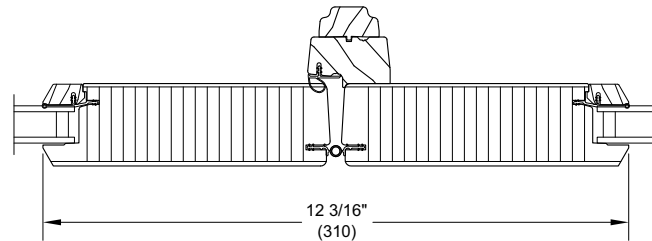
Scale: 3" = 1' 0"



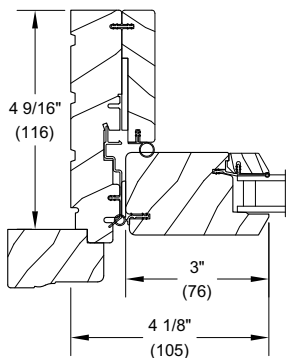
Head Jamb and Sill



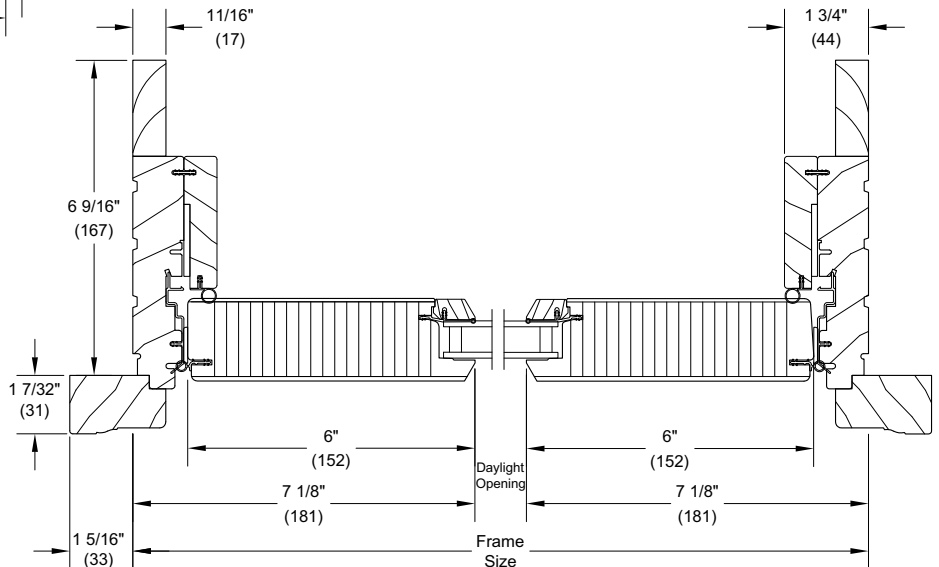
4 9/16" Head Jamb



OO - Meeting Stiles



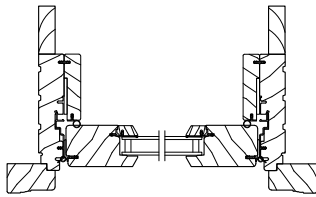
O Jamb  
3" Stile



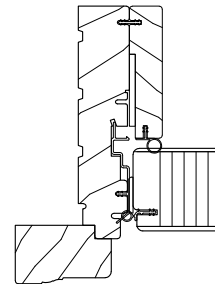
O - Jamb

**1 3/4" Commercial Section Details: Panel Configurations**

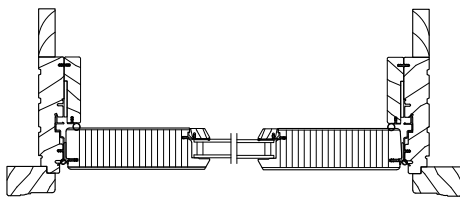
Scale: 1 1/2" = 1'



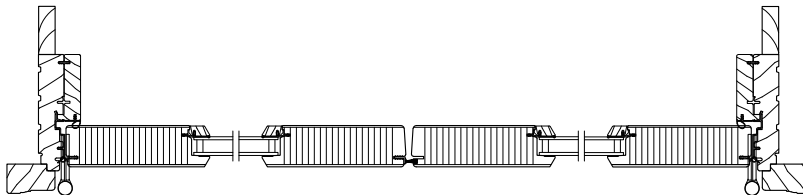
Sidelite Jamb



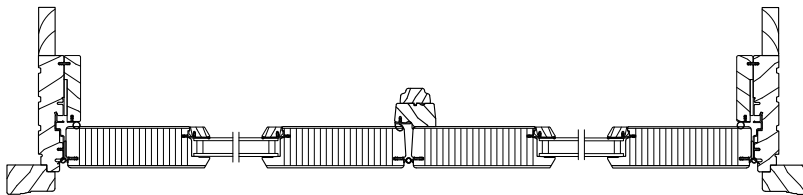
4 9/16" - Jamb  
Scale: 3" = 1'-0"



O Jamb



XX - RHRA Jamb



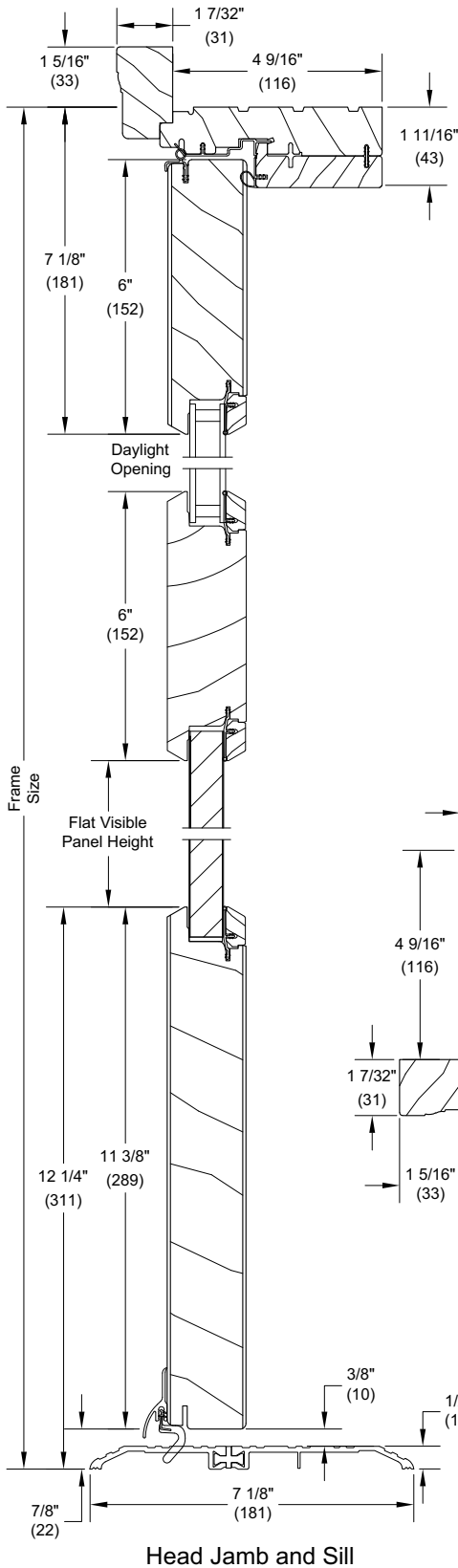
OO Jamb



# Wood Commercial Door

## 1 3/4" Commercial Section Details: Flat Panel Placement

Scale: 3" = 1' 0"

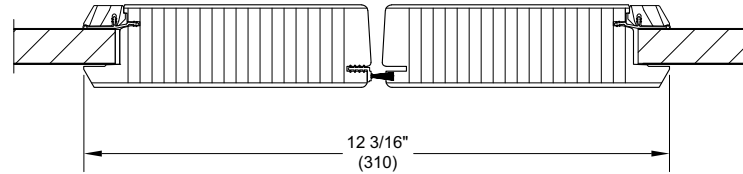


### Flat Panel - Standard Configuration/ Low Placement

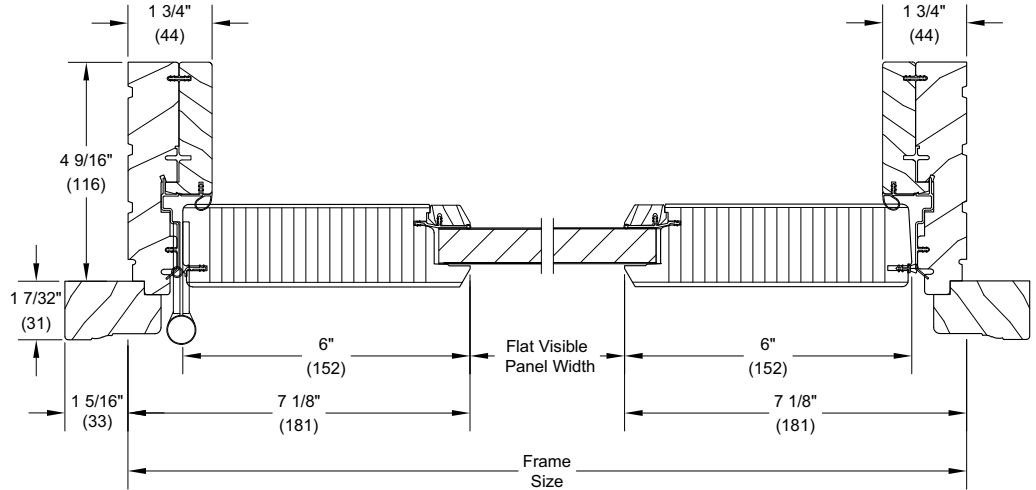
6" intermediate rail placed 26" (660) O.C. from bottom of the door sill with 10 13/16" (275) visible panel height.

### Flat Panel - Standard Configuration/ High Placement

6" intermediate rail placed 40 5/16" (1024) O.C. from bottom of the door sill with 25 1/8" (638) visible panel height.



XX - Meeting Stiles

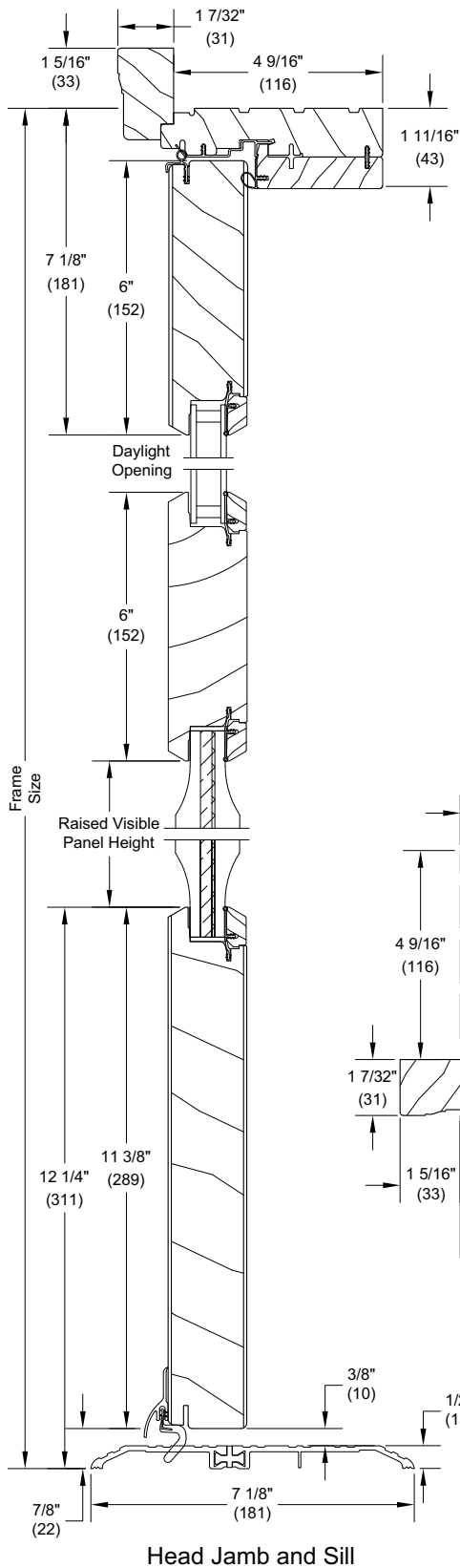


X - LHR - Jamb

# Wood Commercial Door

## 1 3/4" Commercial Section Details: Raised Panel Placement

Scale: 3" = 1' 0"

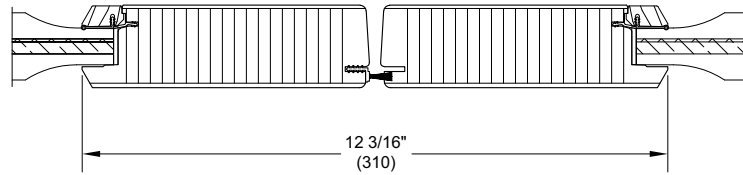


### Raised Panel - Standard Configuration / Low Placement

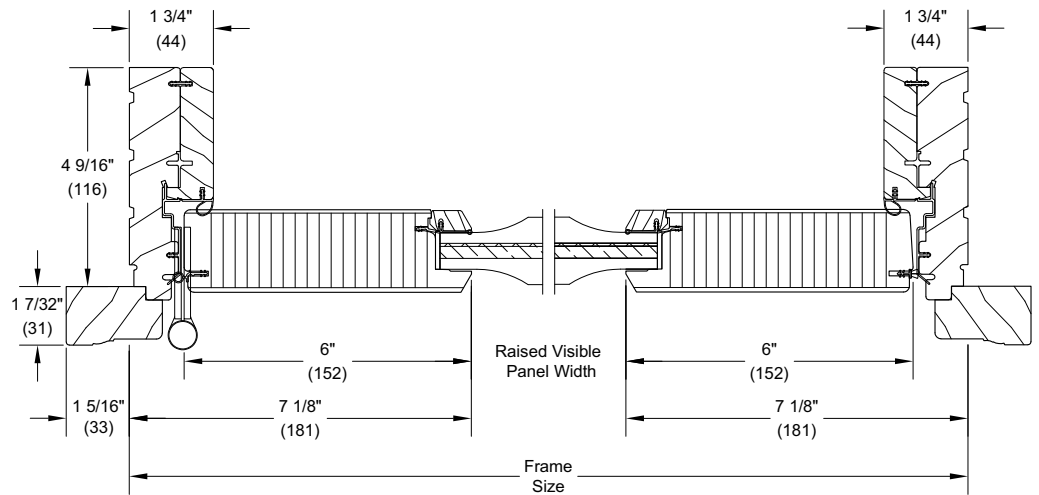
6" intermediate rail placed 26" (660) O.C. from bottom of the door sill with 10 13/16" (275) visible panel height.

### Raised Panel - Standard Configuration / High Placement

6" intermediate rail placed 40 5/16" (1024) O.C. from bottom of the door sill with 25 1/8" (638) visible panel height.



XX - Meeting Stiles

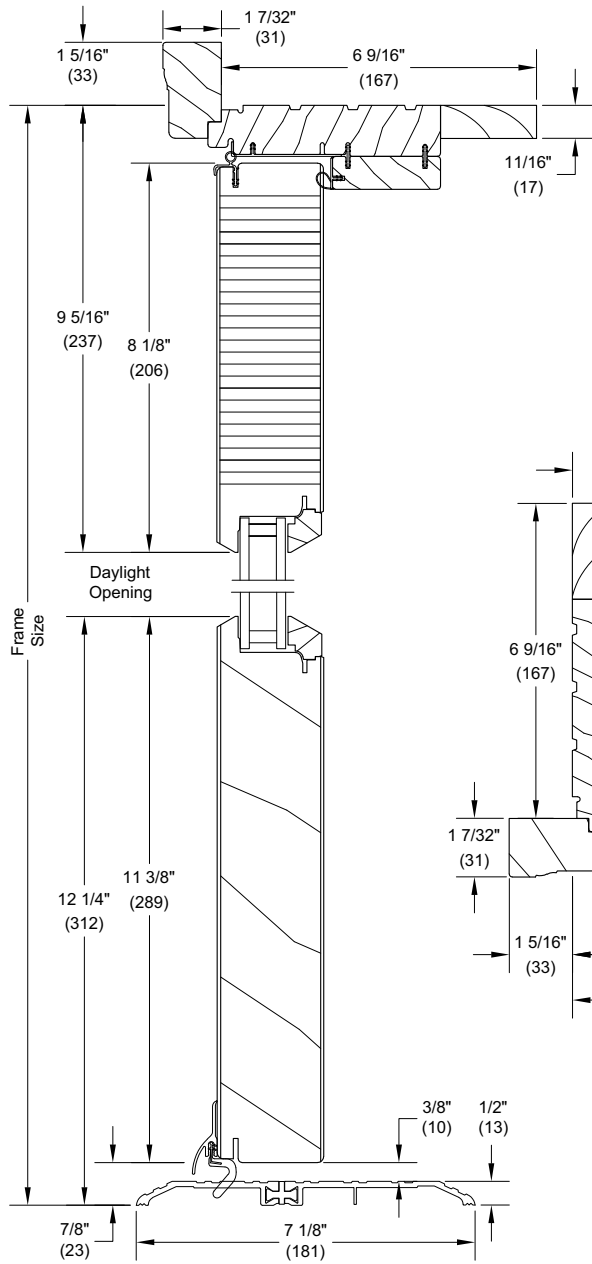


X - LHR - Jamb

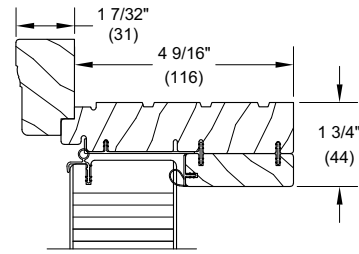
# Wood Commercial Door

## 2 1/4" Commercial Section Details: Operating

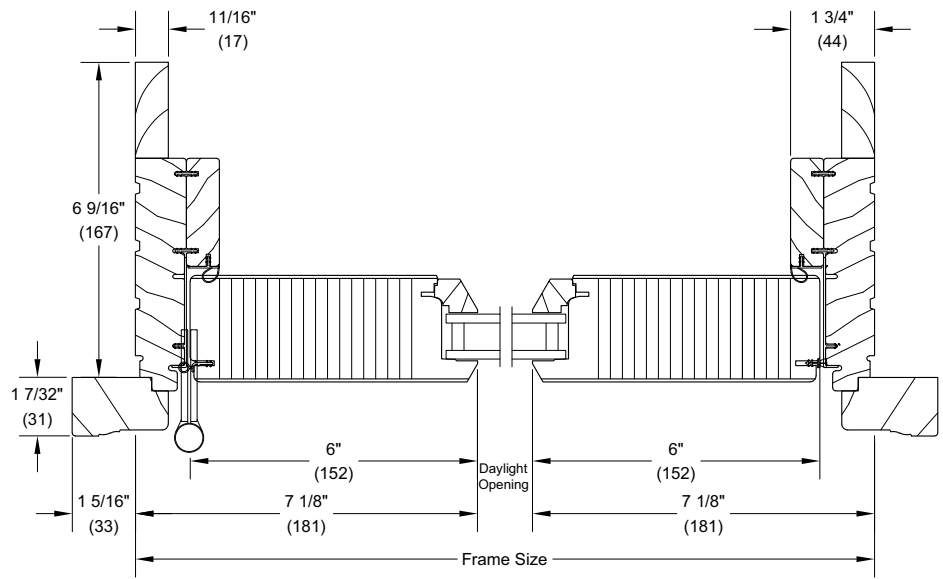
Scale: 3" = 1' 0"



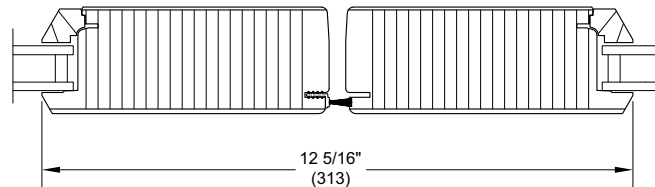
Head Jamb and Sill



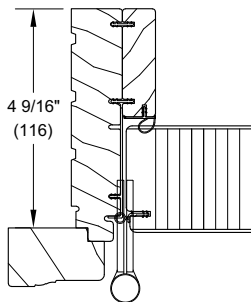
4 9/16" Head Jamb



X - LHR - Jamb



XX - Meeting Stiles

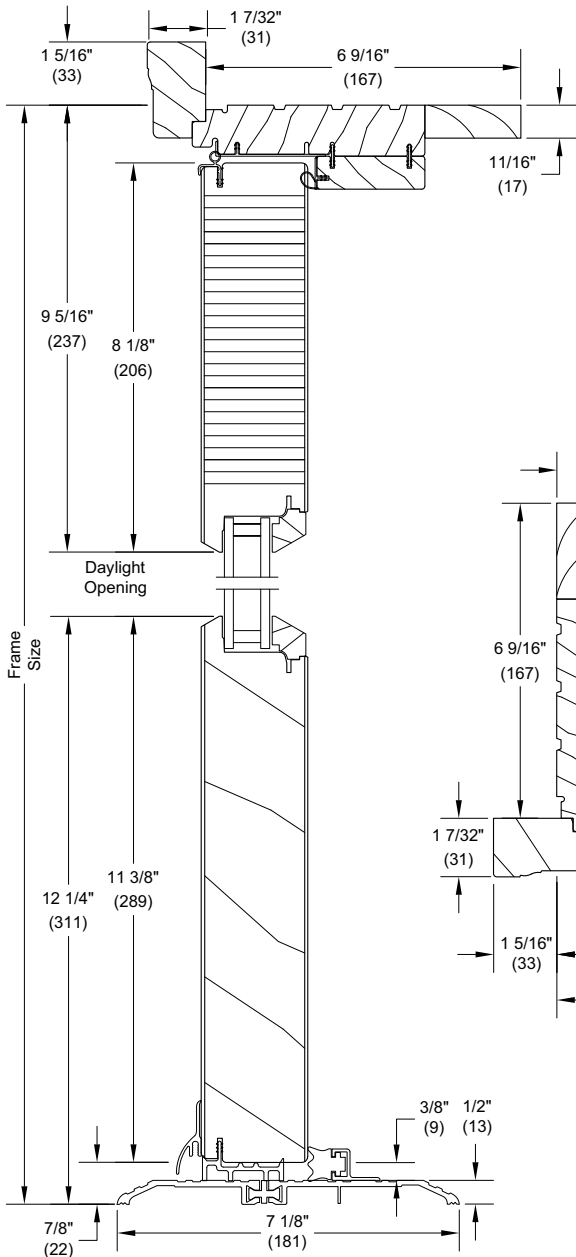


4 9/16" Jamb

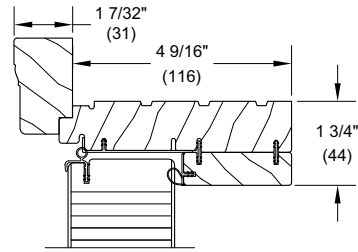
# Wood Commercial Door

## 2 1/4" Commercial Section Details: Stationary and Sidelite

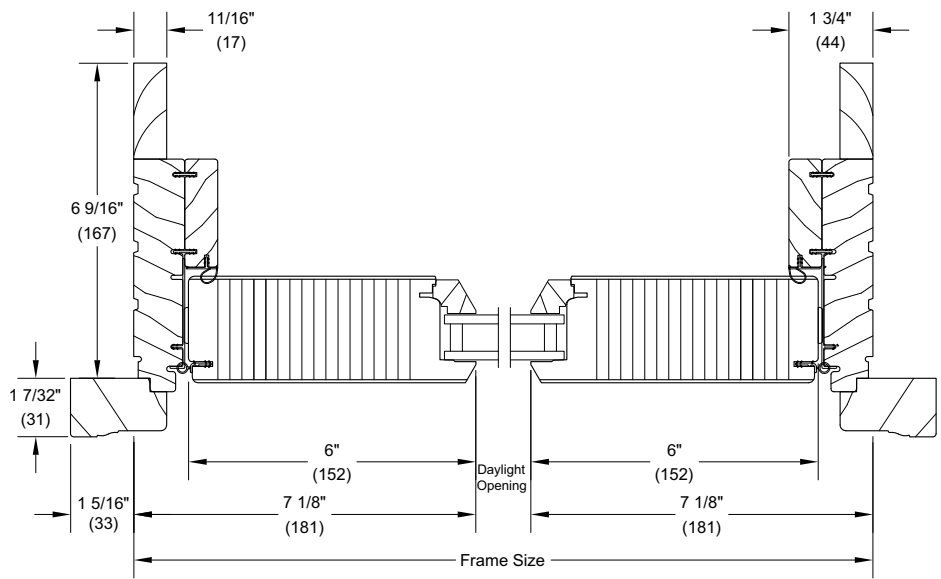
Scale: 3" = 1' 0"



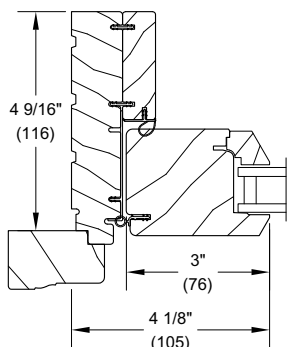
Head Jamb and Sill



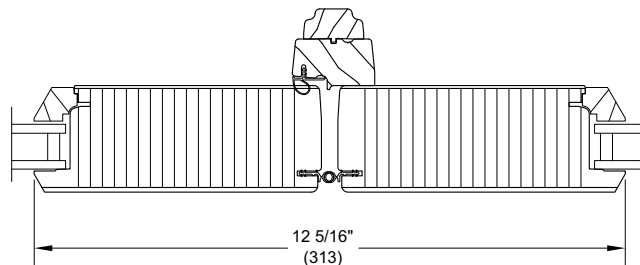
4 9/16" Head Jamb



O - Jamb



O Jamb 3" Stile

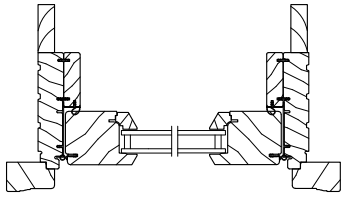


OO - Meeting Stiles

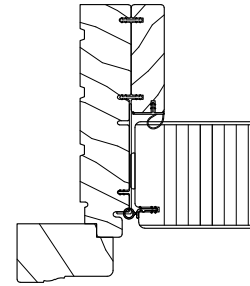
# Wood Commercial Door

## 2 1/4" Commercial Section Details: Panel Configurations

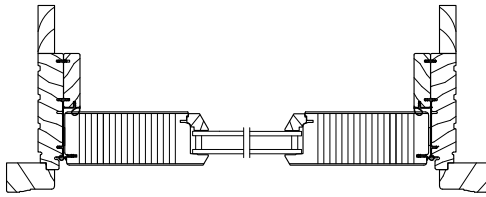
Scale: 1 1/2" = 1'



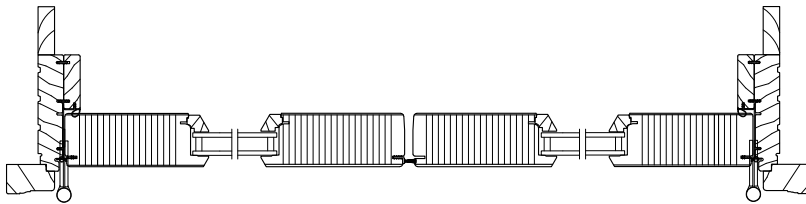
Sidelite Jamb



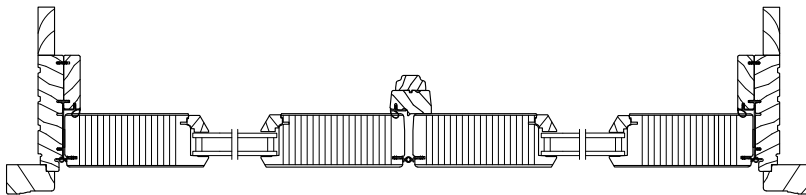
4 9/16" - Jamb  
Scale: 3" = 1'-0"



O Jamb



XX - RHRA Jamb

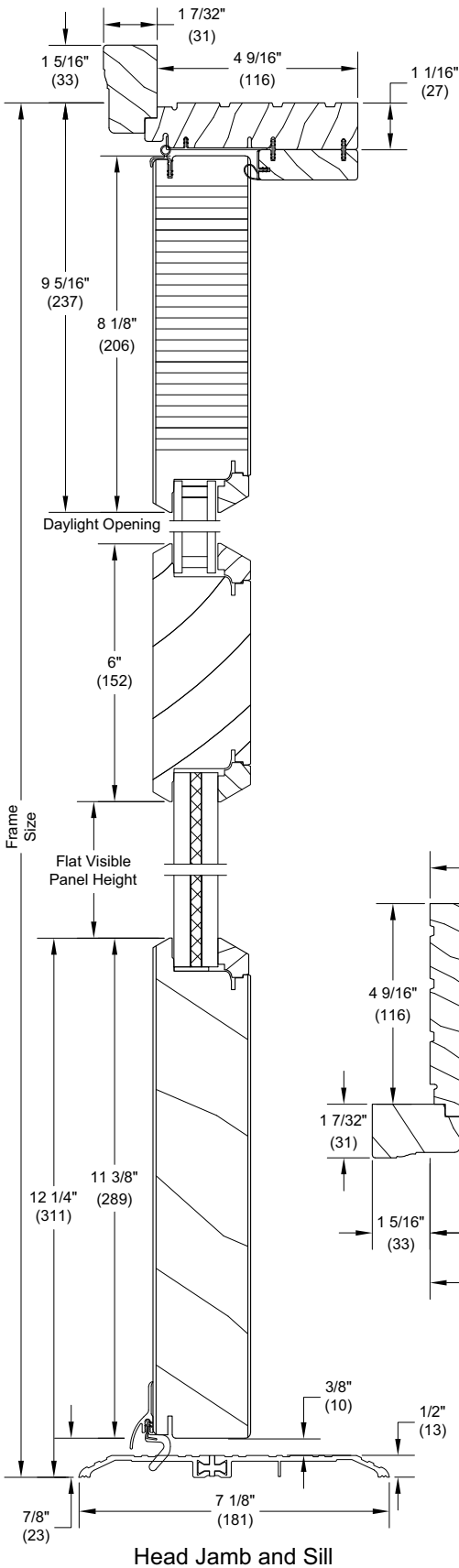


OO Jamb

# Wood Commercial Door

## 2 1/4" Commercial Section Details: Flat Panel Placement

Scale: 3" = 1' 0"

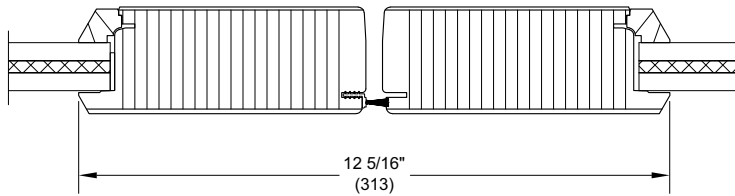


### Flat Panel - Standard Configuration/ Low Placement

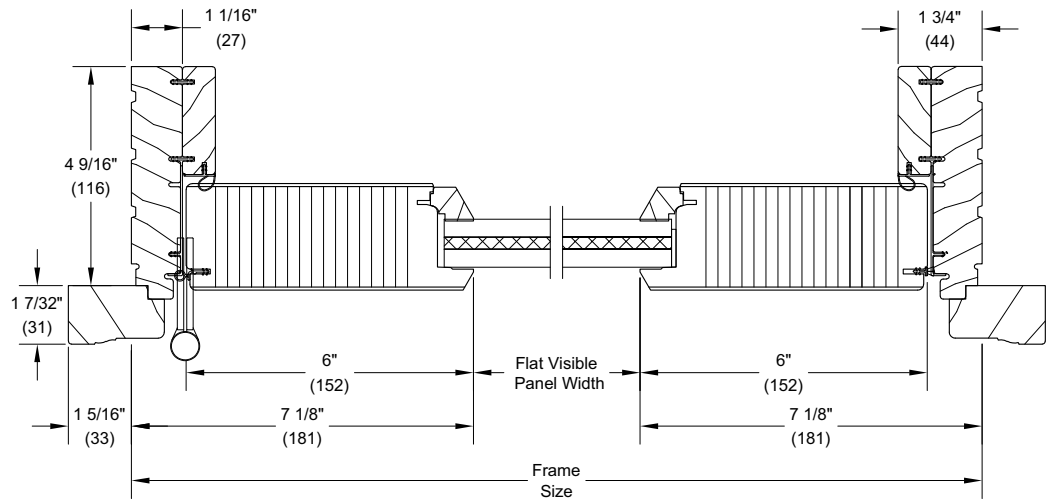
6" intermediate rail placed 26" (660) O.C. from bottom of the door sill with 10 13/16" (275) visible panel height.

### Flat Panel - Standard Configuration/ High Placement

6" intermediate rail placed 40 5/16" (1024) O.C. from bottom of the door sill with 25 1/8" (638) visible panel height.



XX - Meeting Stiles

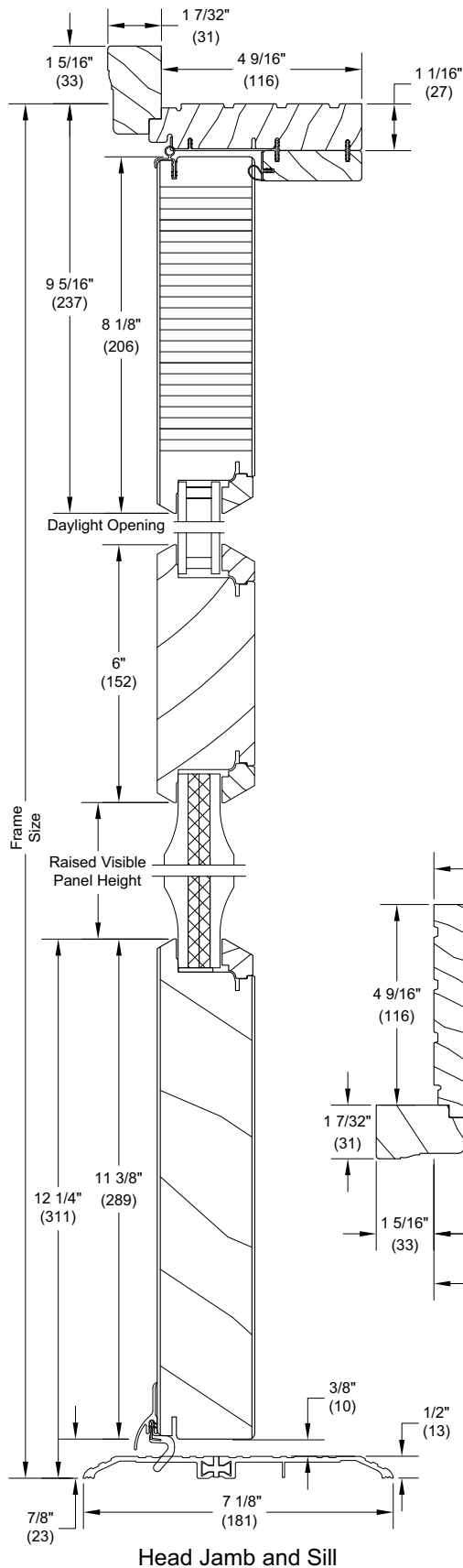


X - LHR - Jamb

# Wood Commercial Door

## 2 1/4" Commercial Section Details: Raised Panel Placement

Scale: 3" = 1' 0"

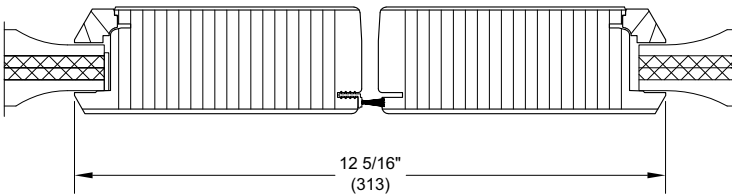


### Raised Panel - Standard Configuration / Low Placement

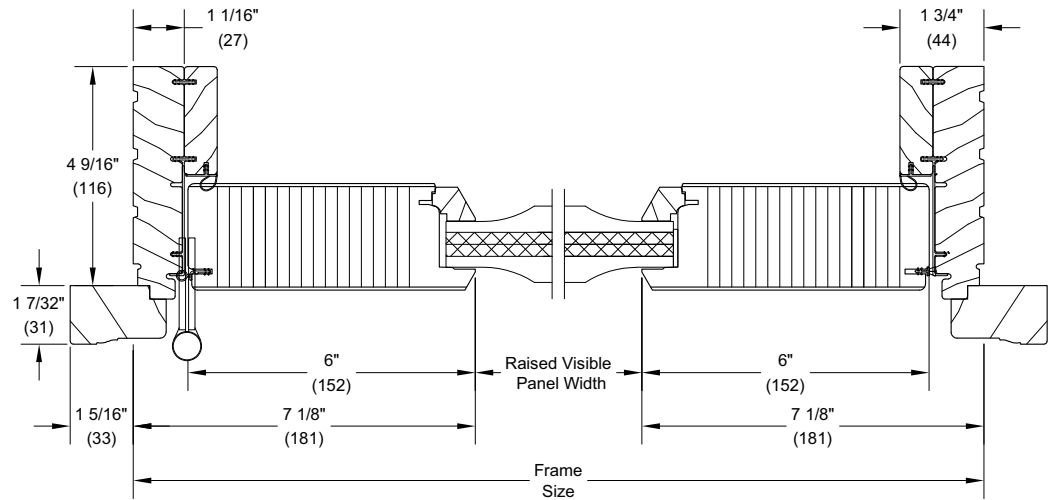
6" intermediate rail placed 26" (660) O.C. from bottom of the door sill with 10 13/16" (275) visible panel height.

### Raised Panel - Standard Configuration / High Placement

6" intermediate rail placed 40 5/16" (1024) O.C. from bottom of the door sill with 25 1/8" (638) visible panel height.



XX - Meeting Stiles

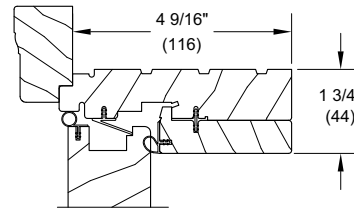
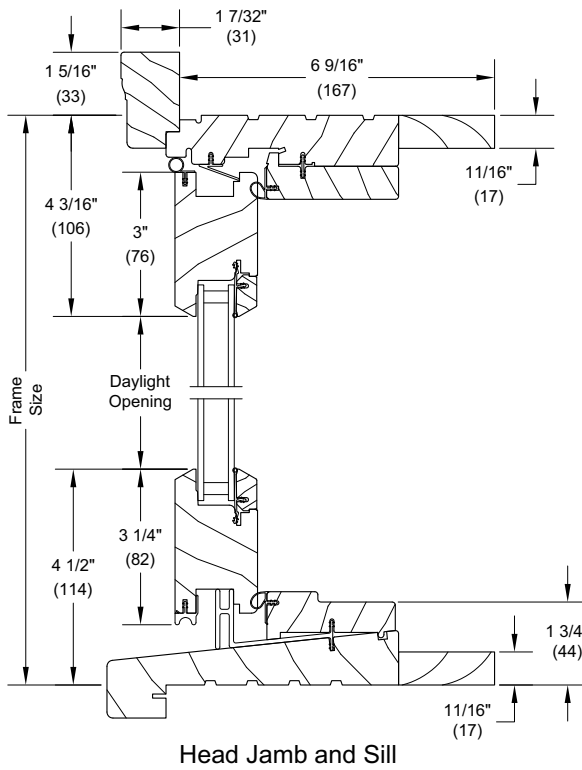


X - LHR - Jamb

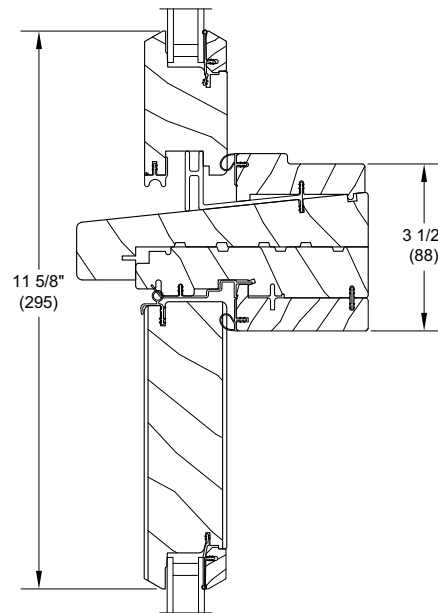
# Wood Commercial Door

## 1 3/4" and 2 1/4" Commercial Section Details: In-Sash Transom

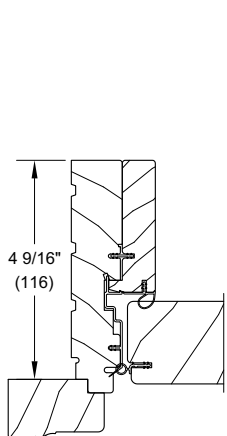
Scale: 3" = 1' 0"



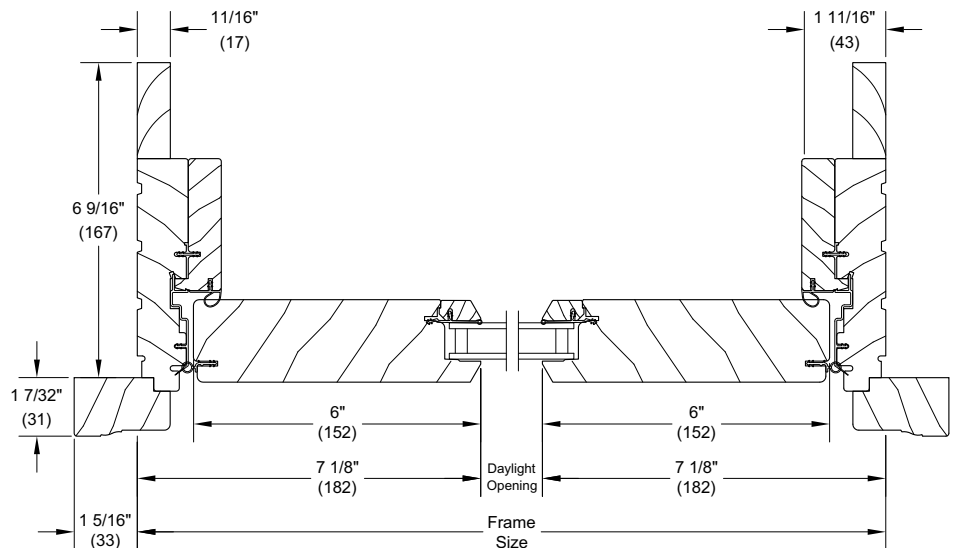
4 9/16" In-Sash Transom  
Head Jamb



Rectangular In-Sash Transom  
over 1 3/4" Commercial Door w/ 6 9/16" Jamb



In-Sash Transom Jamb  
3" Stile



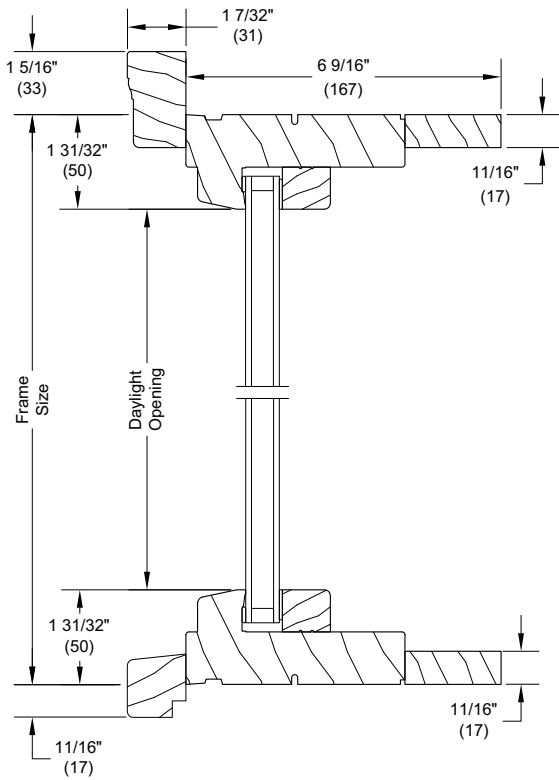
In-Sash Transom Jamb



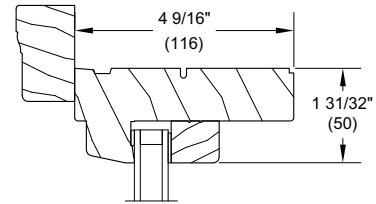
# Wood Commercial Door

## 1 3/4" and 2 1/4" Commercial Section Details: Direct Glaze Transom

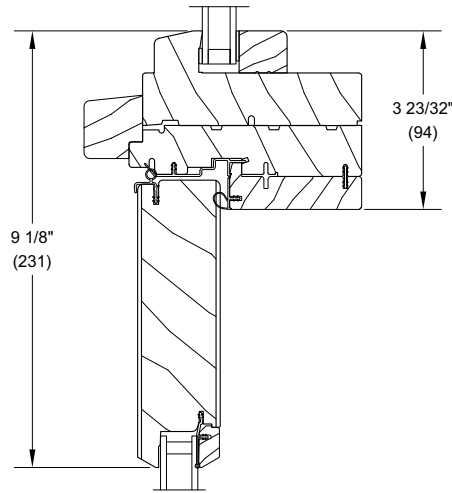
Scale: 3" = 1' 0"



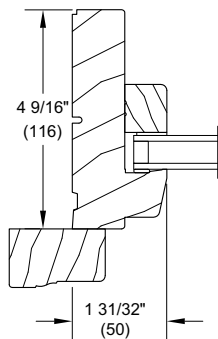
Head Jamb and Sill



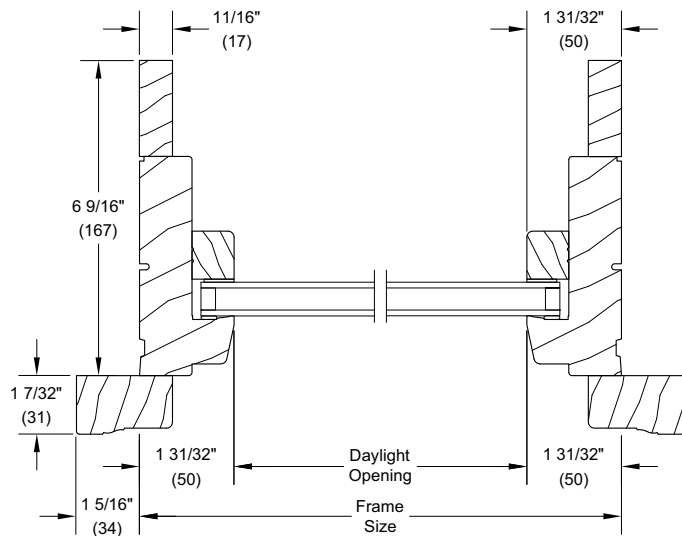
4 9/16" Direct Glaze Head Jamb



Rectangular Direct Glaze Transom  
over 1 3/4" Commercial Door w/ 4 9/16" Jamb



4 9/16" Side Jamb



Direct Glaze Transom Jamb