

# Clad Ultimate Push Out French Casement

Unit Features.....	1
Egress and Vent Openings .....	2
Daylight Measurements.....	3
Minimum and Maximum Guidelines, Certified Sizes and Rating.....	4
Conversion Table .....	5
Standard Unit Measurements.....	6
Section Details: 3/4" IG Operator - Full Frame.....	7
Section Details: 3/4" IG Stationary - Full Frame.....	8
Section Details: 1" IG Operating - Full Frame .....	9
Section Details: 1" IG Stationary - Full Frame.....	10
Section Details: 3/4" IG and 1" IG Operator/Stationary Wide Bottom Rail Option .....	11
Section Details: Casing, and 6 9/16" Jambs - Full Frame .....	12
Section Details: 3/4" IG Operator w/ Nailing Fin and Sill Riser - Replacement Frame.....	13
Section Details: 3/4" IG Operator w/ No Nailing Fin - Replacement Frame .....	14
Section Details: Push Out Replacement French Casement in existing Casement Frame.....	15
Section Details: Push Out Replacement French Casement in existing Double Hung Frame .....	16
Section Details: Clad Applications - CUPRFCA.....	17



## Clad Ultimate Push Out French Casement

### Unit Features

Clad Ultimate Push Out French Casement: CUPFCA

Clad Ultimate Push Out Replacement French Casement: CUPRFCA

*NOTE: Clad Ultimate Push Out French Casement is not available with CE mark.*

Clad Push Out French Casement units feature two (2) sashes, that when open there is no mull post in the middle.  
(LH-Primary sash from exterior) (RH -Secondary sash from exterior)

### CUPFCA Hardware

- The primary sash includes a multi-point lock system with head, sill and into the jamb or stile of secondary sash.
- Shoot bolts mounted flush to the side of the sash stile.
- The secondary sash includes a lock system with head and sill shoot bolts mounted flush to the side of the sash stile.
- The primary and secondary sash shoot bolts engage with a strike plate which is surface mounted to the head and sill.
- The lock systems for both primary and secondary sash are each actuated by a single lock handle mounted on the interior face of the stile.
- The Push Out actuator lock is available in Brass (plated), Antique Brass (plated), and Satin Nickel (plated).
- The Push Out model features a robust adjustable friction limiter device to hold and lock the sash at multiple points.
- The hinges for CUPFCA are connected to the sill and to the head jamb and are coated with E-Guard®. The hinges on 36" (914) wide to under 40" (1016) do not feature the wash/egress option, and use a 10" Dyad Hinge. Units that are 40" (1016) to under 51" (1295) use an 18" wash/egress hinge and units that are 51" (1295) to under 60" (1524) use a 22" wash/egress hinge.
- Coastal packages (stainless steel hinges) are also available.

Egress and Vent Openings

CN	Clear Opening Width		Clear Opening Height		Egress Opening			Opening Vent Width		Opening Vent Height		Vent Opening	
	ft - in	mm	ft - in	mm	ft <sup>2</sup>	m <sup>2</sup>	E	ft - in	mm	ft - in	mm	ft <sup>2</sup>	m <sup>2</sup>
3632	1-8 7/8	(530)	2-3 5/64	(688)	3.93	(0.36)		2-8 15/16	(837)	2-3 5/64	(688)	6.19	(0.58)
3636	1-8 7/8	(530)	2-7 5/64	(789)	4.51	(0.42)		2-8 15/16	(837)	2-7 5/64	(789)	7.11	(0.66)
3640	1-8 7/8	(530)	2-11 5/64	(891)	5.09	(0.47)		2-8 15/16	(837)	2-11 5/64	(891)	8.02	(0.75)
3644	1-8 7/8	(530)	3-3 5/64	(993)	5.67	(0.53)		2-8 15/16	(837)	3-3 5/64	(993)	8.94	(0.83)
3648	1-8 7/8	(530)	3-7 5/64	(1094)	6.25	(0.58)	E	2-8 15/16	(837)	3-7 5/64	(1094)	9.85	(0.92)
3654	1-8 7/8	(530)	4-1 5/64	(1247)	7.12	(0.66)	E	2-8 15/16	(837)	4-1 5/64	(1247)	11.23	(1.04)
3656	1-8 7/8	(530)	4-3 5/64	(1297)	7.41	(0.69)	E	2-8 15/16	(837)	4-3 5/64	(1297)	11.68	(1.09)
3660	1-8 7/8	(530)	4-7 5/64	(1399)	7.99	(0.74)	E	2-8 15/16	(837)	4-7 5/64	(1399)	12.60	(1.17)
3664	1-8 7/8	(530)	4-11 5/64	(1501)	8.57	(0.80)	E	2-8 15/16	(837)	4-11 5/64	(1501)	13.51	(1.26)
3672 T	1-8 7/8	(530)	5-7 5/64	(1704)	9.73	(0.90)	E	2-8 15/16	(837)	5-7 5/64	(1704)	15.34	(1.43)
4032	2-5 27/32	(758)	2-3 5/64	(688)	5.61	(0.52)		3-0 15/16	(938)	2-3 5/64	(688)	6.95	(0.65)
4036	2-5 27/32	(758)	2-7 5/64	(789)	6.44	(0.60)	E	3-0 15/16	(938)	2-7 5/64	(789)	7.97	(0.74)
4040	2-5 27/32	(758)	2-11 5/64	(891)	7.27	(0.68)	E	3-0 15/16	(938)	2-11 5/64	(891)	9.00	(0.84)
4044	2-5 27/32	(758)	3-3 5/64	(993)	8.10	(0.75)	E	3-0 15/16	(938)	3-3 5/64	(993)	10.02	(0.93)
4048	2-5 27/32	(758)	3-7 5/64	(1094)	8.93	(0.83)	E	3-0 15/16	(938)	3-7 5/64	(1094)	11.05	(1.03)
4054	2-5 27/32	(758)	4-1 5/64	(1247)	10.17	(0.95)	E	3-0 15/16	(938)	4-1 5/64	(1247)	12.59	(1.17)
4056	2-5 27/32	(758)	4-3 5/64	(1297)	10.59	(0.98)	E	3-0 15/16	(938)	4-3 5/64	(1297)	13.10	(1.22)
4060	2-5 27/32	(758)	4-7 5/64	(1399)	11.42	(1.06)	E	3-0 15/16	(938)	4-7 5/64	(1399)	14.13	(1.31)
4064	2-5 27/32	(758)	4-11 5/64	(1501)	12.25	(1.14)	E	3-0 15/16	(938)	4-11 5/64	(1501)	15.15	(1.41)
4072 T	2-5 27/32	(758)	5-7 5/64	(1704)	13.90	(1.29)	E	3-0 15/16	(938)	5-7 5/64	(1704)	17.21	(1.60)
4832	3-1 27/32	(961)	2-3 5/64	(688)	7.12	(0.66)	E	3-8 15/16	(1141)	2-3 5/64	(688)	8.45	(0.79)
4836	3-1 27/32	(961)	2-7 5/64	(789)	8.17	(0.76)	E	3-8 15/16	(1141)	2-7 5/64	(789)	9.70	(0.90)
4840	3-1 27/32	(961)	2-11 5/64	(891)	9.22	(0.86)	E	3-8 15/16	(1141)	2-11 5/64	(891)	10.95	(1.02)
4844	3-1 27/32	(961)	3-3 5/64	(993)	10.27	(0.95)	E	3-8 15/16	(1141)	3-3 5/64	(993)	12.20	(1.13)
4848	3-1 27/32	(961)	3-7 5/64	(1094)	11.32	(1.05)	E	3-8 15/16	(1141)	3-7 5/64	(1094)	13.44	(1.25)
4854	3-1 27/32	(961)	4-1 5/64	(1247)	12.90	(1.20)	E	3-8 15/16	(1141)	4-1 5/64	(1247)	15.32	(1.42)
4856	3-1 27/32	(961)	4-3 5/64	(1297)	13.42	(1.25)	E	3-8 15/16	(1141)	4-3 5/64	(1297)	15.94	(1.48)
4860	3-1 27/32	(961)	4-7 5/64	(1399)	14.48	(1.34)	E	3-8 15/16	(1141)	4-7 5/64	(1399)	17.19	(1.60)
4864	3-1 27/32	(961)	4-11 5/64	(1501)	15.53	(1.44)	E	3-8 15/16	(1141)	4-11 5/64	(1501)	18.44	(1.71)
4872 T	3-1 27/32	(961)	5-7 5/64	(1704)	17.63	(1.64)	E	3-8 15/16	(1141)	5-7 5/64	(1704)	20.93	(1.94)
5632	3-9 27/32	(1164)	2-3 5/64	(688)	8.62	(0.80)	E	4-4 15/16	(1345)	2-3 5/64	(688)	9.96	(0.92)
5636	3-9 27/32	(1164)	2-7 5/64	(789)	9.90	(0.92)	E	4-4 15/16	(1345)	2-7 5/64	(789)	11.43	(1.06)
5640	3-9 27/32	(1164)	2-11 5/64	(891)	11.17	(1.04)	E	4-4 15/16	(1345)	2-11 5/64	(891)	12.90	(1.20)
5644	3-9 27/32	(1164)	3-3 5/64	(993)	12.44	(1.16)	E	4-4 15/16	(1345)	3-3 5/64	(993)	14.37	(1.33)
5648	3-9 27/32	(1164)	3-7 5/64	(1094)	13.72	(1.27)	E	4-4 15/16	(1345)	3-7 5/64	(1094)	15.84	(1.47)
5654	3-9 27/32	(1164)	4-1 5/64	(1247)	15.63	(1.45)	E	4-4 15/16	(1345)	4-1 5/64	(1247)	18.04	(1.68)
5656	3-9 27/32	(1164)	4-3 5/64	(1297)	16.26	(1.51)	E	4-4 15/16	(1345)	4-3 5/64	(1297)	18.78	(1.74)
5660	3-9 27/32	(1164)	4-7 5/64	(1399)	17.54	(1.63)	E	4-4 15/16	(1345)	4-7 5/64	(1399)	20.25	(1.88)
5664	3-9 27/32	(1164)	4-11 5/64	(1501)	18.81	(1.75)	E	4-4 15/16	(1345)	4-11 5/64	(1501)	21.72	(2.02)
5672 T	3-9 27/32	(1164)	5-7 5/64	(1704)	21.36	(1.98)	E	4-4 15/16	(1345)	5-7 5/64	(1704)	24.66	(2.29)
6032	4-1 27/32	(1266)	2-3 5/64	(688)	9.37	(0.87)	E	4-8 15/16	(1446)	2-3 5/64	(688)	10.71	(0.99)
6036	4-1 27/32	(1266)	2-7 5/64	(789)	10.76	(1.00)	E	4-8 15/16	(1446)	2-7 5/64	(789)	12.29	(1.14)
6040	4-1 27/32	(1266)	2-11 5/64	(891)	12.14	(1.13)	E	4-8 15/16	(1446)	2-11 5/64	(891)	13.87	(1.29)
6044	4-1 27/32	(1266)	3-3 5/64	(993)	13.53	(1.26)	E	4-8 15/16	(1446)	3-3 5/64	(993)	15.45	(1.44)
6048	4-1 27/32	(1266)	3-7 5/64	(1094)	14.91	(1.39)	E	4-8 15/16	(1446)	3-7 5/64	(1094)	17.03	(1.58)
6054	4-1 27/32	(1266)	4-1 5/64	(1247)	16.99	(1.58)	E	4-8 15/16	(1446)	4-1 5/64	(1247)	19.41	(1.80)
6056	4-1 27/32	(1266)	4-3 5/64	(1297)	17.68	(1.64)	E	4-8 15/16	(1446)	4-3 5/64	(1297)	20.20	(1.88)
6060	4-1 27/32	(1266)	4-7 5/64	(1399)	19.07	(1.77)	E	4-8 15/16	(1446)	4-7 5/64	(1399)	21.78	(2.02)
6064 T	4-1 27/32	(1266)	4-11 5/64	(1501)	20.45	(1.90)	E	4-8 15/16	(1446)	4-11 5/64	(1501)	23.36	(2.17)
6072 T	4-1 27/32	(1266)	5-7 5/64	(1704)	23.22	(2.16)	E	4-8 15/16	(1446)	5-7 5/64	(1704)	26.52	(2.46)

Daylight Measurements

Clad Ultimate Push Out French Casement Daylight Measurements			Width										
			CN	36		40		48		56		60	
			DLO	1-0 55/64	(327)	1-2 55/64	(378)	1-6 55/64	(479)	1-10 55/64	(581)	2-0 55/64	(632)
CN	DLO Height	Square Feet (Square Meters)											
		Standard Bottom Rail											
32	2-2 9/32 (668)	2.26	(0.21)	2.61	(0.24)	3.32	(0.31)	4.02	(0.37)	4.37	(0.41)		
36	2-6 9/32 (769)	2.62	(0.24)	3.03	(0.28)	3.84	(0.36)	4.66	(0.43)	5.06	(0.47)		
40	2-10 9/32 (871)	2.98	(0.28)	3.44	(0.32)	4.37	(0.41)	5.29	(0.49)	5.76	(0.53)		
44	3-2 9/32 (972)	3.33	(0.31)	3.85	(0.36)	4.89	(0.45)	5.93	(0.55)	6.45	(0.60)		
48	3-6 9/32 (1074)	3.69	(0.34)	4.27	(0.40)	5.41	(0.50)	6.56	(0.61)	7.14	(0.66)		
54	4-0 9/32 (1226)	4.23	(0.39)	4.89	(0.45)	6.20	(0.58)	7.52	(0.70)	8.17	(0.76)		
56	4-2 9/32 (1277)	4.41	(0.41)	5.09	(0.47)	6.46	(0.60)	7.83	(0.73)	8.52	(0.79)		
60	4-6 9/32 (1379)	4.76	(0.44)	5.50	(0.51)	6.99	(0.65)	8.47	(0.79)	9.21	(0.86)		
64	4-10 9/32 (1480)	5.12	(0.48)	5.92	(0.55)	7.51	(0.70)	9.10	(0.85)	9.90	(0.92)		
72	5-6 9/32 (1684)	5.84	(0.54)	6.74	(0.63)	8.56	(0.80)	10.37	(0.96)	11.28	(1.05)		
		Tall Bottom Rail											
32	2-1 21/64 (643)	2.13	(0.20)	2.46	(0.23)	3.12	(0.29)	3.78	(0.35)	4.11	(0.38)		
36	2-5 21/64 (745)	2.49	(0.23)	2.87	(0.27)	3.65	(0.34)	4.42	(0.41)	4.81	(0.45)		
40	2-9 21/64 (847)	2.84	(0.26)	3.29	(0.31)	4.17	(0.39)	5.05	(0.47)	5.50	(0.51)		
44	3-1 21/64 (948)	3.20	(0.30)	3.70	(0.34)	4.69	(0.44)	5.69	(0.53)	6.19	(0.57)		
48	3-5 21/64 (1050)	3.56	(0.33)	4.11	(0.38)	5.22	(0.48)	6.32	(0.59)	6.88	(0.64)		
54	3-11 21/64 (1202)	4.09	(0.38)	4.73	(0.44)	6.00	(0.56)	7.28	(0.68)	7.91	(0.74)		
56	4-1 21/64 (1253)	4.27	(0.40)	4.94	(0.46)	6.27	(0.58)	7.59	(0.71)	8.26	(0.77)		
60	4-5 21/64 (1355)	4.63	(0.43)	5.35	(0.50)	6.79	(0.63)	8.23	(0.76)	8.95	(0.83)		
64	4-9 21/64 (1456)	4.99	(0.46)	5.76	(0.54)	7.31	(0.68)	8.86	(0.82)	9.64	(0.90)		
72	5-5 21/64 (1659)	5.70	(0.53)	6.59	(0.61)	8.36	(0.78)	10.13	(0.94)	11.02	(1.02)		

**Minimum and Maximum Guidelines, Certified Sizes and Rating**

Minimum and Maximum Guidelines, Certified, CE Marked									
Unit Type	Unit Option	Min Width		Min Height		Max Width		Max Height	
		in	mm	in	mm	in	mm	in	mm
CUPFCA	Std Bottom Rail	36	(914)	21	(533)	60	(1524)	71 1/8	(1807)
CUPRFCA	Std Bottom Rail	36	(914)	21	(533)	60	(1524)	71 1/8	(1807)

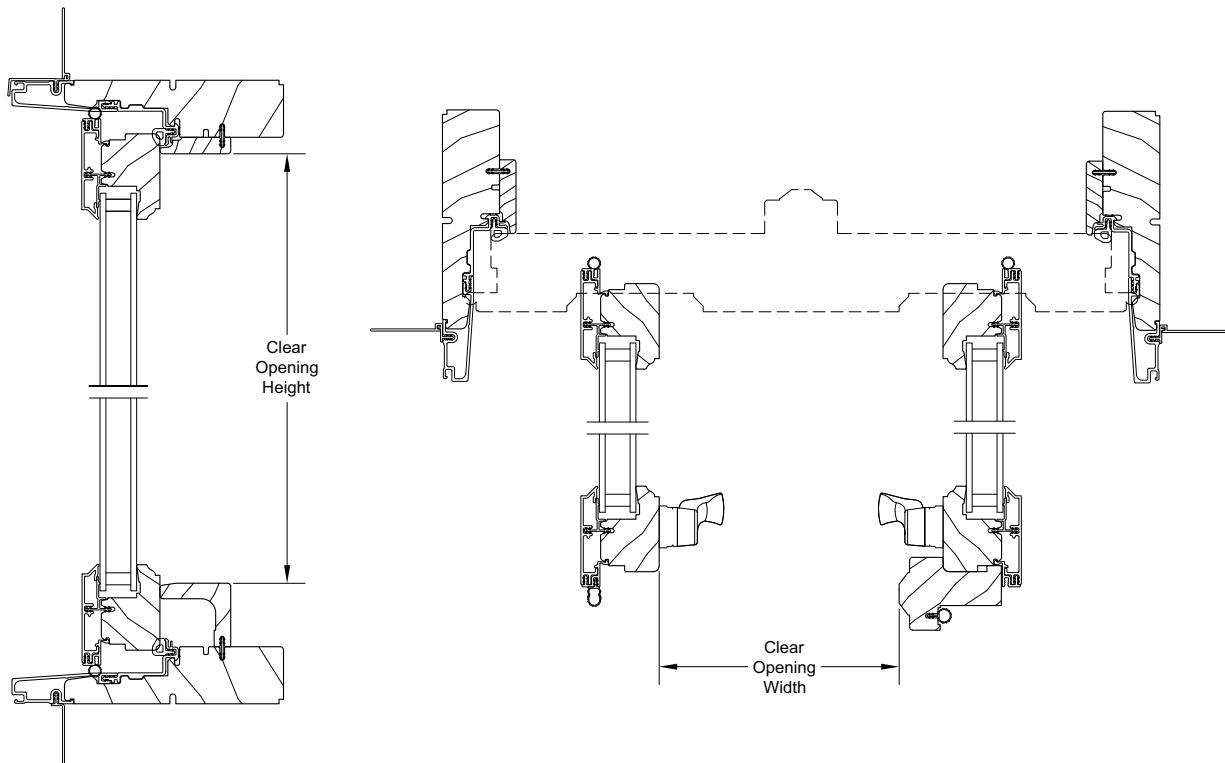
Minimum and Maximum Guidelines, Non-Certified, CE Marked									
Unit Type	Unit Option	Min Width		Min Height		Max Width		Max Height	
		in	mm	in	mm	in	mm	in	mm
CUPFCA	Std Bottom Rail	32	(813)	21	(533)	72	(1829)	96 1/2	(2451)
CUPRFCA	Std Bottom Rail	32	(813)	21	(533)	72	(1829)	96 1/2	(2451)

Product	Air Tested to psf	Water Tested to psf	Structural Overload Tested to psf	Certification Rating	Max Width In	Max Width mm	Max Height In	Max Height mm
Clad Ultimate French Casement 3/4" (Full Frame and Replacement)	1.57	7.5	75	LC-PG50	56	1422	59 1/8	1502
Clad Ultimate French Casement 3/4" (Full Frame and Replacement)	1.57	7.5	60	LC-PG40	56	1422	71 1/8	1806
Clad Ultimate French Casement 3/4" (Full Frame and Replacement)	1.57	7.5	60	LC-PG40	60	1524	71 1/8	1806

NOTE: For mulling guidelines, please contact your Marvin representative.

## Conversion Table

Unit Measurements		Width		Height		
From	To					
<b>Rough Opening</b>			<b>in</b>	<b>mm</b>	<b>in</b>	<b>mm</b>
OM of Frame	Rough Opening		+ 1	(25)	+ 1/2	(13)
Masonry Opening w/no BMC	Rough Opening		+ 1/2	(13)	+ 1/4	(06)
Masonry Opening w/BMC	Rough Opening		-2 1/8	(54)	-1 11/16	(43)
Masonry Opening w/Flat Casing	Rough Opening		-5 1/2	(140)	-3 3/8	(86)
Masonry Opening w/BMC (all sides)	Rough Opening		-2 1/8	(54)	-2 3/8	(60)
Masonry Opening w/Flat Casing (all sides)	Rough Opening		-5 1/2	(140)	-5 3/4	(146)
<b>Sash</b>			<b>in</b>	<b>mm</b>	<b>in</b>	<b>mm</b>
OM of Frame	OM of Sash	÷ 2	-1 11/16	(43)	-1 11/16	(43)
Daylight Opening (Std Btm Rail)	OM of Sash		+ 4 7/64	(104)	+ 4 7/64	(104)
Daylight Opening (Tall Btm Rail)	OM of Sash		+ 4 7/64	(104)	+ 5 39/64	(142)
<b>Glass</b>			<b>in</b>	<b>mm</b>	<b>in</b>	<b>mm</b>
Daylight Opening	Glass		+ 1 3/32	(28)	+ 1 3/32	(28)
<b>Screen</b>			<b>in</b>	<b>mm</b>	<b>in</b>	<b>mm</b>
OM of Frame	OM of Screen		-2 19/32	(66)	-3 33/64	(89)



# Clad Ultimate Push Out French Casement

## Standard Unit Measurements

Standard Ultimate Push Out French Casement Unit Measurements								
Width								
CN	Masonry Opening		Rough Opening		Frame Size		Daylight Opening	
	ft - in	mm	ft - in	mm	ft - in	mm	ft - in	mm
36	3-0 1/2	(927)	3-1	(940)	3-0	(914)	2-5 7/16	(748)
40	3-4 1/2	(1029)	3-5	(1041)	3-4	(1016)	2-5 7/16	(748)
48	4-0 1/2	(1232)	4-1	(1245)	4-0	(1219)	2-5 7/16	(748)
56	4-8 1/2	(1435)	4-9	(1448)	4-8	(1422)	2-5 7/16	(748)
60	5-0 1/2	(1537)	5-1	(1549)	5-0	(1524)	2-5 7/16	(748)

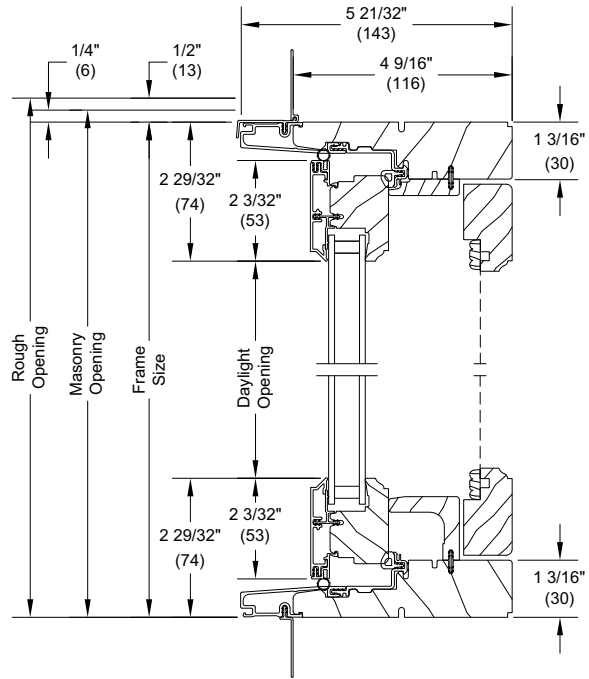
Standard Ultimate Push Out French Casement Unit Measurements										
Height										
CN	Masonry Opening		Rough Opening		Frame Size		Daylight Opening (Std Bottom Rail)		Daylight Opening (Tall Bottom Rail)	
	ft - in	mm	ft - in	mm	ft - in	mm	ft - in	mm	ft - in	mm
32	2-7 3/8	(797)	2-7 5/8	(803)	2-7 1/8	(791)	2-2 9/32	(668)	2-1 21/64	(643)
36	2-11 3/8	(899)	2-11 5/8	(905)	2-11 1/8	(892)	2-6 9/32	(769)	2-5 21/64	(745)
40	3-3 3/8	(1000)	3-3 5/8	(1006)	3-3 1/8	(994)	2-10 9/32	(871)	2-9 21/64	(847)
44	3-7 3/8	(1102)	3-7 5/8	(1108)	3-7 1/8	(1095)	3-2 9/32	(972)	3-1 21/64	(948)
48	3-11 3/8	(1203)	3-11 5/8	(1210)	3-11 1/8	(1197)	3-6 9/32	(1074)	3-5 21/64	(1050)
54	4-5 3/8	(1356)	4-5 5/8	(1362)	4-5 1/8	(1349)	4-0 9/32	(1226)	3-11 21/64	(1202)
56	4-7 3/8	(1407)	4-7 5/8	(1413)	4-7 1/8	(1400)	4-2 9/32	(1277)	4-1 21/64	(1253)
60	4-11 3/8	(1508)	4-11 5/8	(1514)	4-11 1/8	(1502)	4-6 9/32	(1379)	4-5 21/64	(1355)
64	5-3 3/8	(1610)	5-3 5/8	(1616)	5-3 1/8	(1603)	4-10 9/32	(1480)	4-9 21/64	(1456)
72	5-11 3/8	(1813)	5-11 5/8	(1819)	5-11 1/8	(1807)	5-6 9/32	(1684)	5-5 21/64	(1659)



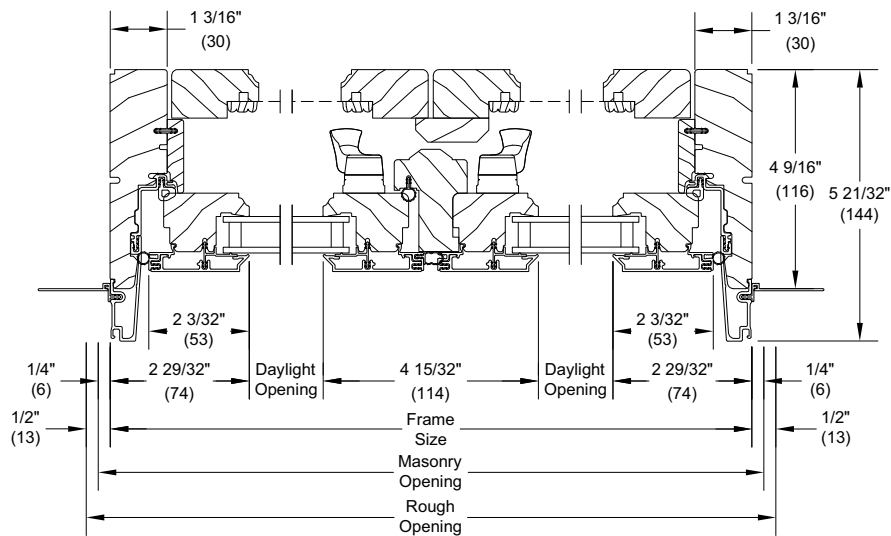
# Clad Ultimate Push Out French Casement

## Section Details: 3/4" IG Operator - Full Frame

Scale: 3" = 1' 0"



Head Jamb and Sill

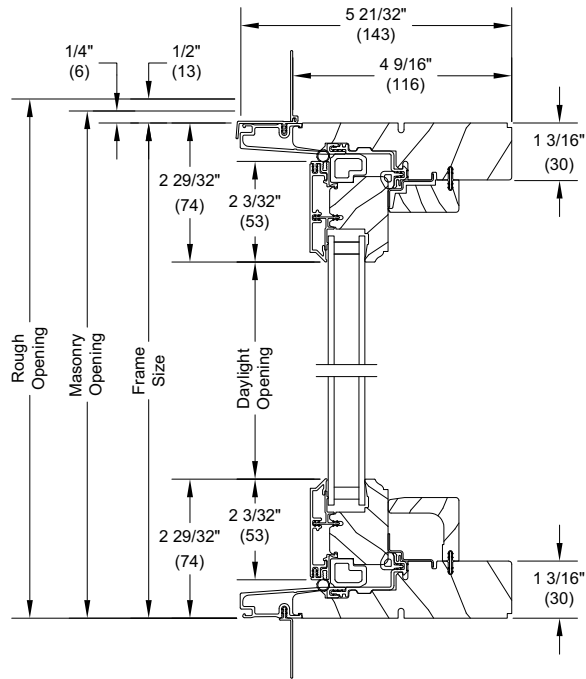


Jamb

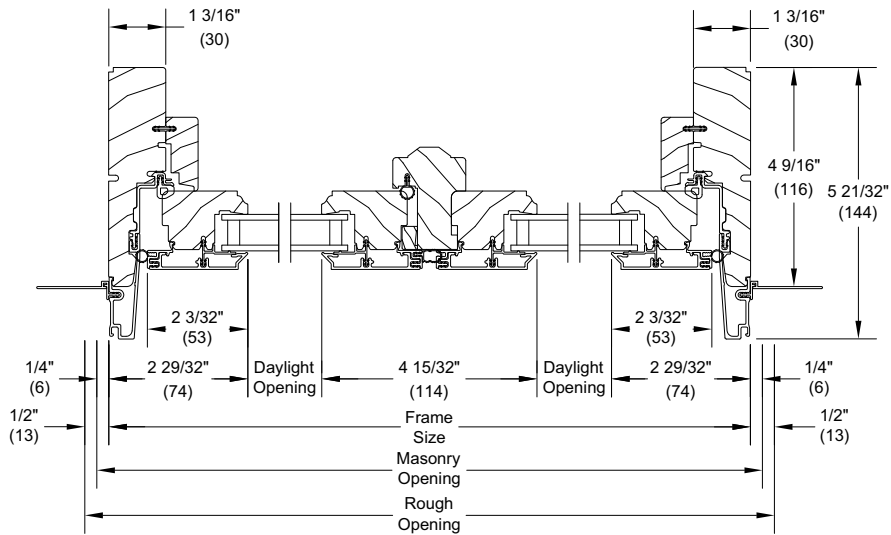
# Clad Ultimate Push Out French Casement

## Section Details: 3/4" IG Stationary - Full Frame

Scale: 3" = 1' 0"



Head Jamb and Sill

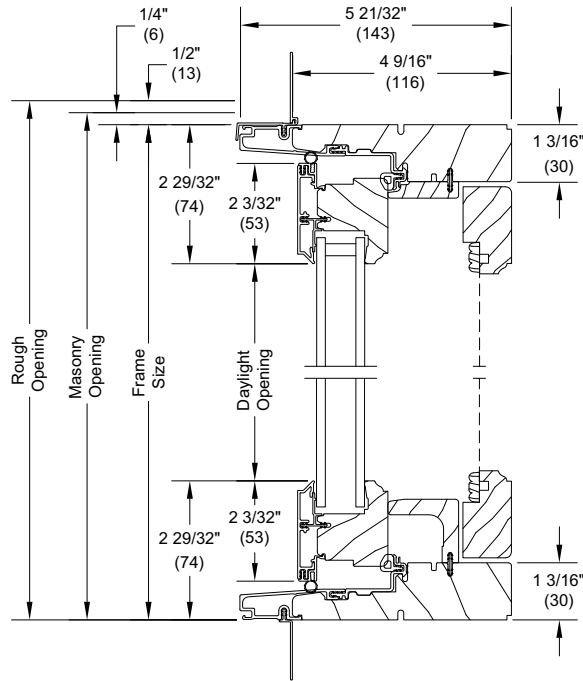


Jamb

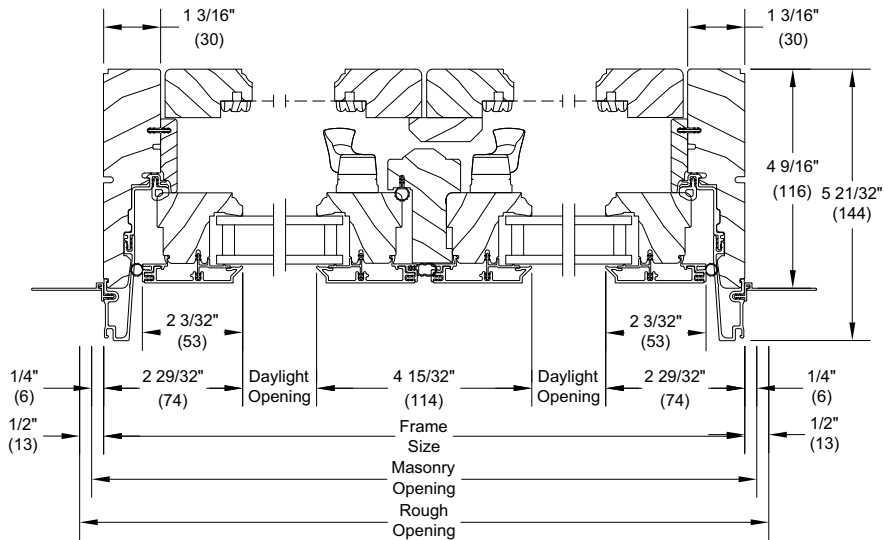
# Clad Ultimate Push Out French Casement

## Section Details: 1" IG Operating - Full Frame

Scale: 3" = 1' 0"



Head Jamb and Sill

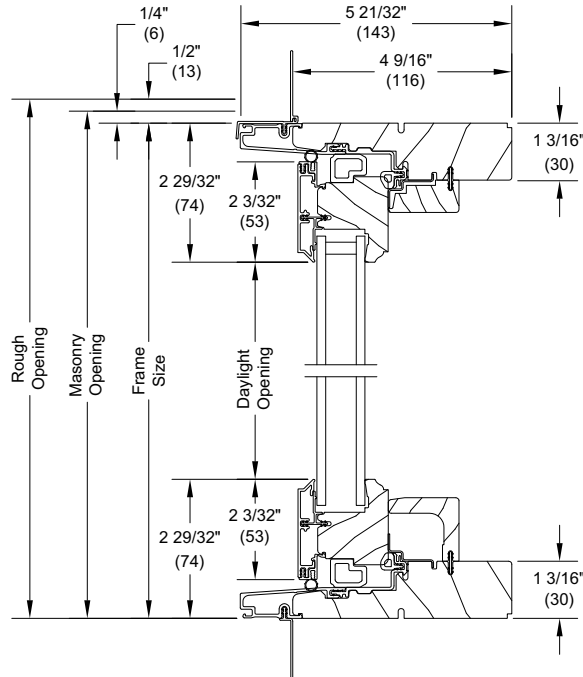


Jamb

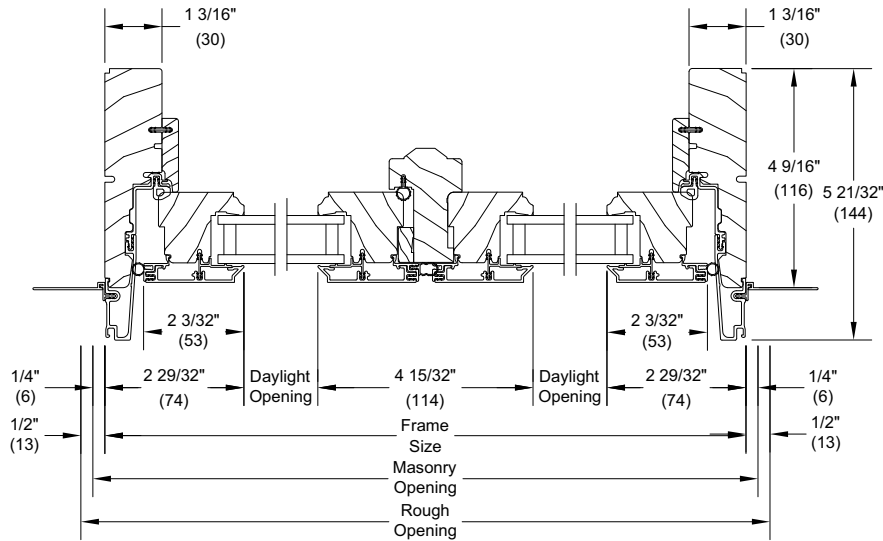
# Clad Ultimate Push Out French Casement

## Section Details: 1" IG Stationary - Full Frame

Scale: 3" = 1' 0"



Head Jamb and Sill

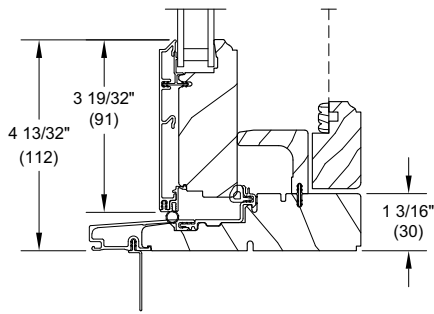


Jambs

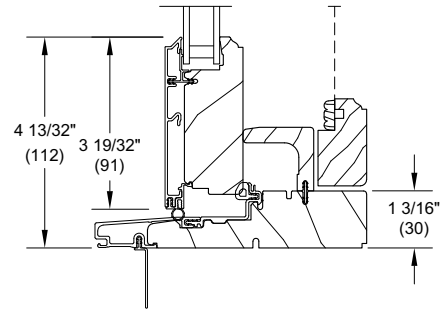
# Clad Ultimate Push Out French Casement

## Section Details: 3/4" IG and 1" IG Operator/Stationary Wide Bottom Rail Option

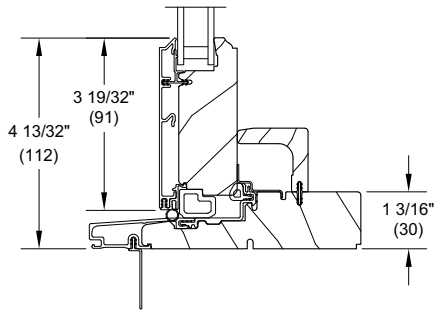
Scale: 3" = 1' 0"



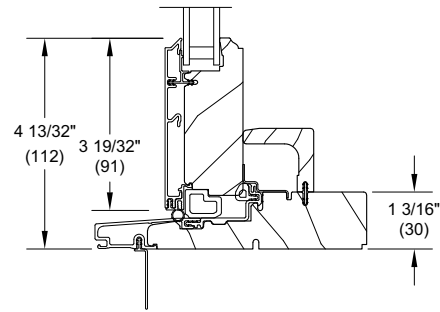
3/4" Operator



1" Operator



3/4" Stationary

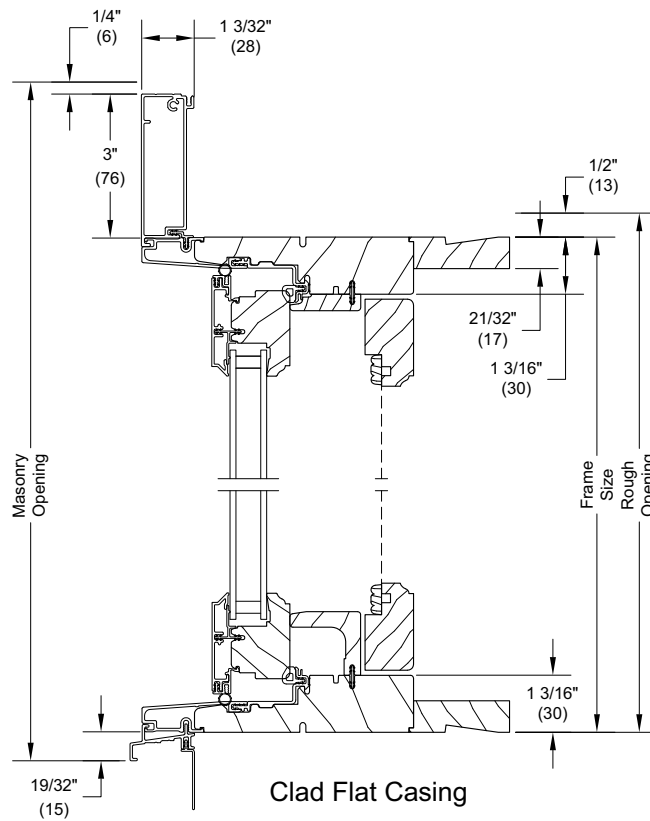
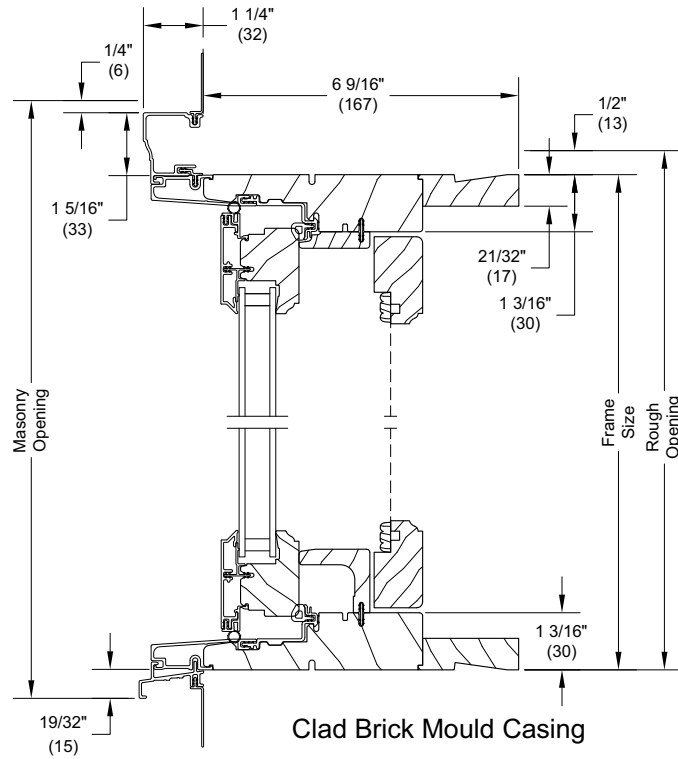


1" Stationary

# Clad Ultimate Push Out French Casement

## Section Details: Casing, and 6 9/16" Jamb - Full Frame

Scale: 3" = 1' 0"

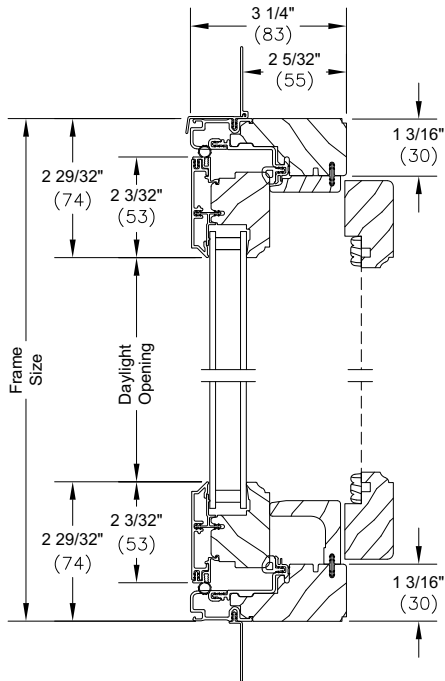


# Clad Ultimate Push Out French Casement

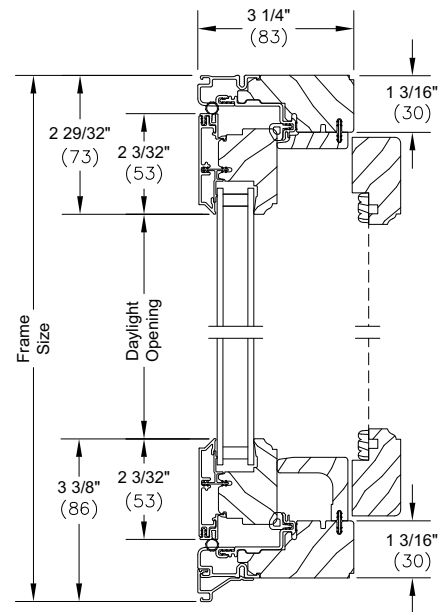
## Section Details: 3/4" IG Operator w/ Nailing Fin and Sill Riser - Replacement Frame

Scale: 3" = 1' 0"

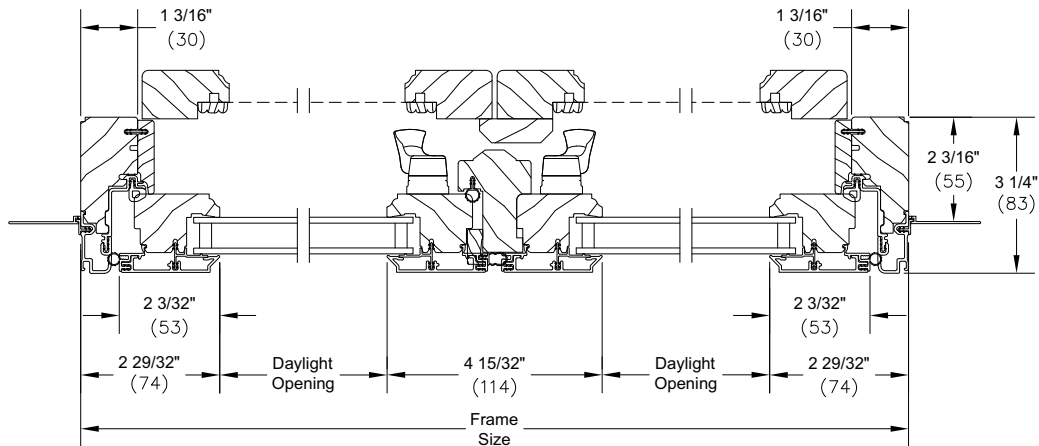
Operating



Head Jamb And Sill  
w/ Nailing Fin



Head Jamb And Sill  
w/ Sill Riser



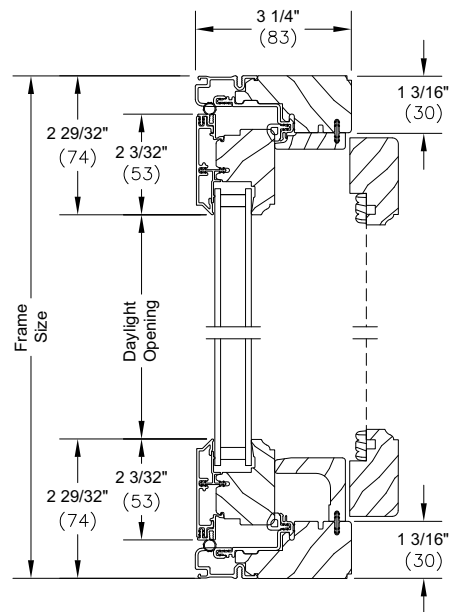
Jambs - w/ Nailing Fin

# Clad Ultimate Push Out French Casement

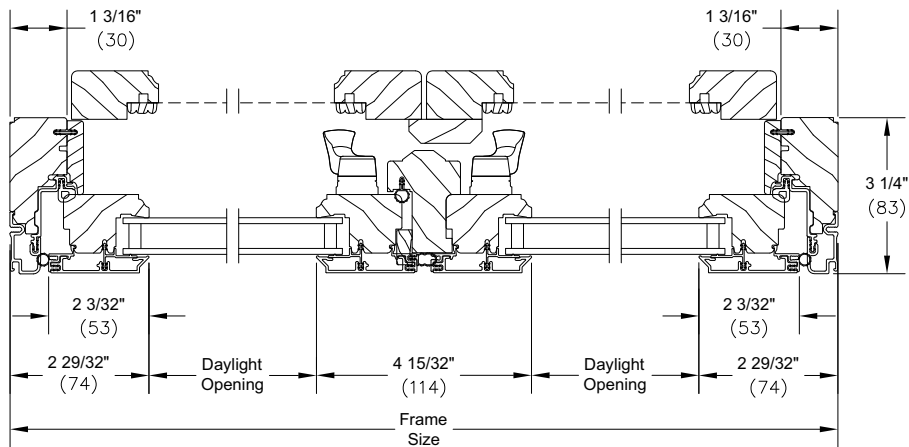
## Section Details: 3/4" IG Operator w/ No Nailing Fin - Replacement Frame

Scale: 3" = 1' 0"

**Operating**



**Head Jamb And Sill  
No Nailing Fin**



**Jambs - No Nailing Fin**

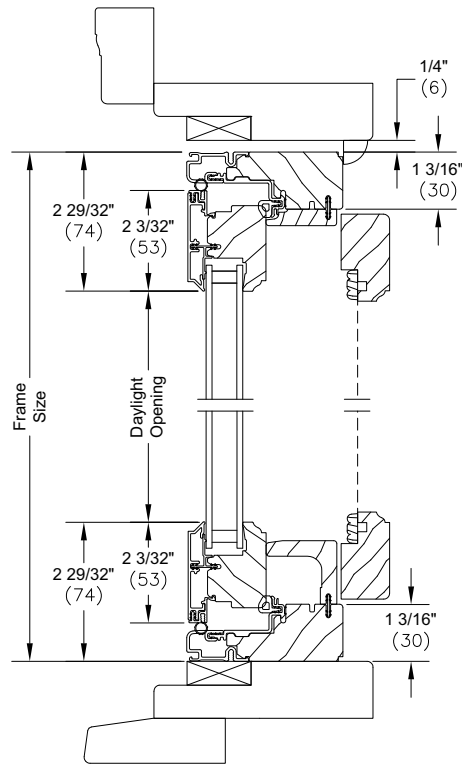


# Clad Ultimate Push Out French Casement

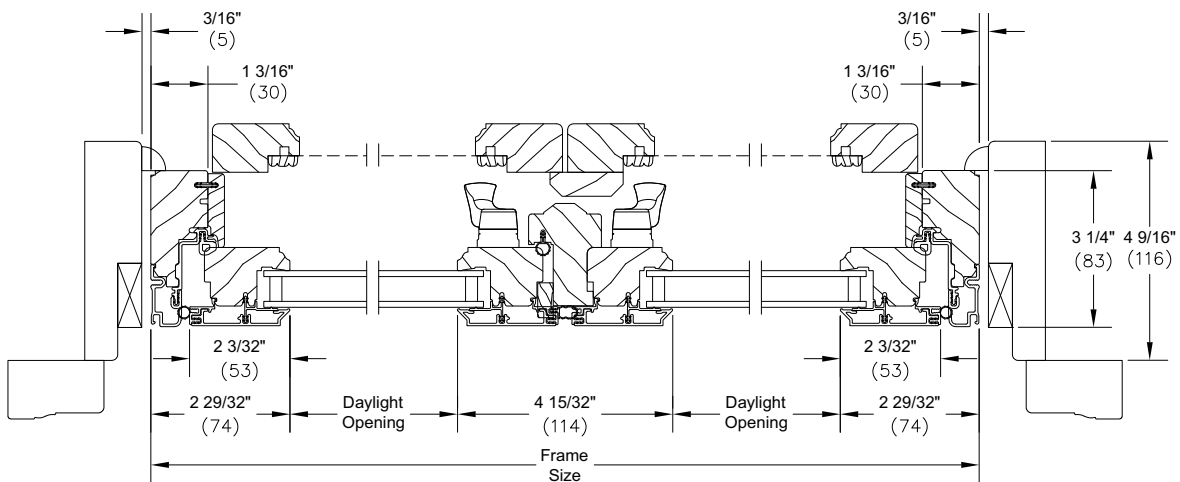
## Section Details: Push Out Replacement French Casement in existing Casement Frame

Scale: 3" = 1' 0"

**Operating**



**Head Jamb and Sill  
In Existing Casement Frame**



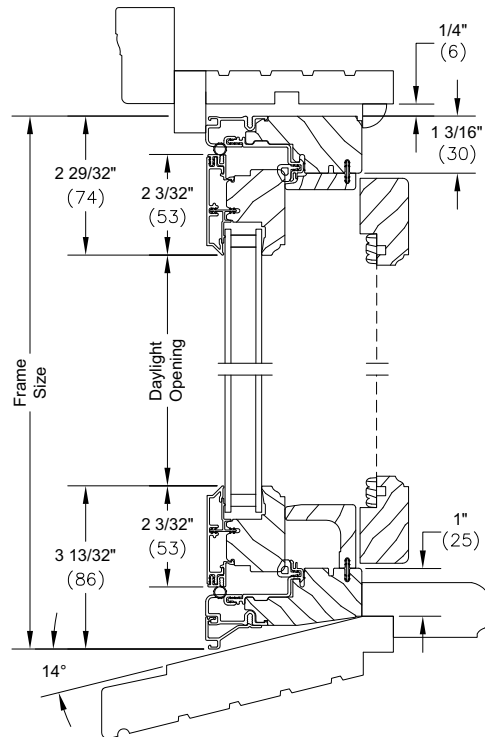
**Jambs  
In Existing Casement Frame**

# Clad Ultimate Push Out French Casement

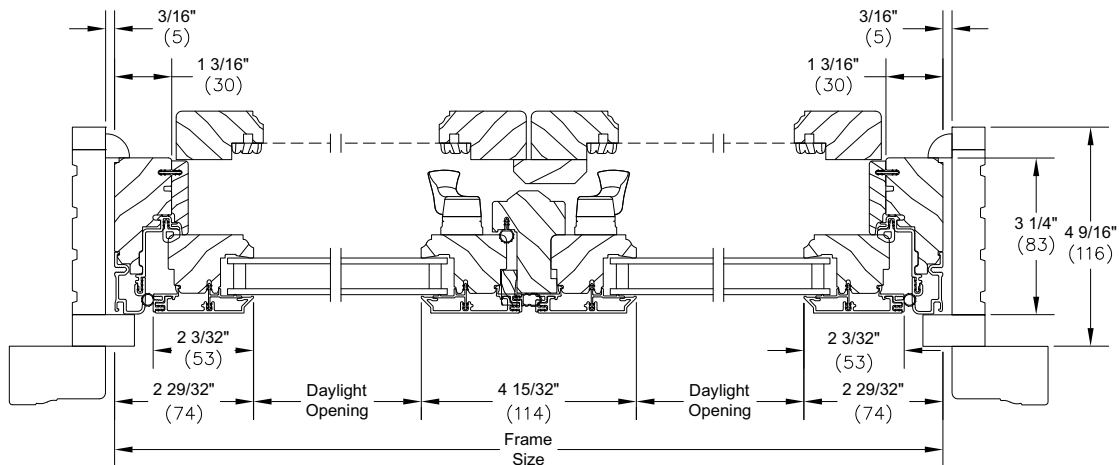
## Section Details: Push Out Replacement French Casement in existing Double Hung Frame

Scale: 3" = 1' 0"

### Operating



**CUPRFCA Operator - Sloped Sill  
In Existing 14 Deg. Double Hung Frame  
Head Jamb and Sill**

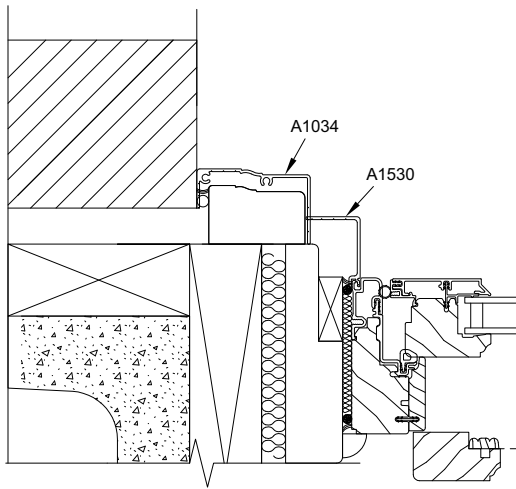


**CUPRFCA Operator  
In Existing Double Hung Frame  
Jambs**

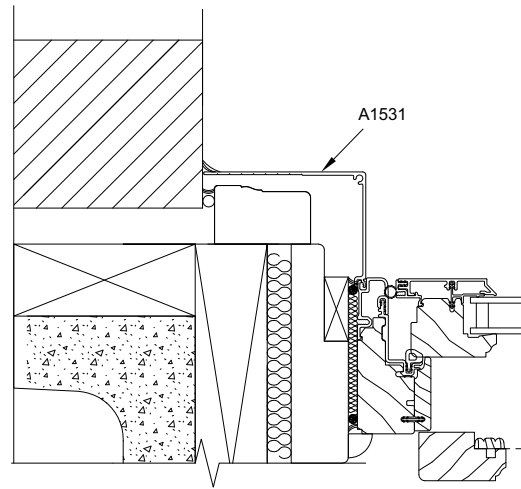
# Clad Ultimate Push Out French Casement

## Section Details: Clad Applications - CUPRFCA

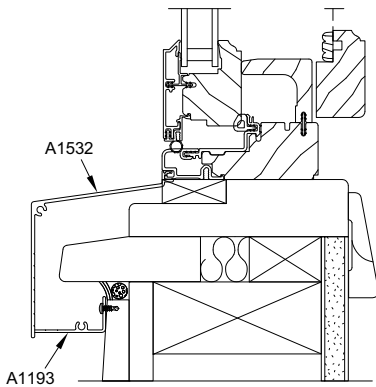
Scale: 3" = 1' 0"



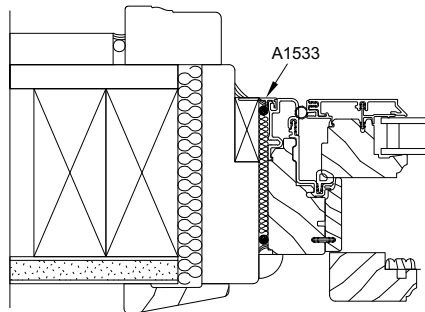
Masonry A1034 and A1530



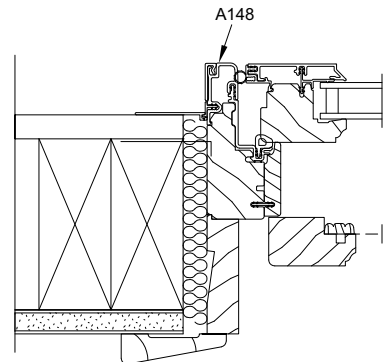
Masonry A1531



Sill A1532 and A1193



A1533 Frame Expander



A148 Kerf Cover