

# Clad Ultimate Double Hung Magnum

Unit Features.....	1
Egress and Vent Openings .....	2
Minimum and Maximum Guidelines, Certified Sizes and Ratings: Standard .....	3
Minimum and Maximum Guidelines, Certified Sizes and Ratings: Impact.....	4
Measurement Conversions .....	5
Section Details: Operating.....	6
Section Details: Operating - IZ.....	7
Section Details: Transom/Picture .....	8
Section Details: Casing Options.....	9
Section Details: Combination .....	10
Section Details: Interior Shade Option .....	11
Section Details: Mulled Direct Glaze with Interior Shade Option .....	12
Section Details: Mullions .....	13



# Clad Ultimate Double Hung Magnum

## Unit Features

Clad Ultimate Double Hung Magnum: CUDHM

Clad Ultimate Single Hung Magnum: CUSHM

Clad Ultimate Double Hung Magnum Picture: CUDHMP

Clad Ultimate Double Hung Magnum Transom: CUDHMT

### Operating Hardware:

- Sash lock and keeper: surface mounted, open style crescent cam lock. Two locks on glass of 36" (914) and wider. Color: Satin Taupe.
  - Optional colors: Bronze, White, Brass, Antique Brass, Satin Chrome, Satin Nickel, and Oil Rubbed Bronze.
- Balance System: Spiral balance system, designed to balance sash from 10 lbs. to 130 lbs.
- Pivot pins two per sash made of stainless steel are used. Clutches two per sash designed to receive the pivot pin and are designed to support sash weight up to 130 lbs.
- Tilt latch provided for say tilting of the top sash inward, located at check rail.
- Optional Sash lift: same colors as offered in locks.
- Optional window opening control device field applied.

### Optional Glass: CUDHM/CUDHT - 7/8" (22) glazing, CUDHMP - 1" (25) glazing only

- Tripane Low E1 outer piece and Low E1 Argon inner piece
- Tripane Low E1 outer piece and Low E1 Krypton-Argon inner piece
- Tripane Low E2 outer piece and Low E2 Argon inner piece
- Tripane Low E2 outer piece and Low E2 Krypton-Argon inner piece
- Tripane Low E3 outer piece and Low E1 Argon inner piece
- Tripane Low E3 outer piece and Low E1 Krypton-Argon inner piece

### CE Optional Glazing: CUDHM/CUDHT - 7/8" (22) glazing, CUDHMP - 1" (25) glazing only

- Optional Tripane glass types: Low E1/E1 Argon or Krypton-Argon, Low E2/E2 Argon or Krypton-Argon, Low E3/E1 Argon or Krypton
- Glass panes available in 3, 4, and 6mm thicknesses
- Glazing will be altitude adjusted for height elevations, Argon, Argon-Krypton, and Krypton gas not included

### CE Mulling Options:

- Muller assemblies up to 70 3/4" (1797) x 80 3/8" (2042) as 1H x multi-width
- Muller assemblies with 1" (25) LVL or 3/8" (10) aluminum mull reinforcement up to 124 7/8" (3172) x 100 3/8" (2550) as a multi-wide or multi-high assembly

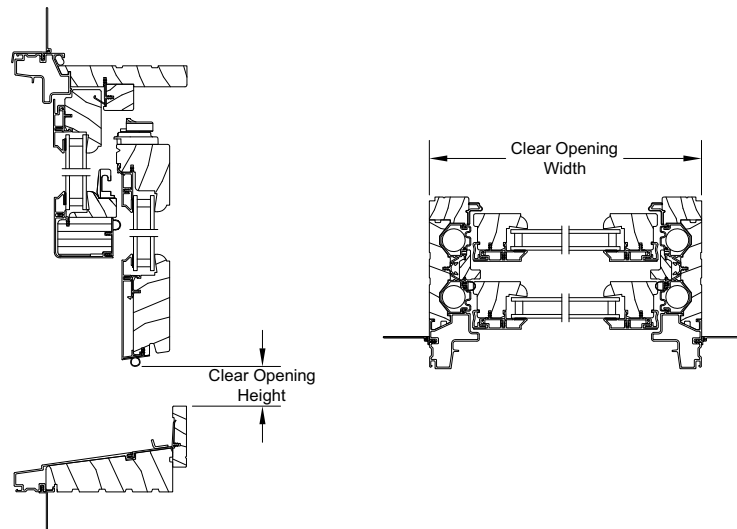
### DP50 Performance Upgrade:

- Frame
  - IZ3 Frame
  - Sill brackets (2) added for bottom sash retention
  - Jamb screw installation used in combination with aluminum nailing fin
- Sash
  - Interlocking check rails
  - Over-molded tilt ear
- Glazing
  - Tempered glass

**Egress and Vent Openings**

Not to Scale

Egress Conversions			
Glass Size Width - 1 7/8" (48) = Egress Width Rough Opening Width - 4 1/2" (114) = Egress Width			
Glass Size Height	Rough Opening Height	Egress Height Std Sill Liner	Egress Height DP50 Sill Liner
20" (508) to less than 28" (711)	48 7/8" (1241) to less than 64 7/8" (1648)	16 1/2" (419)	N/A
28" (711) to less than 38" (965)	64 7/8" (1648) to less than 84 7/8" (2156)	24 1/2" (622)	N/A
38" (965) to less than 49" (1245)	84 7/8" (2156) to less than 106 7/8" (2715)	34 1/2" (876)	33 7/8" (860)
49" (1245) to less than 60" (1524)	106 7/8" (2715) to less than 128 7/8" (3273)	45 1/2" (1156)	44 7/8" (1140)



*NOTE: When utilizing the Interior Shade option, the egress width is reduced by 17/32" and the height is reduced by 5/32".*

# Clad Ultimate Double Hung Magnum

## Minimum and Maximum Guidelines, Certified Sizes and Ratings: Standard

Minimum and Maximum Guidelines									
Unit Type		Rough Opening							
		Min Width		Min Height		Max Width		Max Height	
		in	mm	in	mm	in	mm	in	mm
CUDHM	Insulating Glass	26 3/8	(670)	48 3/8	(1229)	60 3/8	(1534)	120 7/8	(3070)
CUDHMT	Insulating Glass	14 3/8	(365)	14 3/16	(360)	74 3/8	(1889)	27 7/8	(708)
CUDHMP	Insulating Glass	14 3/8	(365)	15 33/64	(394)	62 3/8	(1584)	104 7/8	(2664)

NOTE: Maximum Interior Shade width 72" (1829) and Maximum Interior Shade height 112 3/8" (2854)

Minimum and Maximum for CE Mark - CUDHM Operable, Transom and Picture									
Unit Type		Min Frame Size Unit				Max Frame Size Unit			
		Width		Height		Width		Height	
		in	mm	in	mm	in	mm	in	mm
CUDHM		26 3/8	(670)	48 3/8	(1229)	59 3/8	(1508)	120	(3048)
CUDHMT		14 3/8	(365)	14 3/16	(360)	79 3/8	(2016)	27 11/16	(703)
CUDHMP		14 3/8	(365)	15 33/64	(394)	61 3/8	(1559)	105	(2667)

Product	Air Tested to psf	Water Tested to psf	Structural Tested to psf	Certification Rating	Design Pressure (DP)	Overall Width		Overall Height	
						in	mm	in	mm
Clad Ultimate Double Hung Magnum 5456	1.57	5.25	52.5	LC-PG35-H	35	59 3/8	(1508)	120 3/8	(3058)
Clad Ultimate Double Hung Magnum 5456 High Performance	1.57	7.52	75.24	LC-PG50-H	50	59 3/8	(1508)	120 3/8	(3058)
Clad Ultimate Double Hung Magnum 5042	1.57	6.06	60.15	CW-PG40-H	40	55 3/8	(1407)	92 3/8	(2346)
Clad Ultimate Double Hung Magnum 4848	1.57	7.5	75	CW-PG50-H	50	53 3/8	(1356)	104 3/8	(2651)
Clad Ultimate Double Hung Magnum Picture	1.57	10.5	75	CW-PG50-FW	50	61 3/8	(1559)	104 3/8	(2651)
Clad Ultimate Double Hung Magnum Transom	1.57	8.25	75	LC-PG50-TR	50	73 3/8	(1864)	27 3/8	(695)

NOTE: For CE ratings, please refer to CE Performance Section.

**Minimum and Maximum Guidelines, Certified Sizes and Ratings: Impact**

IZ3 Minimum and Maximum Guidelines									
Unit Type		Rough Opening							
		Min Width		Min Height		Max Width		Max Height	
		in	mm	in	mm	in	mm	in	mm
CUDHM	Insulating Glass	26 3/8	(670)	48 3/8	(1229)	54 3/8	(1381)	104 7/8	(2664)

NOTE: Maximum Interior Shade width 72" (1829) and Maximum Interior Shade height 112 3/8" (2854)

Product	Air Tested to psf	Water Tested to psf	Structural Tested to psf	Certification Rating	Design Pressure (DP)	Overall Width		Overall Height	
						in	mm	in	mm
Clad Ultimate Double Hung Magnum StormPlus IZ3 4256	1.57	7.5	75	LC-PG50-H	+55/-65	47 3/8	(1203)	120 3/8	(3058)
Clad Ultimate Double Hung Magnum StormPlus IZ3 4848	1.57	7.5	75	LC-PG50-H	+55/-65	53 3/8	(1356)	104 3/8	(2651)

NOTE: Maximum sash weight is 130 lbs.  
 CE mark is not available on Impact units.

**Measurement Conversions**

Clad Ultimate Double Hung Magnum						
Unit Measurement		Width		Height		
From	To					
Frame Size		in	mm		in	mm
OM of Frame	Rough Opening	+ 1	(25)		+ 1/2	(13)
Masonry Opening	Rough Opening	-1/2	(13)		-1/4	(6)
Masonry Opening w/BMC	Rough Opening	-2 1/8	(54)		-1 11/16	(43)
Masonry Opening w/Flat Casing	Rough Opening	-5 1/2	(140)		-3 3/8	(86)
Glass		in	mm		in	mm
Daylight Opening	Glass	+ 1 1/16	(27)		+ 1 1/16	(27)
Screen		in	mm		in	mm
Rough Opening	OM of Screen	-3 1/16	(78)		-2 11/32	(60)
Daylight Opening	OM of Screen	+ 4 3/8	(111)	× 2	+ 8 21/32	(220)
Half Screen		in	mm		in	mm
OM of Frame	OM of Screen	-2 1/16	(52)	+ 2	-3/16	(5)
Daylight Opening	OM of Screen	+ 4 3/8	(111)	DLO	+ 5 5/16	(135)

Clad Ultimate Double Hung Magnum Picture						
Unit Measurements		Width		Height		
From	To					
Frame Size		in	mm	in	mm	
OM of Frame	Rough Opening	+ 1	(25)	+ 1/2	(13)	
Masonry Opening	Rough Opening	-1/2	(13)	-1/4	(6)	
Masonry Opening w/BMC	Rough Opening	+ 2 1/8	(54)	-1 11/16	(43)	
Masonry Opening w/Flat Casing	Rough Opening	-5 1/2	(140)	-3 3/8	(86)	
Glass		in	mm	in	mm	
Daylight Opening	Glass	+ 1 3/16	(30)	+ 1 1/16	(27)	

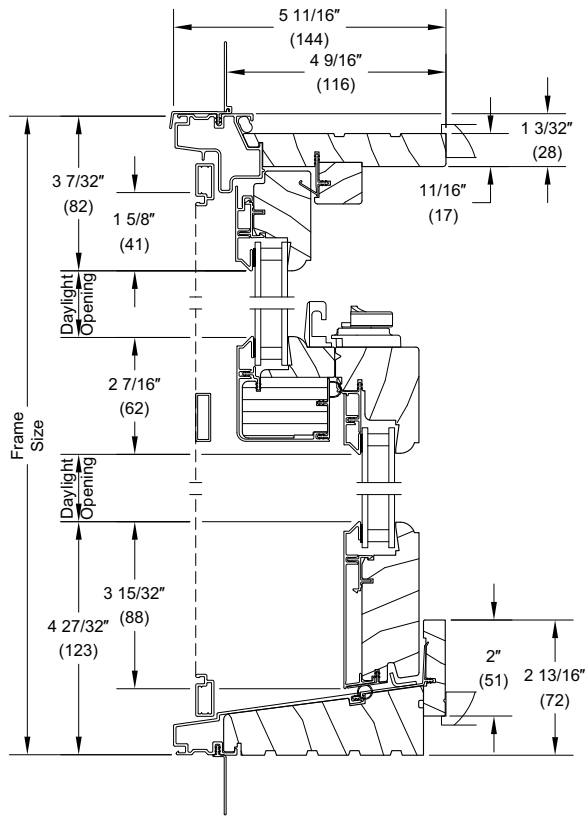
Clad Ultimate Double Hung Magnum Transom						
Unit Measurements		Width		Height		
From	To					
Frame Size		in	mm	in	mm	
OM of Frame	Rough Opening	+ 1	(25)	+ 1/2	(13)	
Masonry Opening	Rough Opening	-1/2	(13)	-1/4	(6)	
Masonry Opening w/BMC	Rough Opening	-2 1/8	(54)	-1 11/16	(43)	
Masonry Opening w/Flat Casing	Rough Opening	-5 1/2	(140)	-3 3/8	(86)	
Glass		in	mm	in	mm	
Daylight Opening	Glass	+ 1 3/16	(30)	+ 1 1/16	(27)	

# Clad Ultimate Double Hung Magnum

## Section Details: Operating

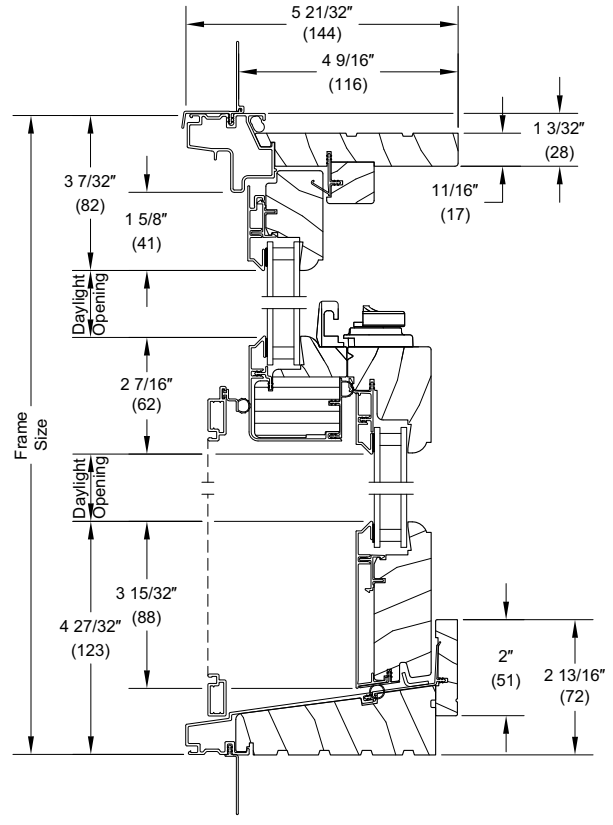
Scale: 3" = 1' 0"

**Double Hung**

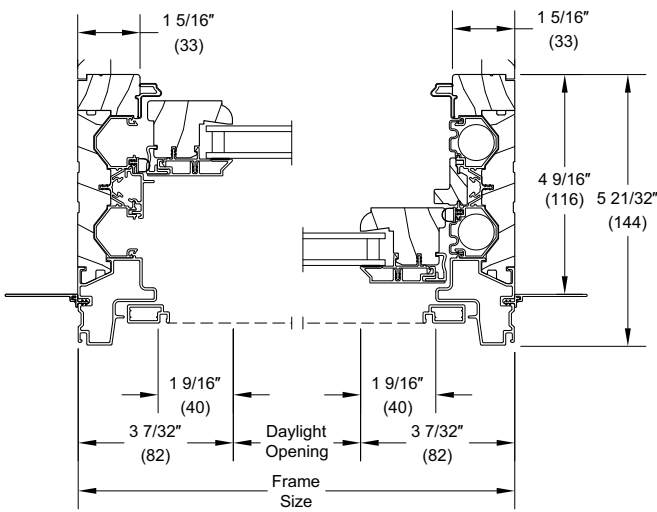


**Head Jamb and Sill**

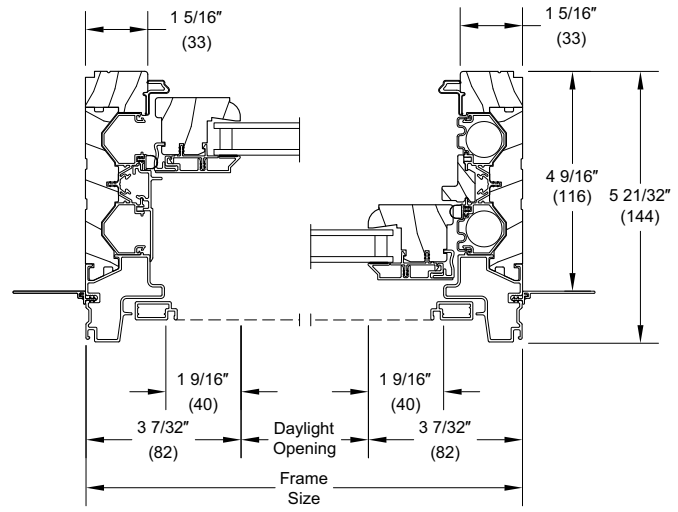
**Single Hung**



**Head Jamb and Sill**



**Jamb**



**Jamb**

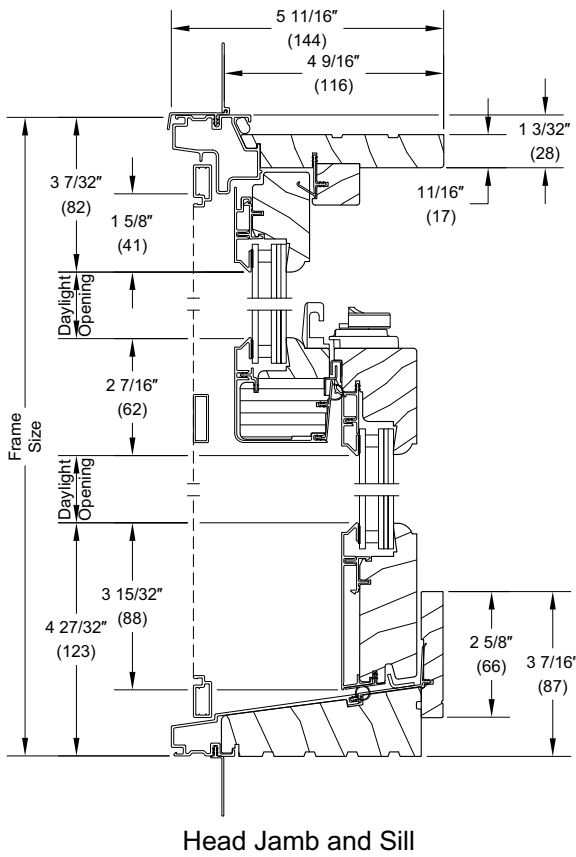


# Clad Ultimate Double Hung Magnum

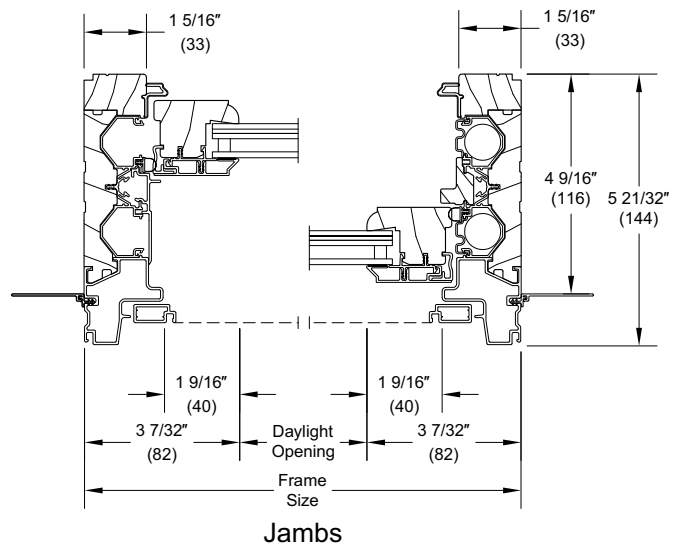
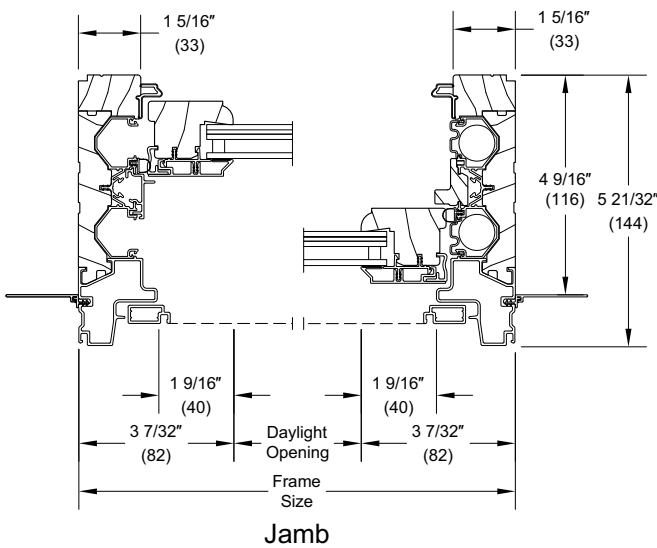
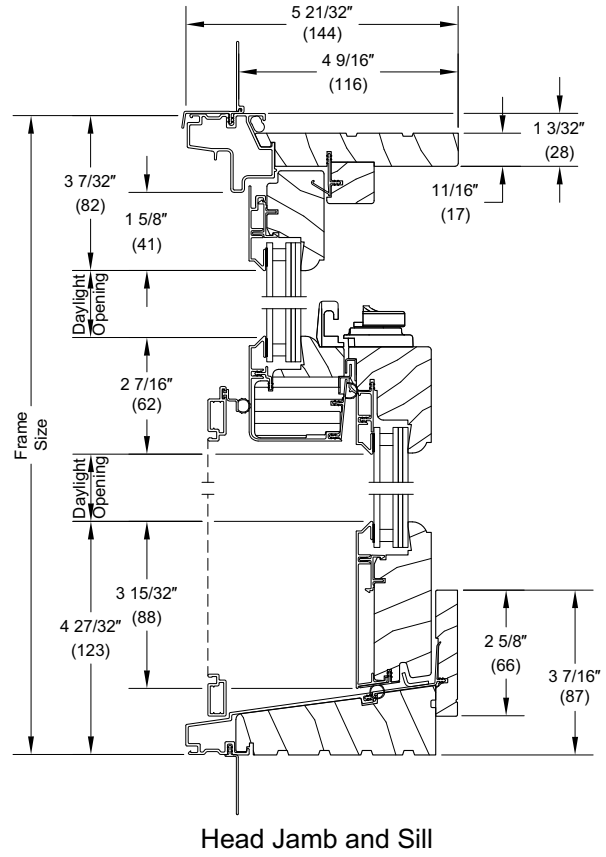
## Section Details: Operating - IZ

Scale: 3" = 1' 0"

**Double Hung**



**Single Hung**



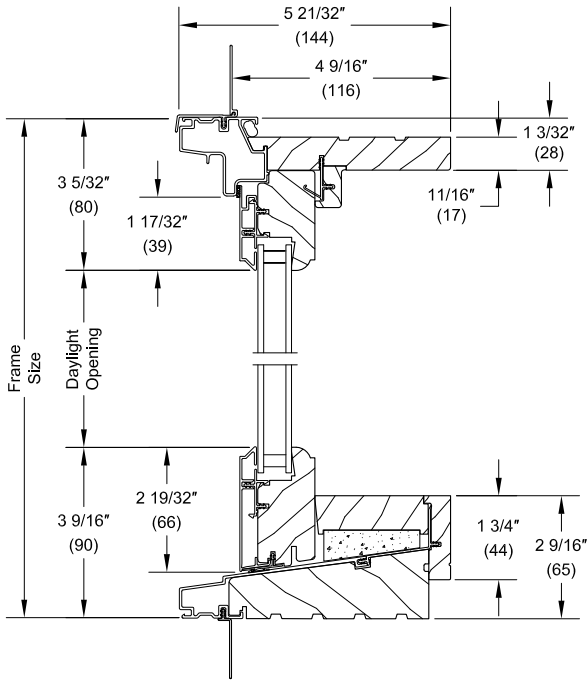
NOTE: CE mark is not available on Impact units.

# Clad Ultimate Double Hung Magnum

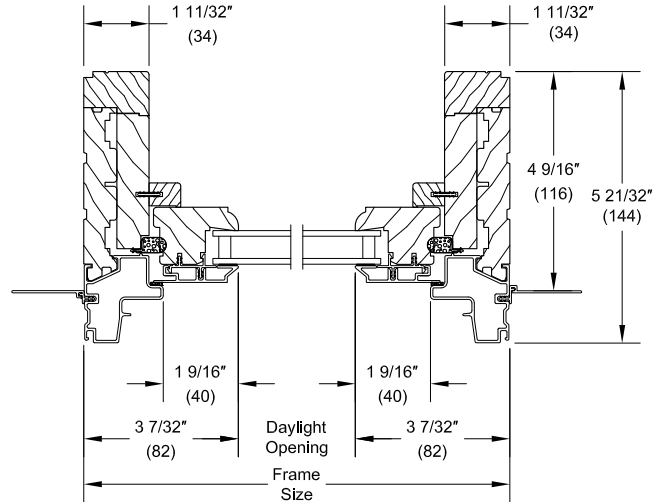
## Section Details: Transom/Picture

Scale: 3" = 1' 0"

### Transom

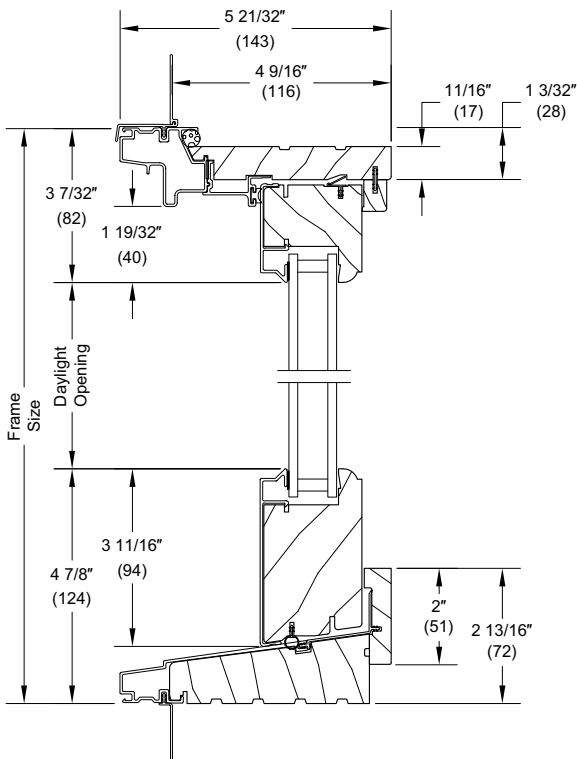


Head Jamb and Sill

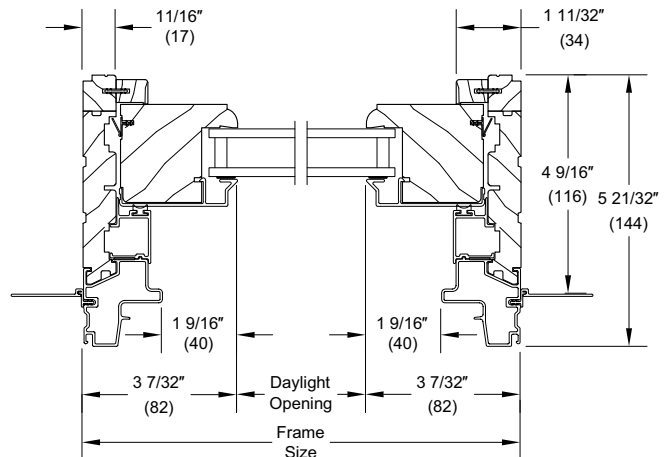


Jamb

### 2" Picture



Head Jamb and Sill

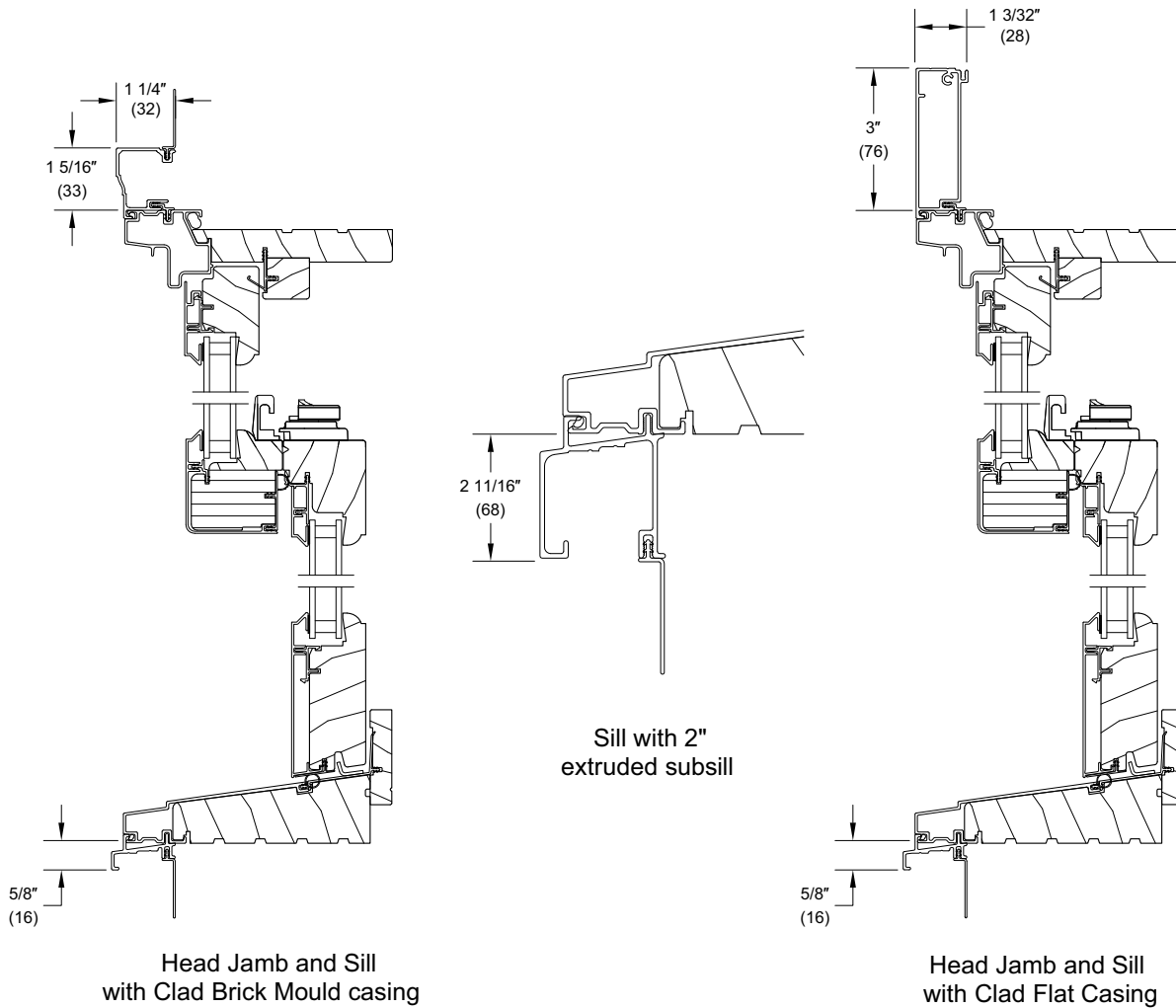


Jamb

# Clad Ultimate Double Hung Magnum

## Section Details: Casing Options

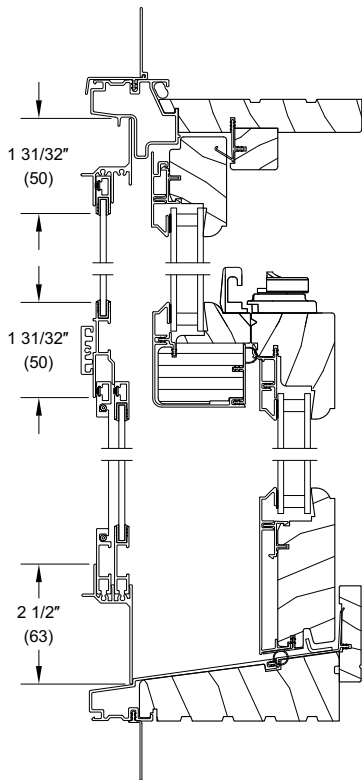
Scale: 3" = 1' 0"



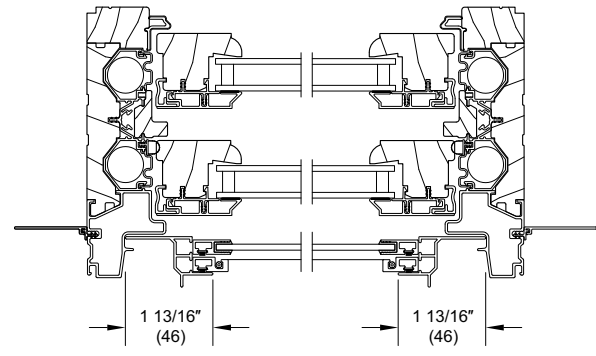
# Clad Ultimate Double Hung Magnum

## Section Details: Combination

Scale: 3" = 1' 0"



Head Jamb and Sill

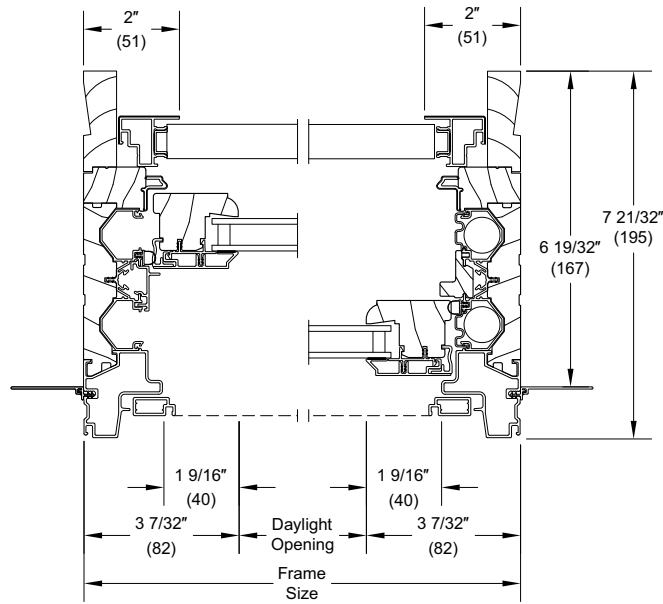


Jambs

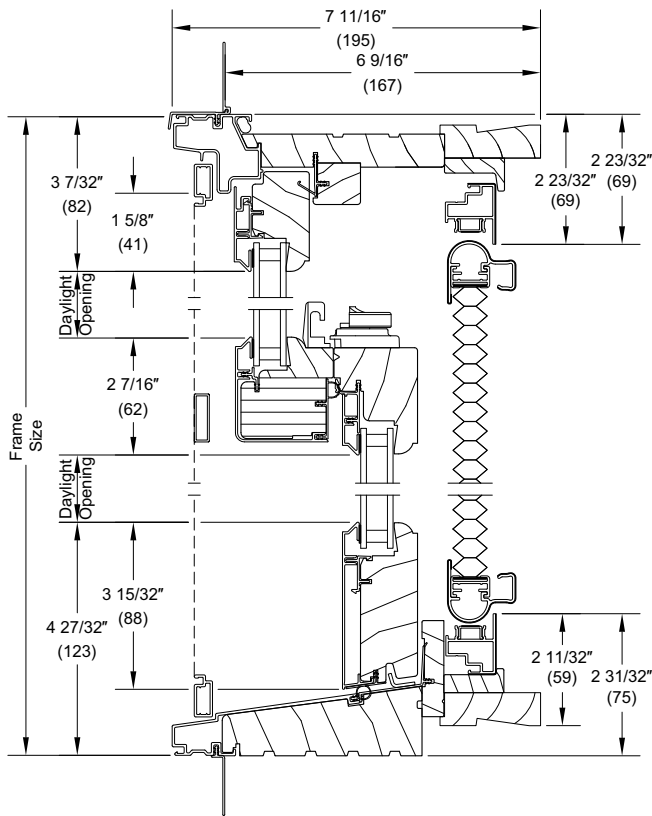
# Clad Ultimate Double Hung Magnum

## Section Details: Interior Shade Option

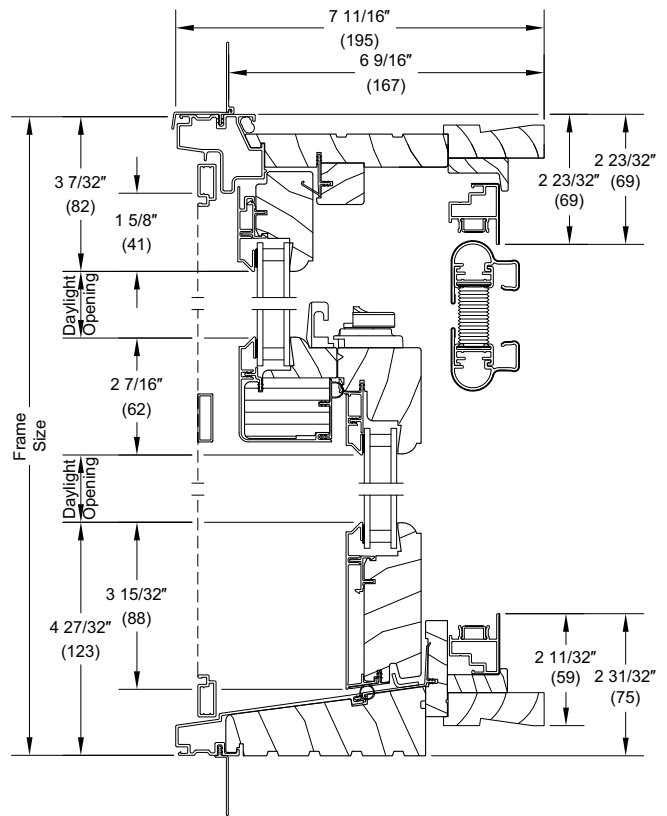
Scale: 3" = 1' 0"



Jamb



Head Jamb and Sill  
Shades Closed

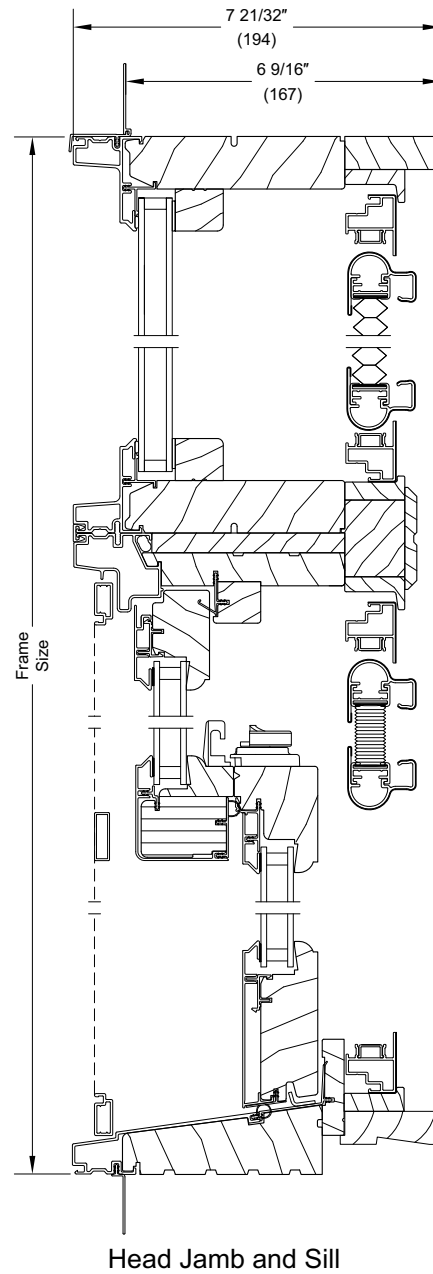
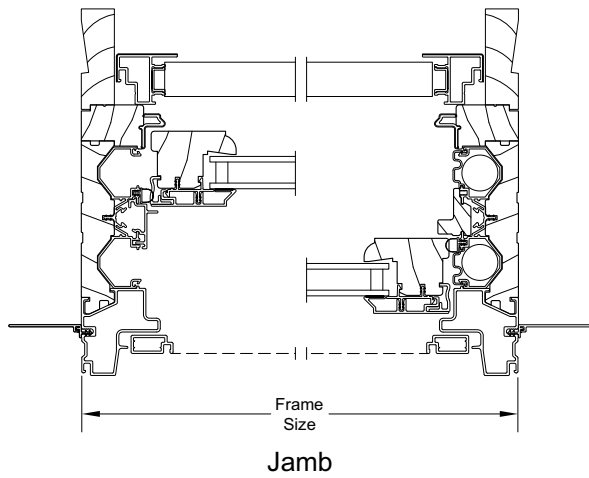


Head Jamb and Sill  
Shades Open

# Clad Ultimate Double Hung Magnum

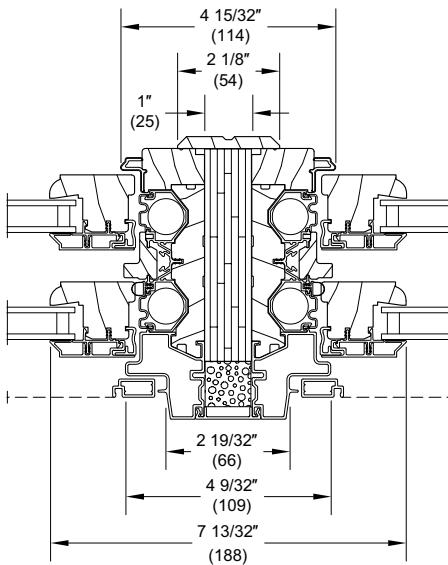
## Section Details: Muller Direct Glaze with Interior Shade Option

Scale: 3" = 1' 0"

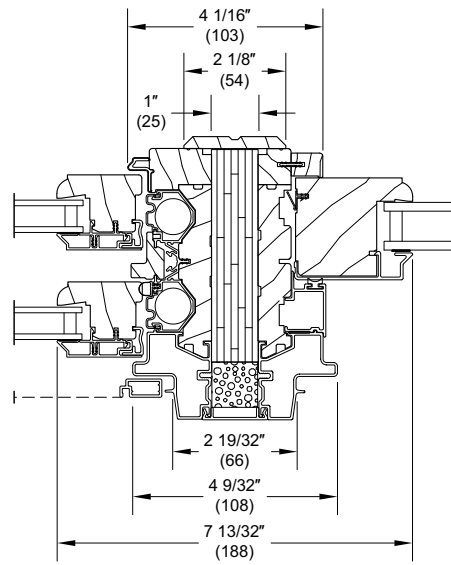


**Section Details: Mullions**

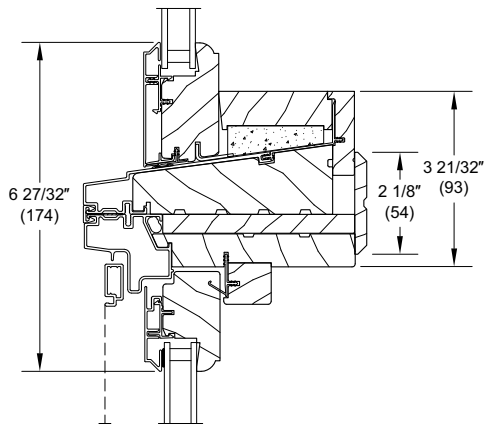
Scale: 3" = 1' 0"



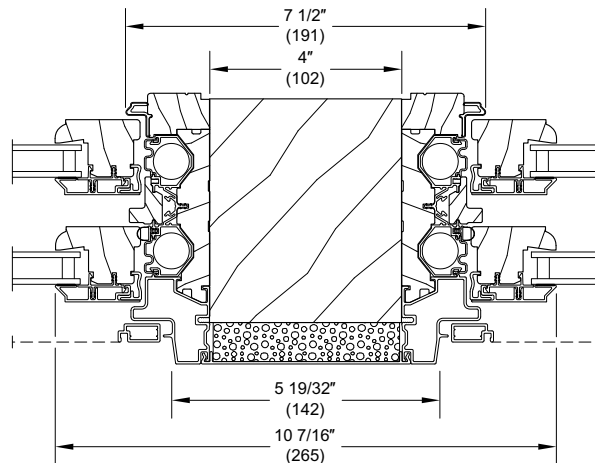
**1" Solid Space  
Vertical Mullion  
Operator/Operator**



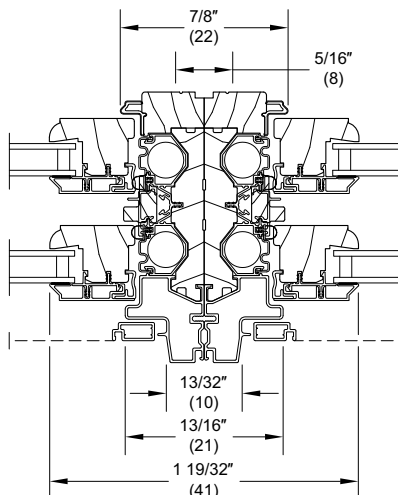
**1" Solid Space  
Vertical Mullion  
Operator/Picture**



**Horizontal Mullion  
Transom/Operator**



**Vertical Mullion  
Operator with 4" (102) Solid Space Mull**



**Vertical Mullion  
Operator/Operator**