

Clad Direct Glaze Polygon and Round Top

Unit Features: Clad Direct Glaze Polygon	1
Minimum and Maximum Guidelines: Standard Clad Direct Glaze Polygon	3
Minimum and Maximum Guidelines: StormPlus IZ3/IZ4 Clad Direct Glaze Polygon	4
Minimum and Maximum Guidelines: Interior Shades	5
Certified Sizes and Ratings: Standard Units and StormPlus IZ3/IZ4	6
Measurement Conversions: Clad Direct Glaze Polygon	7
Slope To Angle and Angle to Pitch Conversion - Clad Direct Glaze Polygon	8
Section Details: Clad Direct Glaze Polygon - Standard and StormPlus IZ3/IZ4	9
Section Details: Interior Shade Option	10
Section Details: Clad Direct Glaze Polygon Mullion Options	11
Clad Direct Glaze Polygon Shape Reference	12
Unit Features: Clad Direct Glaze Polygon Corner Units	13
Minimum and Maximum Guidelines: Clad Direct Glaze Polygon Corner Units	14
Certified Sizes and Ratings: Clad Direct Glaze Polygon Corner Units	15
Measurement Conversions: Clad Direct Glaze Polygon Corner Units	16
Section Details: Clad Direct Glaze Polygon - Clad Direct Glaze Polygon Corner Units	17
Unit Features: Clad Narrow Frame (Contemporary) Direct Glaze Polygon	18
Minimum and Maximum Guidelines: Clad Narrow Frame (Contemporary) Direct Glaze Polygon	19
Certified Sizes and Ratings: Clad Narrow Frame (Contemporary) Direct Glaze Polygon	20
Measurement Conversions: Clad Narrow Frame (Contemporary) Direct Glaze Polygon	21
Slope To Angle and Angle to Pitch Conversion - Clad Narrow Frame (Contemporary) Direct Glaze Polygon	22
Section Details: Clad Narrow Frame (Contemporary) Direct Glaze and Direct Glaze Polygon	23
Section Details: Clad Narrow Frame (Contemporary) Direct Glaze Polygon Mullion Options	24
Clad Narrow Frame (Contemporary) Direct Glaze Polygon Shape Reference	25
Unit Features: Clad Narrow Frame (Contemporary) Direct Glaze Corner Units	26
Minimum and Maximum Guidelines: Clad Narrow Frame (Contemporary) Direct Glaze Corner Units	27
Certified Sizes and Ratings: Clad Narrow Frame (Contemporary) Direct Glaze Corner Units	28
Measurement Conversions: Clad Narrow Frame (Contemporary) Direct Glaze Corner Units	29
Section Details: Clad Narrow Frame (Contemporary) Direct Glaze Corner Units	30
Unit Features: Clad Direct Glaze Round Top	31
Min/Max Guidelines: Clad Direct Glaze Round Top	32
Certified Sizes: Clad Direct Glaze Round Top	33
Measurement Conversions: Clad Direct Glaze Round Top	34
Standard Sizes: Clad Ultimate Casement Full Circle and Ellipse Series	35
Standard Sizes: Clad Ultimate Casement True Half, Elliptical and Quarter Circle	36
Standard Sizes: Clad Ultimate Casement Eyebrow Above Springline	37
Standard Sizes: Clad Ultimate Double Hung True Half Circle and Elliptical Direct Glaze	39
Standard Sizes: Clad Ultimate Double Hung - Eyebrow Above Springline	40
Section Details: Clad Direct Glaze Round Top/Polygon/Rectangle-DG-4/4 RT Frame	42
Section Details: Clad Direct Glaze Round Top Mullion Options	43
Clad Direct Glaze Round Top Shape Reference	44
Section Details: Casing Options - Direct Set Polygon and Direct Set Round Top	45
Direct Glaze Polygon and Direct Set Round Top - Insulated Glass Divided Lite Options	46
Direct Glaze Polygon and Direct Set Round Top - Insulated Glass Square SDL Option	47

Clad Direct Glaze Polygon and Round Top

Unit Features: Clad Direct Glaze Polygon

Clad Direct Glaze Polygon: CDGP

Frame:

- Frame width: 4 9/16" (116)
- Frame thickness: 1 3/32" (28)
- Minimum frame angle 15°
- Optional 4/4 RT Frame Thickness: 11/16"

Glass and Glazing:

- Glazing seal:
 - Glazed from the interior
 - Exterior of the glass is sealed to cladding with glazing sealant
 - Interior of the glass is sealed to interior glazing bead with glazing tape
- Standard glass: insulating Low E2 Argon or air
 - Optional glazing available: Low E1 Argon or air, Low E3 Argon or air, clear, tints, tempered, obscure, and decorative glass
 - Optional tripane glazing available: Low E2/E1, Low E3/E1, Low E1/E1 air, Argon, Krypton-Argon, or Krypton fill
- Insulating glass will be altitude adjusted with capillary tubes for higher elevations
- Argon gas is not available for elevations that require capillary tubes

CE Glass and Glazing:

- Glazing seal: silicone glazed
- Standard glass: Insulating Low E2 Argon or air
 - Optional glazing available: Low E1 Argon or air, Low E3 Argon or air, clear, laminated clear & tints, tempered, sandblasted
 - Optional tripane glazing available: Low E2/E1, Low E3/E1, Low E1/E1 air, Argon, Krypton-Argon, or Krypton fill
- Glass panes available in 3, 4, and 6 mm thicknesses
- Laminated panes available in 7.0 and 7.8 mm thicknesses
- Insulating glass will be altitude adjusted with capillary tubes for higher elevations
- Argon gas is not available for elevations that require capillary tubes

Glazing for Impact Units:

- Glazing seal:
 - Glazed from the interior against a bead of silicone
 - The perimeter of the glass is backfilled with silicone
 - The interior wood bead is secured to the frame with 1 3/8" (35) brad nails nominal 5" on center
 - Impact glass setting blocks are used to reduce the chance of glass sliding

Interior Shades:

- Cellular shade is attached to the window with a removable surround system that houses the cellular shade system
 - Shade cartridge is removable and replaceable
 - One shade per frame opening
 - Shade control: top down, bottom up
- Wood surround frame
 - Species: Pine, Mahogany, Mixed Grain Douglas Fir, Vertical Grain Douglas Fir, Cherry or White Oak
- Cellular shade
 - Single non-fire rated hexagonal honeycomb (cellular) 3/4" (19)
 - Semi-opaque fabric (light filtering)
 - Colors: Driftwood, Marigold, Almond, Rose, Denim, Biscuit, Champagne, Moss, Cinnamon, Silver, White, Stone, Tan, Ivory, or Eggshell
 - Opaque fabric (blackout)
 - Colors: White, Stone, Tan, Ivory, or Eggshell
- Order options:
 - Ship separate: shade system packages separate and ships same time as the unit
 - Ship later: shade system ships at a later date chosen by the customer
 - Shade option must be chosen at the time of unit order
 - Fabric opacity and color can be chosen at later date
 - Retro fit: ordered as a complete shade system through configured parts

Clad Direct Glaze Polygon and Round Top

Unit Features: Clad Direct Glaze Polygon

Mulling Options:

- Factory mulling is available
- Maximum mulled assembly: Masonry Opening 144" x 103"
- Mulling options: direct mull, 3/8" mull reinforcement, 1" LVL structural mull, space mull, stud pocket

CE Mulling Options:

- Mullled assemblies up to 64" (1626) x 71 1/8" (1807) as a 1H x multi-wide
- Mullled assemblies with 1" (25) LVL or 3/8" (10) aluminum mull reinforcement up to 122" (3099) x 104 1/4" (2648) as a 1H x multi-wide or up to 104 1/4" (2648) x 122" (3099) as a 1W x multi-high assembly.

Clad Direct Glaze Polygon and Round Top

Minimum and Maximum Guidelines: Standard Clad Direct Glaze Polygon

Minimum Frame Size - Direct Glaze Polygon							
Unit Type		Frame Size				Minimum Short Leg	
		Min Width		Min Height			
		in	mm	in	mm	in	mm
Single Glaze	P3	23	(584)	23 1/2	(597)	6	(152)
	P4	15	(381)	15 1/2	(394)	6	(152)
	P5	15	(381)	15 1/2	(394)	6	(152)
	P6	15	(381)	15 1/2	(394)	6	(152)
	P8	15	(381)	15 1/2	(394)	6	(152)
Insulating Glass	P3	23	(584)	23 1/2	(597)	6	(152)
	P4	15	(381)	15 1/2	(394)	6	(152)
	P5	15	(381)	15 1/2	(394)	6	(152)
	P6	15	(381)	15 1/2	(394)	6	(152)
	P8	15	(381)	15 1/2	(394)	6	(152)

Maximum Guidelines - Direct Glaze Polygon									
Unit Type		Non-Certified Frame Size				Certified Frame Size			
		Max Width		Max Height		Max Width		Max Height	
		in	mm	in	mm	in	mm	in	mm
Single Glaze	All Shapes	145 9/16	(3697)	53 7/8	(1368)	84	(2134)	87	(2210)
		90 1/2	(2299)	86 1/16	(2186)	75	(1905)	97	(2464)
		86 1/16	(2186)	90 1/2	(2299)	87	(2210)	84	(2134)
		53 7/8	(1368)	145 9/16	(3697)	97	(2464)	75	(1905)
Insulating Glass	All Shapes	145 9/16	(3697)	63 15/16	(1624)	84	(2134)	97	(2464)
		107 3/4	(2737)	86 1/16	(2186)				
		86 1/16	(2186)	107 3/4	(2737)				
		63 15/16	(1624)	145 9/16	(3697)	97	(2464)	84	(2134)
CE Product	All Shapes					97	(2464)	84	(2134)
						48	(1219)	120	(3048)

NOTE: Single glaze is not available with CE mark

Clad Direct Glaze Polygon and Round Top

Minimum and Maximum Guidelines: StormPlus IZ3/IZ4 Clad Direct Glaze Polygon

Minimum Frame Size - Direct Glaze Polygon							
Unit Type		Frame Size				Minimum Short Leg	
		Min Width		Min Height			
		in	mm	in	mm	in	mm
IZ3/IZ4 Impact Product	P3	23	(584)	23 1/2	(597)	6	(152)
	P4	15	(381)	15 1/2	(394)	6	(152)
	P5	15	(381)	15 1/2	(394)	6	(152)
	P6	15	(381)	15 1/2	(394)	6	(152)
	P8	15	(381)	15 1/2	(394)	6	(152)

Maximum Guidelines - Direct Glaze Polygon					
Unit Type		Certified Frame Size			
		Max Width		Max Height	
		in	mm	in	mm
IZ3 Impact Product	All Shapes	48	(1219)	120	(3048)
		73	(1854)	73	(1854)
		120	(3048)	48	(1219)
IZ4 Impact Product	All Shapes	60	(1524)	120	(3048)
		120	(3048)	60	(1524)

NOTE: CE mark is not available on Impact units

Minimum and Maximum Guidelines: Interior Shades

Minimum and Maximum - Direct Glaze Polygon Interior Shade Option								
Unit Type	Minimum Frame Size				Maximum Frame Size			
	Width		Height		Max Width		Max Height	
	in	mm	in	mm	in	mm	in	mm
Rectangular Direct Glaze	12	(305)	11 1/8	(283)	72	(1829)	113 3/8	(2880)

Clad Direct Glaze Polygon and Round Top

Certified Sizes and Ratings: Standard Units and StormPlus IZ3/IZ4

Standard Product	Air Tested to psf	Water Tested to psf	Structural Tested to psf	Certification Rating	Design Pressure (DP)	Max Overall		Max Overall	
						in	mm	in	mm
Clad Direct Glaze Polygon and Round Top	1.57	8.25	75	CW-PG50-FW	50	84	(2134)	97	(2464)

Impact Product	Air Tested to psf	Water Tested to psf	Structural Tested to psf	Certification Rating	Design Pressure (DP)	Max Overall		Max Overall	
						in	mm	in	mm
Clad Direct Glaze Polygon and Round Top IZ3	1.57	8.25	82.5	CW-PG55-FW	+55/-65	73	(1854)	73	(1854)
Clad Direct Glaze Polygon and Round Top IZ3	1.57	8.25	82.5	CW-PG55-FW	+55/-65	48	(1219)	120	(3048)
Clad Direct Glaze Polygon and Round Top IZ4	1.57	10.5	+105/-112.5	CW-PG70-FW	+70/-75	60	(1524)	120	(3048)
Clad Direct Glaze Polygon and Round Top IZ4	1.57	14.25	142.5	CW-PG95-FW	+95/-95	36	(914)	96	(2438)

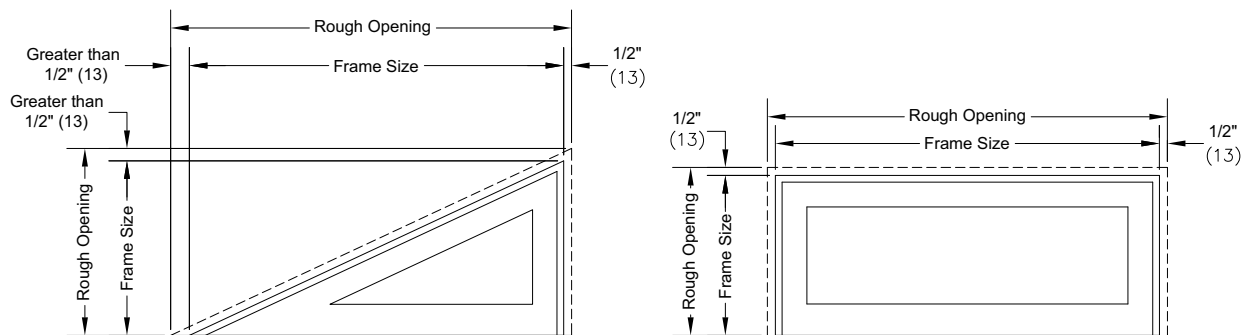
NOTE: For CE ratings, please visit www.marvin.com/ce_technical_manual

Clad Direct Glaze Polygon and Round Top

Measurement Conversions: Clad Direct Glaze Polygon

Unit Measurements		Width		Height	
From	To	in	mm	in	mm
Rough Opening					
OM of Frame	Rough Opening	+ 1	(25)	+ 1/2	(13)
Masonry Opening w/out CBMC	Rough Opening	+ 1/2	(13)	+ 1/4	(06)
Masonry Opening w/BMC	Rough Opening	-2 1/8	(54)	-1 11/16	(43)
Masonry Opening w/Flat Casing	Rough Opening	-5 1/2	(140)	-3 3/8	(86)
Glass Size	Rough Opening	+ 3 9/16	(90)	+ 3 1/16	(78)
Grilles					
Rough Opening	Daylight Opening	-4 15/16	(125)	-4 7/16	(113)

NOTE: Minimum angle on any shape is 15 degrees.



NOTE: 1/2" (13) Rough Opening tolerance is maintained perpendicular to the frame of polygon units.

1/4" (6) Masonry Opening tolerance is maintained perpendicular to the frame or casing of polygon units.

Measurement tolerances vary due to polygon angles. Specify either Frame Size or Rough Opening measurement, Marvin will calculate the appropriate tolerances.

Elevations above are shown without casing.

Clad Direct Glaze Polygon and Round Top

Slope To Angle and Angle to Pitch Conversion - Clad Direct Glaze Polygon

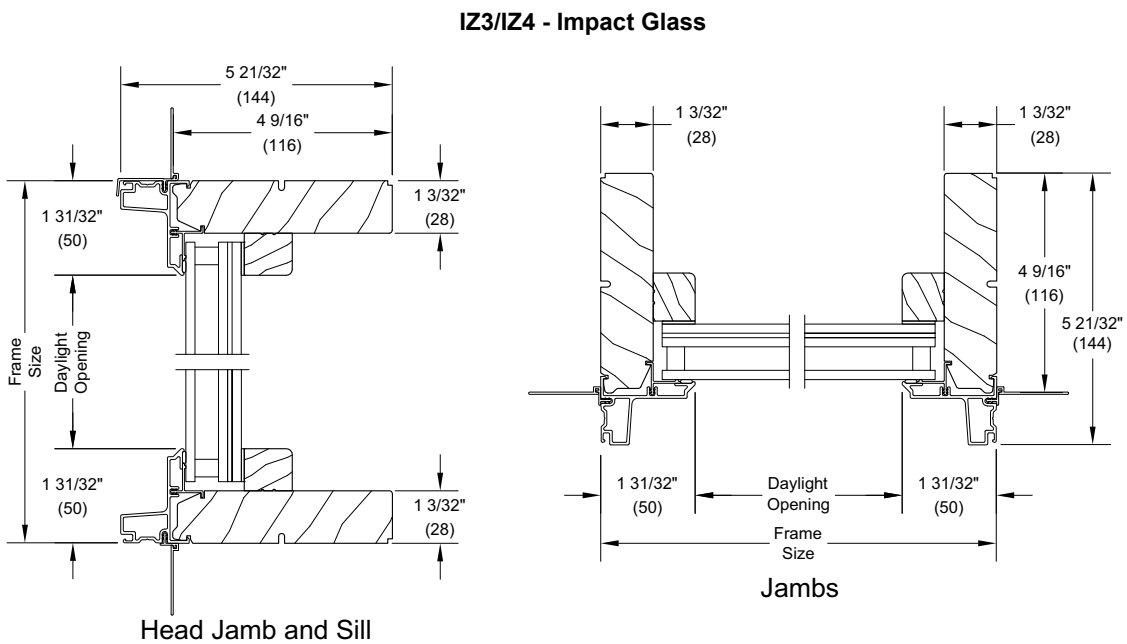
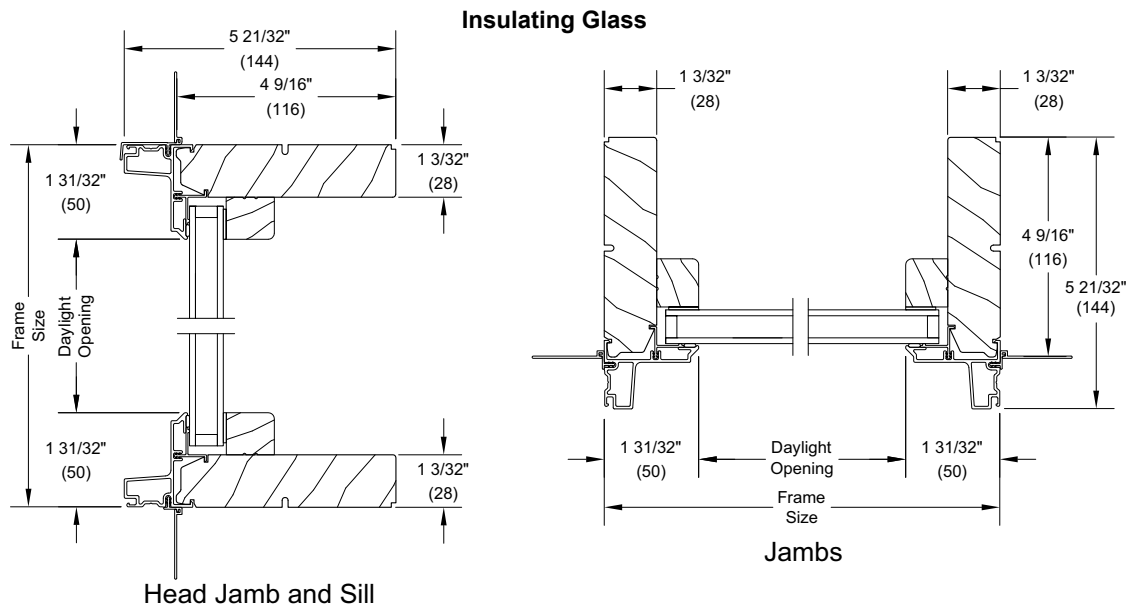
Slope to Angle / Degree Conversions					
Slope	Angle	Degree / Minutes	Slope	Angle	Degree / Minutes
1/12	4.76	4 degree 46'	13/12	47.29	47 degree 14'
2/12	9.46	9 degree 28'	14/12	53.13	49 degree 24'
3/12	14.04	14 degree 2'	15/12	54.78	51 degree 20'
4/12	18.43	18 degree 26'	16/12	56.31	53 degree 8'
5/12	22.62	22 degree 37'	17/12	54.78	54 degree 47'
6/12	26.57	26 degree 34'	18/12	56.31	56 degree 19'
7/12	30.26	30 degree 15'	19/12	57.72	57 degree 43'
8/12	33.69	33 degree 41'	20/12	59.04	59 degree 2'
9/12	36.87	36 degree 52'	21/12	60.26	60 degree 15'
10/12	39.81	39 degree 48'	22/12	61.39	61 degree 23'
11/12	42.51	42 degree 31'	23/12	62.45	62 degree 27'
12/12	45.00	45 degree 0'	24/12	63.43	63 degree 26'

Angle to Pitch conversions							
Angle	Pitch	Angle	Pitch	Angle	Pitch	Angle	Pitch
1	0.21/12	26	5.85/12	51	14.82/12	76	48.13/12
2	0.42/12	27	6.11/12	52	15.36/12	77	51.98/12
3	0.63/12	28	6.38/12	53	15.92/12	78	56.56/12
4	0.84/12	29	6.65/12	54	16.52/12	79	61.73/12
5	1.05/12	30	6.93/12	55	17.14/12	80	68.06/12
6	1.26/12	31	7.21/12	56	17.79/12	81	75.77/12
7	1.47/12	32	7.50/12	57	18.48/12	82	85.38/12
8	1.69/12	33	7.79/12	58	19.20/12	83	97.73/12
9	1.90/12	34	8.09/12	59	19.97/12	84	114.17/12
10	2.12/12	35	8.40/12	60	20.78/12	85	137.16/12
11	2.33/12	36	8.72/12	61	21.65/12	86	171.61/12
12	2.55/12	37	9.04/12	62	22.57/12	87	228.97/12
13	2.77/12	38	9.38/12	63	23.55/12	88	343.64/12
14	2.99/12	39	9.72/12	64	24.60/12	89	687.48/12
15	3.22/12	40	10.07/12	65	25.73/12		
16	3.44/12	41	10.43/12	66	26.95/12		
17	3.67/12	42	10.80/12	67	28.27/12		
18	3.90/12	43	11.19/12	68	29.70/12		
19	4.13/12	44	11.59/12	69	31.26/12		
20	4.37/12	45	12.00/12	70	32.97/12		
21	4.61/12	46	12.43/12	71	34.85/12		
22	4.85/12	47	12.87/12	72	36.93/12		
23	5.09/12	48	13.33/12	73	39.25/12		
24	5.34/12	49	13.80/12	74	41.85/12		
25	5.60/12	50	14.30/12	75	44.78/12		

Clad Direct Glaze Polygon and Round Top

Section Details: Clad Direct Glaze Polygon - Standard and StormPlus IZ3/IZ4

Scale: 3' = 1' 0"

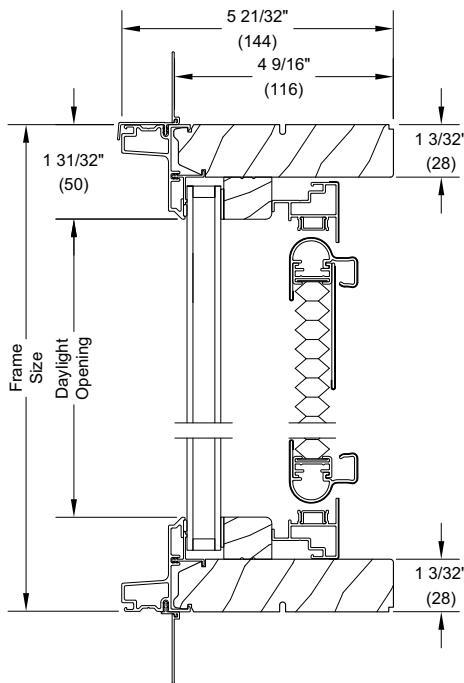
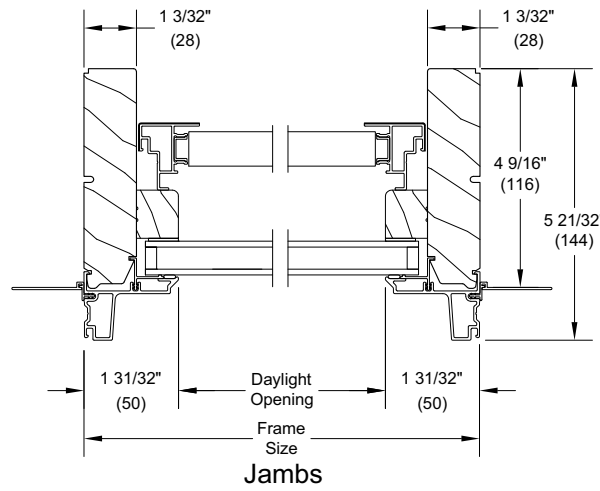


NOTE: CE mark is not available on Impact units

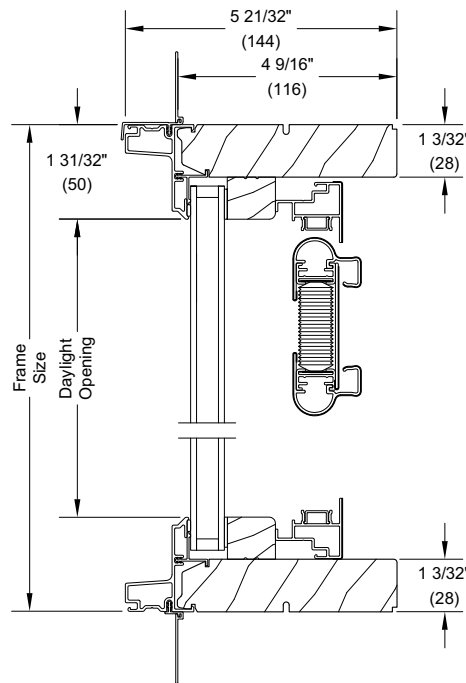
Clad Direct Glaze Polygon and Round Top

Section Details: Interior Shade Option

Scale: 3' = 1' 0"



Head Jamb and Sill
Shades Closed

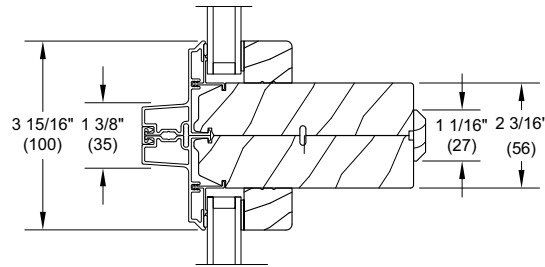


Head Jamb and Sill
Shades Open

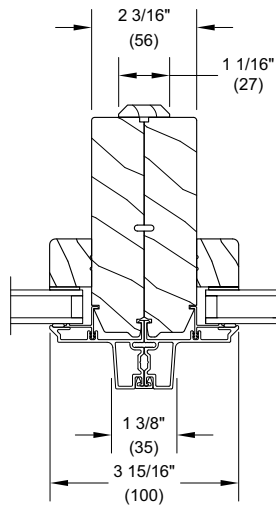
Clad Direct Glaze Polygon and Round Top

Section Details: Clad Direct Glaze Polygon Mullion Options

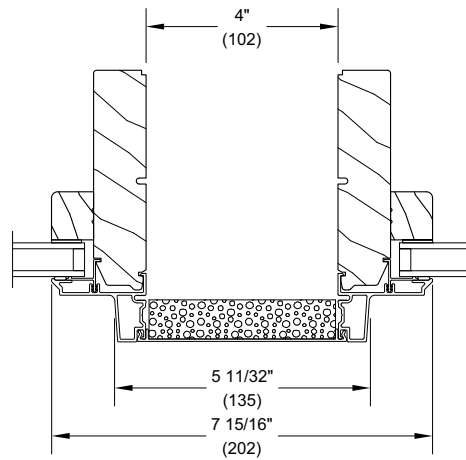
Scale: 3' = 1' 0"



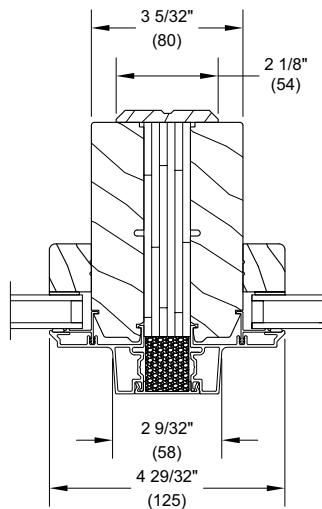
Horizontal Mullion



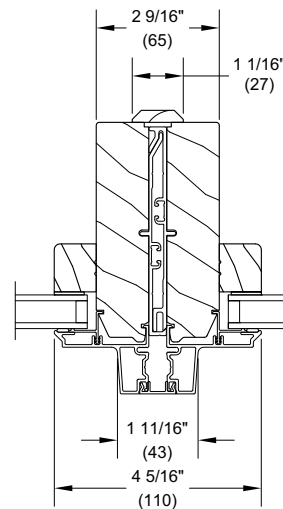
Vertical Mullion



4" Space Mull



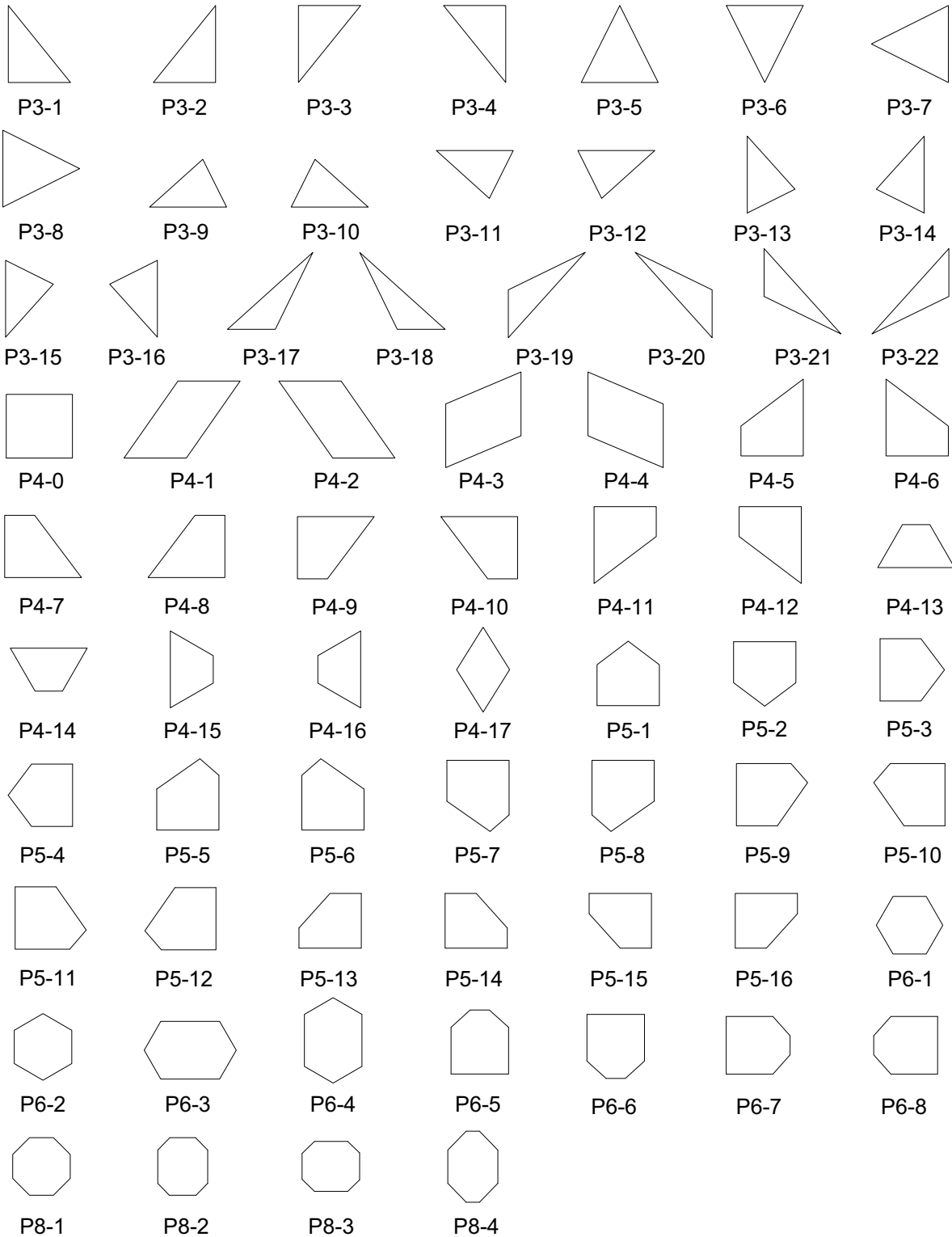
1" LVL Mullion



3/8" Mull Reinforcement

Clad Direct Glaze Polygon and Round Top

Clad Direct Glaze Polygon Shape Reference



Please contact your Marvin representative for availability and more information.

Clad Direct Glaze Polygon and Round Top

Unit Features: Clad Direct Glaze Polygon Corner Units

Clad Direct Glaze Polygon Corner Unit: CDGCNR

Frame:

- Rectangle only.
- Frame width: 4 9/16" (116)
- Frame thickness: 1 3/32" (28)

Glass and Glazing:

- Glazing seal:
 - Glazed from the interior
 - Exterior of the glass is sealed to cladding with glazing sealant
 - Interior of the glass is sealed to interior glazing bead with glazing tape
- Standard glass: insulating Low E2 Argon or air
 - Optional glazing available: Low E1 Argon or air, Low E3 Argon or air, clear, tints, tempered, obscure, and decorative glass
 - Optional tripane glazing available: Low E2/E1, Low E3/E1, Low E1/E1 air, Argon, Krypton-Argon, or Krypton fill
- Insulating glass will be altitude adjusted with capillary tubes for higher elevations
- Argon gas is not available for elevations that require capillary tubes

Mulling Options:

- Field-applied corner assembly.
- Factory mulling is available, horizontal or vertical, with the exception of the 90-degree assembly.
- Maximum mull assembly: Masonry Opening 144" x 103"
- Mulling options: direct mull, 3/8" mull reinforcement, 1" LVL structural mull, space mull, stud pocket

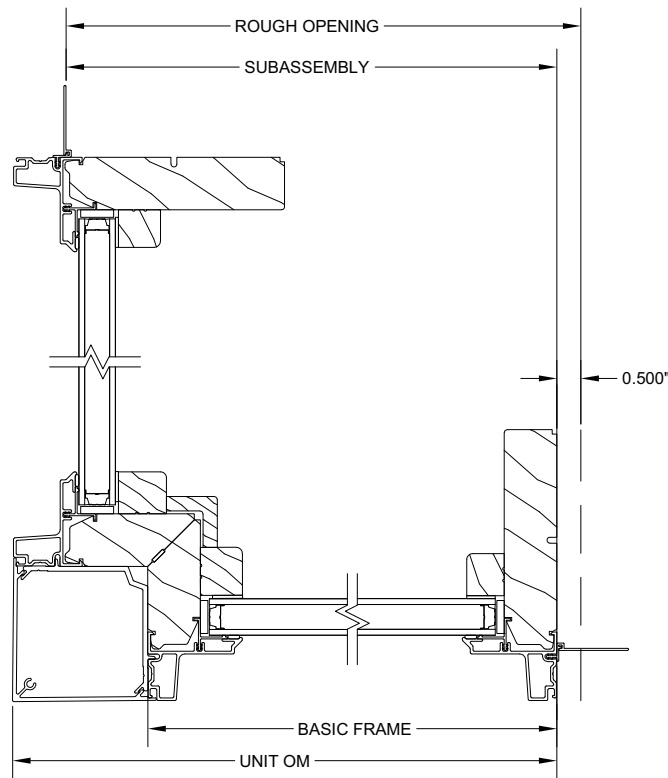
Minimum and Maximum Guidelines: Clad Direct Glaze Polygon Corner Units

Minimum and Maximum - Non - Certified Frame Size													
Unit Type		Basic Frame Min Width		Frame OM Min Height		Basic Frame Left Leg Max Width		Basic Frame Right Leg Max Width		Frame OM Max Height		Glass Size	
		in	mm	in	mm	in	mm	in	mm	in	mm	Sq. Ft.	Sq. Meters
CDGCNR	Insulating Glass	12	305	11 1/8	283	86 1/16	2186	86 1/16	2186	145 9/16	3697	60.99	5.67

Clad Direct Glaze Polygon and Round Top

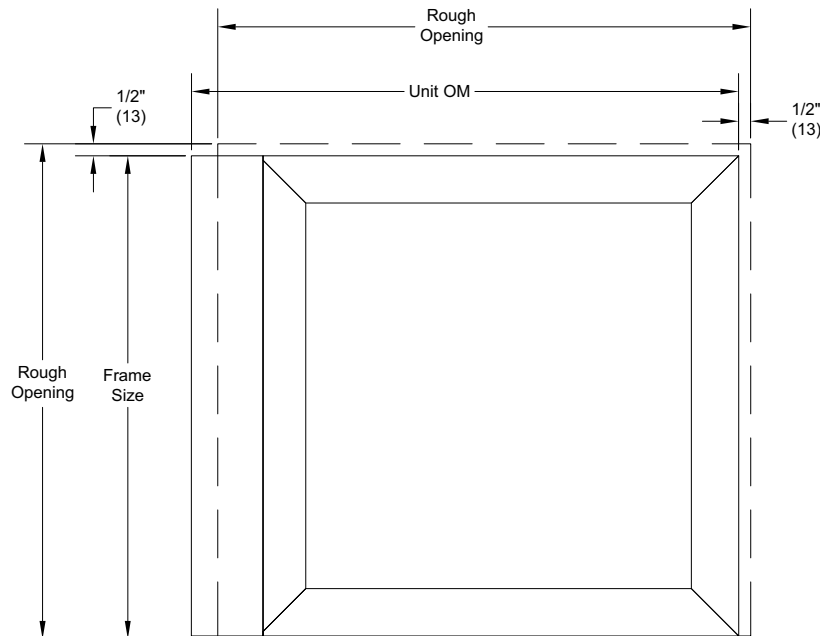
Certified Sizes and Ratings: Clad Direct Glaze Polygon Corner Units

Product	Air Tested to psf	Water Tested to psf	Structural Tested to psf	Certification Rating	Design Pressure (DP)	Basic Frame Left Leg Max Width		Basic Frame Right Leg Max Width		Frame OM Max Height	
						in	mm	in	mm	in	mm
Clad Direct Glaze Corner Window	1.57	7.5	75	SP - 50 - CW	50	82 1/4	2089	82 1/4	2089	97	2464



Measurement Conversions: Clad Direct Glaze Polygon Corner Units

CDG - 1" IG only - Standard Tempered Sizes					
From	To	Width (Left)	Width (Right)	Height (Top)	Height (Bottom)
Rough Opening		in	in	in	in
Subassembly	Rough Opening	0.500	0.000	0.500	0.000
Masonry Opening	Rough Opening	0.250	0.000	0.250	0.000
Masonry Opening w/BMC	Rough Opening	-1.063	0.000	-1.063	-0.625
Masonry Opening w/Flat Casing	Rough Opening	-2.750	0.000	-2.750	-0.625
Masonry Opening w/BMC (all sides)	Rough Opening	-1.063	0.000	-1.063	-1.313
Masonry Opening w/Flat Casing (all sides)	Rough Opening	-2.750	0.000	-2.750	-3.000
Frame size		in	in	in	in
Subassembly	Metal OM	0.000	1.093	0.000	0.000
Glass		in	in	in	in
Subassembly		-1.281	-3.020	-1.281	-1.281
Daylight Opening	Glass	0.688	0.688	0.688	0.688
Daylight Opening	Subassembly	1.969	3.706	1.969	1.969

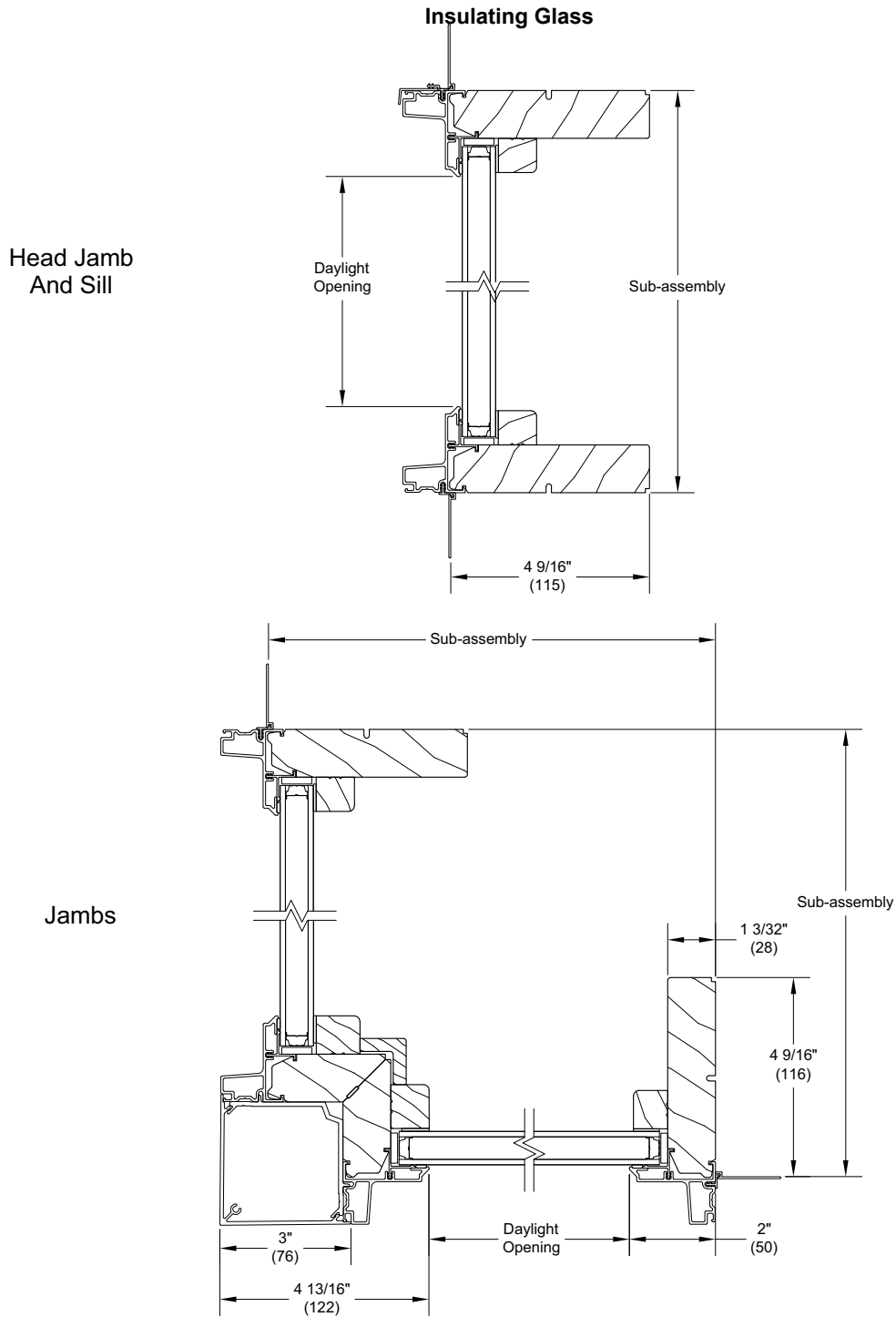


NOTE: 1/2" (13) Rough Opening tolerance is maintained perpendicular to the frame of polygon units.
 1/4" (6) Masonry Opening tolerance is maintained perpendicular to the frame or casing of polygon units.
 Elevations above are shown without casing.

Clad Direct Glaze Polygon and Round Top

Section Details: Clad Direct Glaze Polygon - Clad Direct Glaze Polygon Corner Units

Scale: 3' = 1' 0"



Clad Direct Glaze Polygon and Round Top

Unit Features: Clad Narrow Frame (Contemporary) Direct Glaze Polygon

Clad Narrow Frame (Contemporary) Direct Glaze Polygon: CNFDGPOLY, CCNTPRYDGPOLY

Frame:

- Frame width: 2 3/16" (56)
- Frame thickness: 1 3/16" (30)
- Minimum frame angle 15°

Glass and Glazing:

- Glazing seal:
 - Glazed from the interior
 - Exterior of the glass is sealed to cladding with glazing sealant
 - Interior of the glass is sealed to interior glazing bead with glazing tape
- Standard glass: 3/4" and 1" insulating Low E2 Argon or air
 - Optional glazing available: Low E1 Argon or air, Low E3 Argon or air, clear, tints, tempered, obscure, and decorative glass
 - Optional tripane glazing available: Low E2/E1, Low E3/E1, Low E1/E1 air, Argon, Krypton-Argon, or Krypton fill
- Insulating glass will be altitude adjusted with capillary tubes for higher elevations
- Argon gas is not available for elevations that require capillary tubes

Mulling Options:

- Factory mulling is available
- Maximum mull assembly: Masonry Opening 144" x 103"
- Mulling options: direct mull, 1" LVL structural mull, space mull, stud pocket

Clad Direct Glaze Polygon and Round Top

Minimum and Maximum Guidelines: Clad Narrow Frame (Contemporary) Direct Glaze Polygon

Minimum and Maximum - Non Certified Frame Size													
Unit Type		Unit Shape	Frame Size Min Width		Frame Size Min Height		Min Short Leg	Short Leg Max Overall		Long Leg Max Overall		Glass Size	
			in	mm	in	mm	in	in	mm	in	mm	Sq. Ft.	Sq. Meters
CNFDG	Insulating Glass	Rectangle	12	305	11 1/8	283	NA	86 1/4	2191	146 1/4	3715	60.99	5.67
CNFDGPOLY	Insulating Glass	P3	23	584	23 1/2	597	6	86 1/4	2191	146 1/4	3715	60.99	5.67
CNFDGPOLY	Insulating Glass	P4	15	381	15 1/2	394	6	86 1/4	2191	146 1/4	3715	60.99	5.67
CNFDGPOLY	Insulating Glass	P5	15	381	15 1/2	394	6	86 1/4	2191	146 1/4	3715	60.99	5.67
CNFDGPOLY	Insulating Glass	P6	15	381	15 1/2	394	6	86 1/4	2191	146 1/4	3715	60.99	5.67
CNFDGPOLY	Insulating Glass	P8	15	381	15 1/2	394	6	86 1/4	2191	146 1/4	3715	60.99	5.67

Clad Direct Glaze Polygon and Round Top

Certified Sizes and Ratings: Clad Narrow Frame (Contemporary) Direct Glaze Polygon

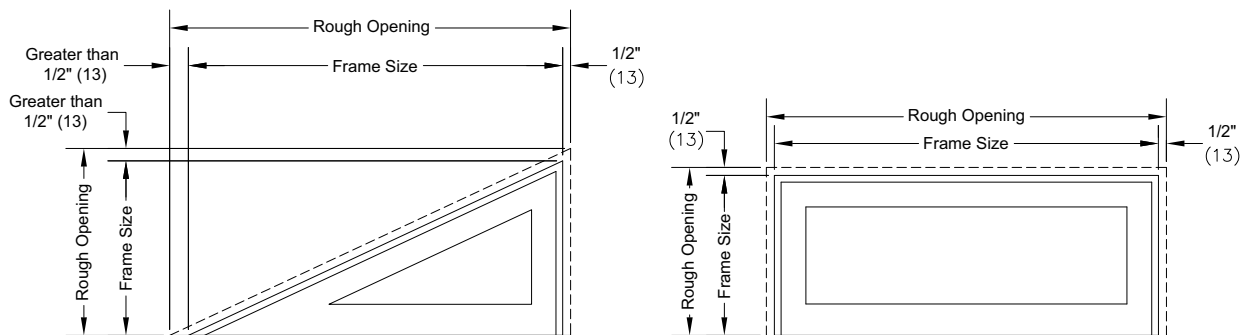
Certified Sizes and Ratings								
Product	Air Tested to psf	Water Tested to psf	Structural Tested to psf	Certification Rating	Design Pressure (DP)	Short Leg Max Overall Width	Long Leg Max Overall Height	Max overall glass (sqft)
Clad Narrow Frame Direct Glaze Window	1.57	7.5	75	SP - 50 - CW	50	76	146 1/4	60.99

Product	Air Tested to psf	Water Tested to psf	Structural Tested to psf	Certification Rating	Design Pressure (DP)	Short Leg Overall Width	Long Leg Max Overall Height	Max overall glass (sqft)
Clad Narrow Frame Direct Glaze Window	1.57	7.5	75	SP - 40 - CW	40	76 < W <= 86.25	120	60.99

Measurement Conversions: Clad Narrow Frame (Contemporary) Direct Glaze Polygon

Measurement Conversions					
Clad Narrow Frame Direct Glaze Inputs					
		Width (Left)	Width (Right)	Height (Top)	Height (Bottom)
From	To				
Rough Opening		in	in	in	in
Frame size	Rough Opening	0.5	0.5	0.5	0
Masonry Opening	Rough Opening	0.25	0.25	0.25	0
Masonry Opening w/BMC	Rough Opening	-1.063	-1.063	-1.063	-0.625
Masonry Opening w/Flat Casing	Rough Opening	-2.75	-2.75	-2.75	-0.625
Masonry Opening w/BMC (all sides)	Rough Opening	-1.063	-1.063	-1.063	-1.313
Masonry Opening w/Flat Casing (all sides)	Rough Opening	-2.75	-2.75	-2.75	-3
Glass		in	in	in	in
Frame OM	Glass	-1.376	-1.376	-1.376	-1.376
Daylight Opening	Glass	0.593	0.593	0.593	0.593
Daylight Opening	Frame OM	1.969	1.969	1.969	1.969

NOTE: Minimum angle on any shape is 15 degrees.



NOTE: 1/2" (13) Rough Opening tolerance is maintained perpendicular to the frame of polygon units.

1/4" (6) Masonry Opening tolerance is maintained perpendicular to the frame or casing of polygon units.

Measurement tolerances vary due to polygon angles. Specify either Frame Size or Rough Opening measurement, Marvin will calculate the appropriate tolerances.

Elevations above are shown without casing.

Clad Direct Glaze Polygon and Round Top

Slope To Angle and Angle to Pitch Conversion - Clad Narrow Frame (Contemporary) Direct Glaze Polygon

Slope to Angle /Degree Conversions		
Slope	Angle	Degree / Minutes
1/12	4.76	4 degree 46'
2/12	9.46	9 degree 28'
3/12	14.04	14 degree 2'
4/12	18.43	18 degree 26'
5/12	22.62	22 degree 37'
6/12	26.57	26 degree 34'
7/12	30.26	30 degree 15'
8/12	33.69	33 degree 41'
9/12	36.87	36 degree 52'
10/12	39.81	39 degree 48'
11/12	42.51	42 degree 31'
12/12	45.00	45 degree 0'
13/12	47.29	47 degree 14'
14/12	53.13	49 degree 24'
15/12	54.78	51 degree 20'
16/12	56.31	53 degree 8'
17/12	54.78	54 degree 47'
18/12	56.31	56 degree 19'
19/12	57.72	57 degree 43'
20/12	59.04	59 degree 2'
21/12	60.26	60 degree 15'
22/12	61.39	61 degree 23'
23/12	62.45	62 degree 27'
24/12	63.43	63 degree 26'

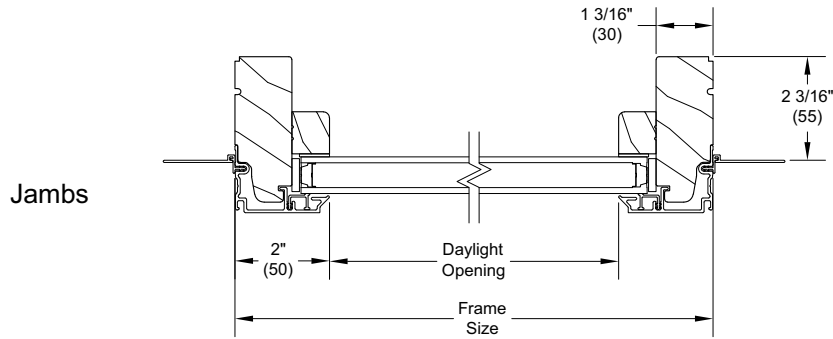
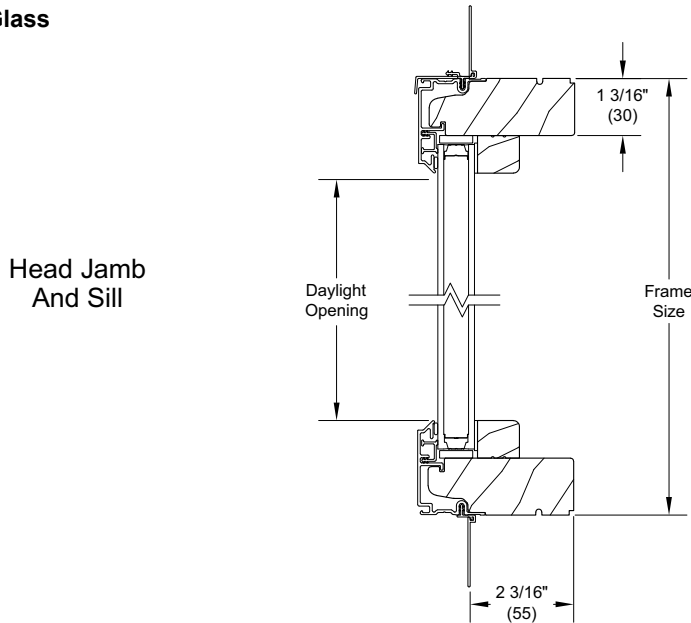
Angle to Pitch Conversions					
Angle	Pitch	Angle	Pitch	Angle	Pitch
1	0.21/12	31	7.21/12	61	21.65/12
2	0.42/12	32	7.50/12	62	22.57/12
3	0.63/12	33	7.79/12	63	23.55/12
4	0.84/12	34	8.09/12	64	24.60/12
5	1.05/12	35	8.40/12	65	25.73/12
6	1.26/12	36	8.72/12	66	26.95/12
7	1.47/12	37	9.04/12	67	28.27/12
8	1.69/12	38	9.38/12	68	29.70/12
9	1.90/12	39	9.72/12	69	31.26/12
10	2.12/12	40	10.07/12	70	32.97/12
11	2.33/12	41	10.43/12	71	34.85/12
12	2.55/12	42	10.80/12	72	36.93/12
13	2.77/12	43	11.19/12	73	39.25/12
14	2.99/12	44	11.59/12	74	41.85/12
15	3.22/12	45	12.00/12	75	44.78/12
16	3.44/12	46	12.43/12	76	48.13/12
17	3.67/12	47	12.87/12	77	51.98/12
18	3.90/12	48	13.33/12	78	56.56/12
19	4.13/12	49	13.80/12	79	61.73/12
20	4.37/12	50	14.30/12	80	68.06/12
21	4.61/12	51	14.82/12	81	75.77/12
22	4.85/12	52	15.36/12	82	85.38/12
23	5.09/12	53	15.92/12	83	97.73/12
24	5.34/12	54	16.52/12	84	114.17/12
25	5.60/12	55	17.14/12	85	137.16/12
26	5.85/12	56	17.79/12	86	171.61/12
27	6.11/12	57	18.48/12	87	228.97/12
28	6.38/12	58	19.20/12	88	343.64/12
29	6.65/12	59	19.97/12	89	687.48/12
30	6.93/12	60	20.78/12		

Clad Direct Glaze Polygon and Round Top

Section Details: Clad Narrow Frame (Contemporary) Direct Glaze and Direct Glaze Polygon

Scale: 3' = 1' 0"

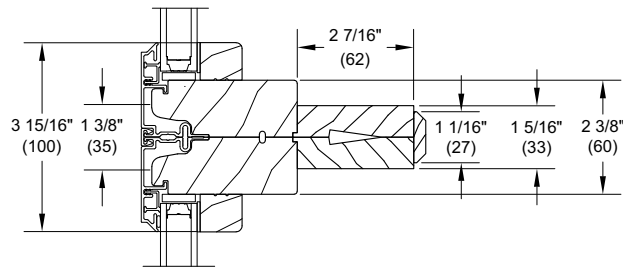
Insulating Glass



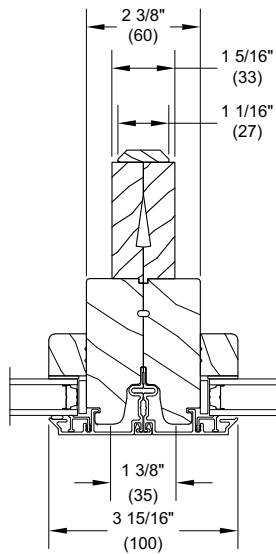
Clad Direct Glaze Polygon and Round Top

Section Details: Clad Narrow Frame (Contemporary) Direct Glaze Polygon Mullion Options

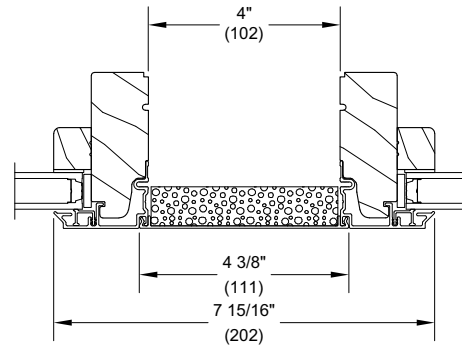
Scale: 3' = 1' 0"



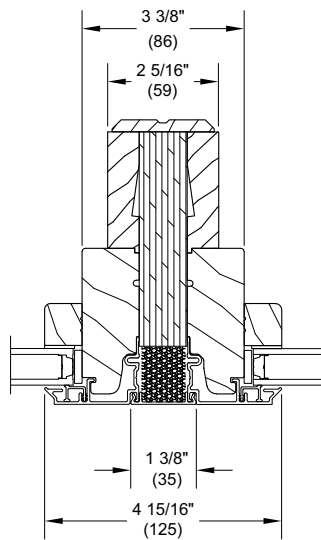
Horizontal Mullion



Vertical Mullion



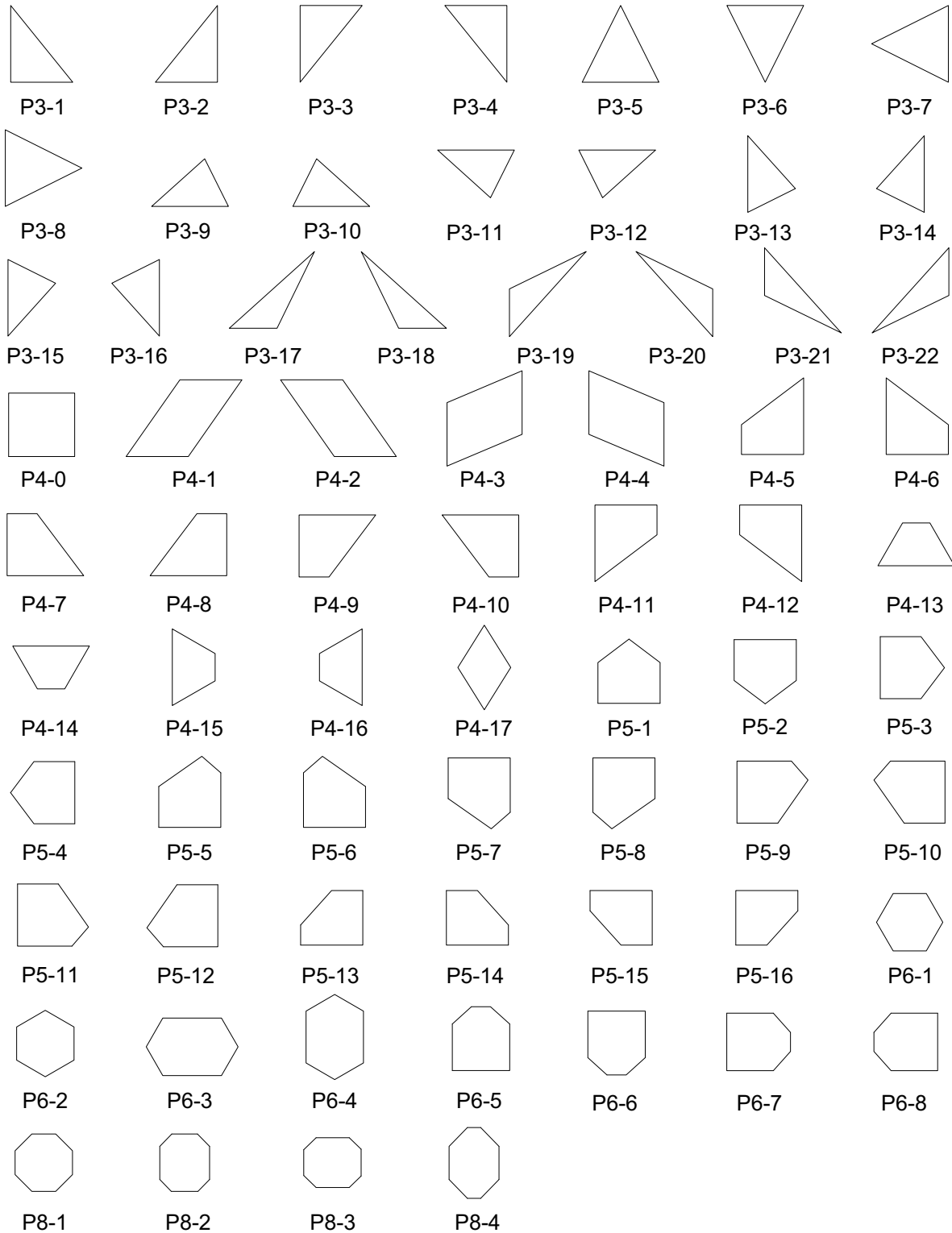
4" Space Mull



1" LVL Mullion

Clad Direct Glaze Polygon and Round Top

Clad Narrow Frame (Contemporary) Direct Glaze Polygon Shape Reference



Please contact your Marvin representative for availability and more information.

Clad Direct Glaze Polygon and Round Top

Unit Features: Clad Narrow Frame (Contemporary) Direct Glaze Corner Units

Clad Narrow Frame (Contemporary) Direct Glaze Corner Unit: CNFDGCNR

Frame:

- Frame width: 2 3/16" (56)
- Frame thickness: 1 3/16" (30)
- Minimum frame angle 15°

Glass and Glazing:

- Glazing seal:
 - Glazed from the interior
 - Exterior of the glass is sealed to cladding with glazing sealant
 - Interior of the glass is sealed to interior glazing bead with glazing tape
- Standard glass: 3/4" and 1" Insulating Low E2 Argon or air
 - Optional glazing available: Low E1 Argon or air, Low E3 Argon or air, clear, tints, tempered, obscure, and decorative glass
 - Optional tripane glazing available: Low E2/E1, Low E3/E1, Low E1/E1 air, Argon, Krypton-Argon, or Krypton fill
- Insulating glass will be altitude adjusted with capillary tubes for higher elevations
- Argon gas is not available for elevations that require capillary tubes

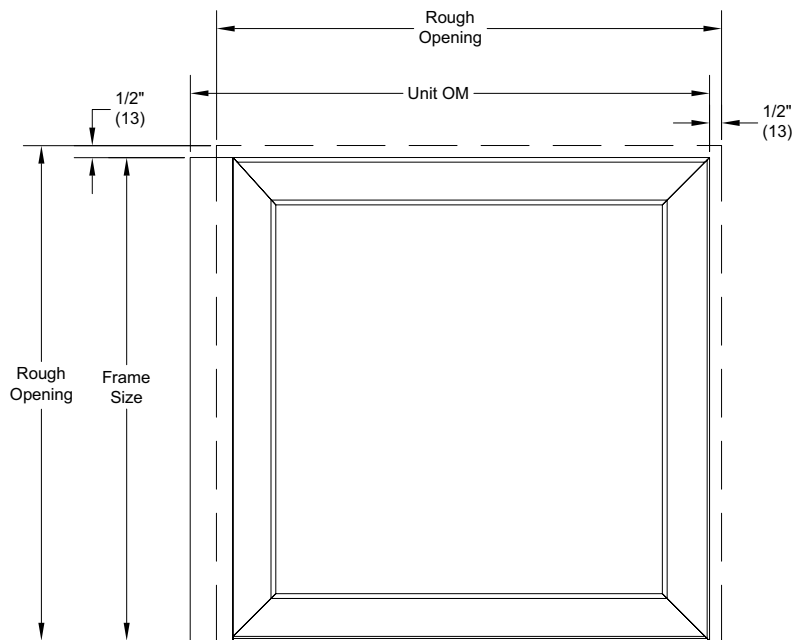
Mulling Options:

- Factory mulling is available with the exception of the 90-degree assembly
- Maximum mull assembly: Masonry Opening 144" x 103"
- Mulling options: direct mull, 1" LVL structural mull, space mull, stud pocket

Clad Direct Glaze Polygon and Round Top

Minimum and Maximum Guidelines: Clad Narrow Frame (Contemporary) Direct Glaze Corner Units

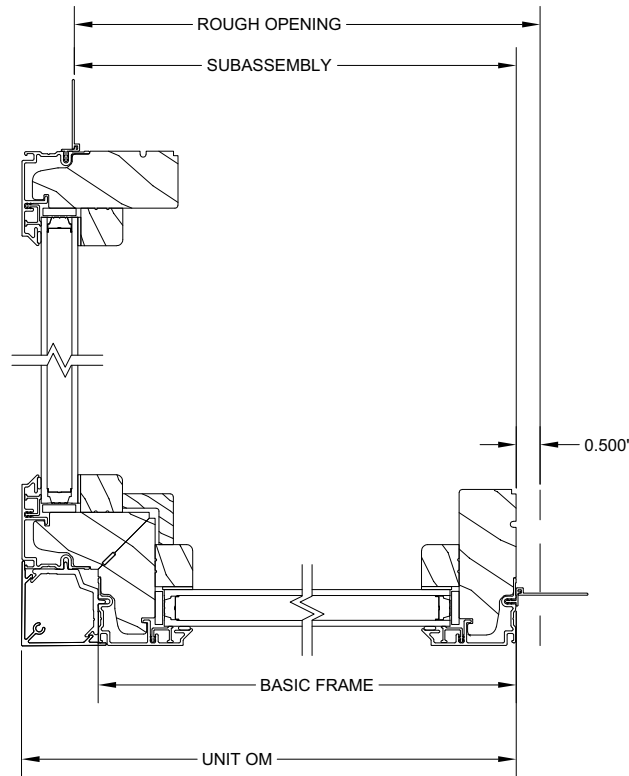
Unit Type	Minimum and Maximum Frame Sizes											
	Basic Frame Min Width		Frame OM Min Height		Basic Frame Left Leg Max Width		Basic Frame Right Leg Max Width		Frame OM Max Height		Glass Size	
	in	mm	in	mm	in	mm	in	mm	in	mm	sq ft	sq m
Insulating Glass	12	305	11 1/8	283	86 1/4	2191	86 1/4	2191	146 1/4	3715	60.99	5.67



Clad Direct Glaze Polygon and Round Top

Certified Sizes and Ratings: Clad Narrow Frame (Contemporary) Direct Glaze Corner Units

Product	Air Tested to psf	Water Tested to psf	Structural Tested to psf	Certification Rating	Design Pressure (DP)	Basic Frame Left Leg Max Width		Basic Frame Right Leg Max Width		Frame OM Max Height	
						in	mm	in	mm	in	mm
Clad Narrow Frame Direct Glaze Corner Window	1.57	7.5	75	SP - 50 - CW	50	75 1/2	1918	75 1/2	1918	120	3048

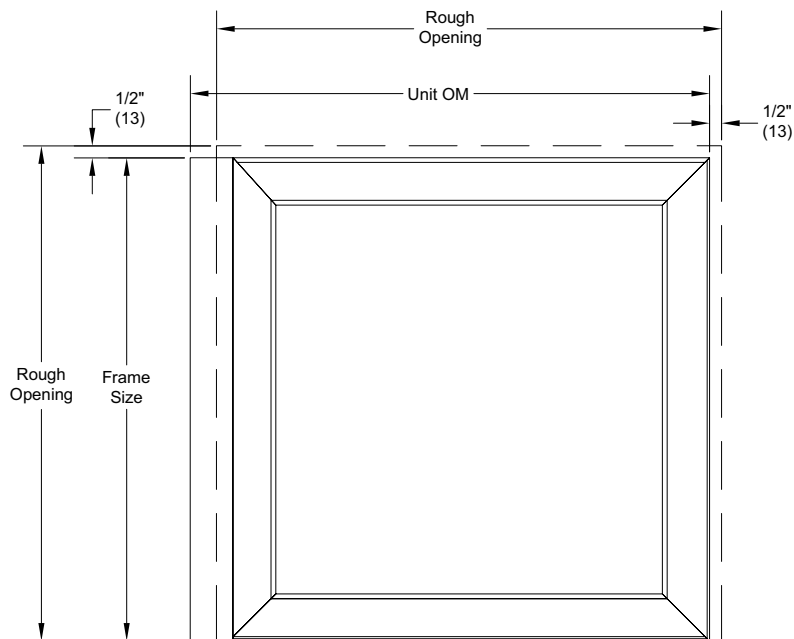


Clad Direct Glaze Polygon and Round Top

Measurement Conversions: Clad Narrow Frame (Contemporary) Direct Glaze Corner Units

Measurement Conversions					
Clad Narrow Frame Direct Glaze Corner Inputs					
From	To	Width (Left)	Width (Right)	Height (Top)	Height (Bottom)
Rough Opening		in	in	in	in
Subassembly	Rough Opening	0.5	0	0.5	0
Masonry Opening	Rough Opening	0.25	0	0.25	0
Masonry Opening w/BMC	Rough Opening	-1.063	0	-1.063	-0.625
Masonry Opening w/Flat Casing	Rough Opening	-2.75	0	-2.75	-0.625
Masonry Opening w/BMC (all sides)	Rough Opening	-1.063	0	-1.063	-1.313
Masonry Opening w/Flat Casing (all sides)	Rough Opening	-2.75	0	-2.75	-3
Frame size		in	in	in	in
Subassembly	Metal OM	0	1.093	0	0
Glass		in	in	in	in
Subassembly	Glass	-1.376	-1.88	-1.376	-1.376
Basic Frame	Glass	-1.376	-1.376	-1.376	-1.376
Daylight Opening	Glass	0.593	0.593	0.593	0.593
Daylight Opening	Frame OM	1.969	2.474	1.969	1.969

NOTE: Minimum angle on any shape is 15 degrees.



NOTE: 1/2" (13) Rough Opening tolerance is maintained perpendicular to the frame of polygon units.

1/4" (6) Masonry Opening tolerance is maintained perpendicular to the frame or casing of polygon units.

Elevations above are shown without casing.

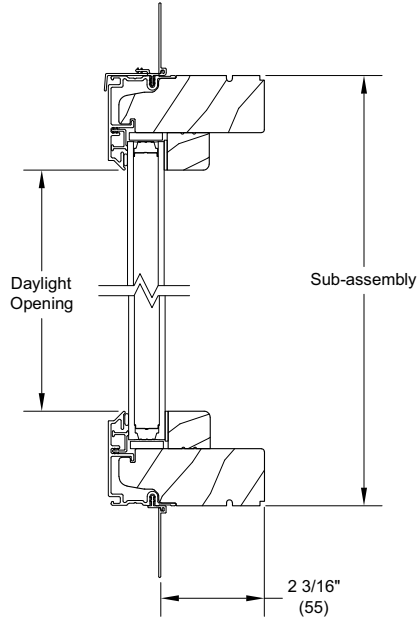
Clad Direct Glaze Polygon and Round Top

Section Details: Clad Narrow Frame (Contemporary) Direct Glaze Corner Units

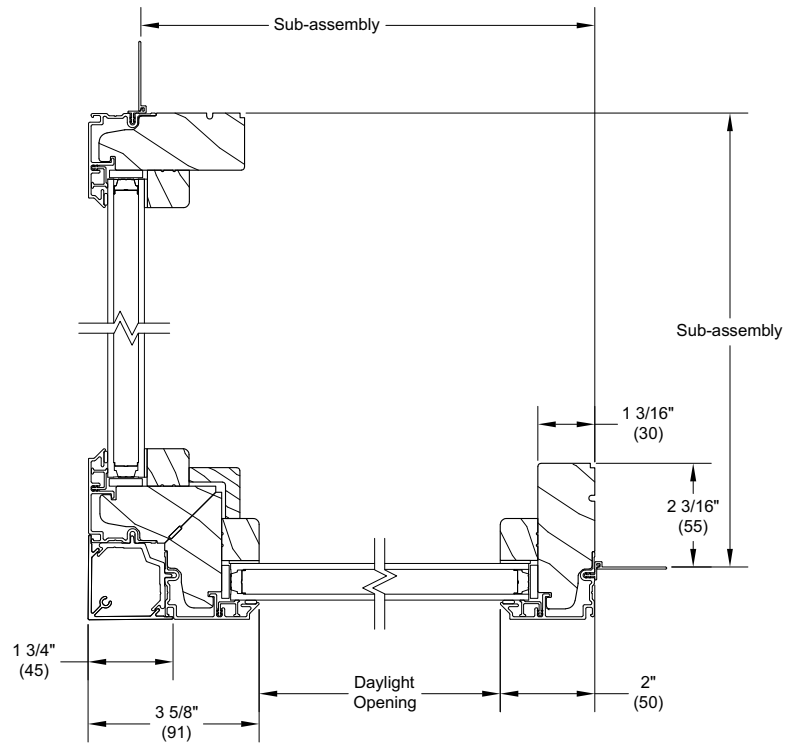
Scale: 3' = 1' 0"

Insulating Glass

Head Jamb
And Sill



Jambs



Clad Direct Glaze Polygon and Round Top

Unit Features: Clad Direct Glaze Round Top

Clad Direct Glaze Round Top: CDGRT

Frame:

- Frame thickness: 1 1/16" (17)
- Frame width: 4 9/16" (116)
- Curved frames have laminated wood, straight frames have non finger-jointed wood

Glass and Glazing:

- Glazing seal:
 - Glazed from the interior
 - Silicone glazed to the interior and exterior
- Standard glass: insulating Low E2 Argon or air
 - Optional glazing available: Low E1 Argon or air, Low E3 Argon or air, clear, tints, tempered, obscure, and decorative glass
 - Optional tripane glazing available: Low E2/E1, Low E3/E1, Low E1/E1 air, Argon, Krypton-Argon, or Krypton fill
- Insulating glass will be altitude adjusted with capillary tubes for higher elevations
- Argon gas is not available for elevations that require capillary tubes

CE Optional Glazing:

- Glazing seal: silicone glazed
- Standard glass: Insulating Low E2 Argon or air
 - Optional glazing available: Low E1 Argon or air, Low E3 Argon or air, clear, laminated clear & tints, tempered, sandblasted
 - Optional tripane glazing available: Low E2/E1, Low E3/E1, Low E1/E1 air, Argon, Krypton-Argon, or Krypton fill
- Glass panes available in 3, 4, and 6 mm thicknesses
- Laminated panes available in 7.0 and 7.8 mm thicknesses
- Insulating glass will be altitude adjusted with capillary tubes for higher elevations
- Argon gas is not available for elevations that require capillary tubes

Glazing for Impact Units:

- Glazing seal:
 - Glazed from the interior against a bead of silicone
 - The perimeter of the glass is backfilled with silicone
 - The interior wood bead is secured to the frame with 1 3/8" (35) brad nails nominal 5" on center
 - Impact glass setting blocks are used to reduce the chance of glass sliding

Mulling Options:

- Factory mulling is available
- Maximum mulled assembly: Masonry Opening 144" x 103"
- Mulling options: direct mull, 3/8" mull reinforcement, 1" LVL structural mull, space mull, stud pocket

CE Mulling Options:

- Mulled assemblies up to 64" (1626) x 71 1/8" (1807) as a 1H x multi-width
- Mulled assemblies with 1" (25) LVL or 3/8" (10) aluminum mull reinforcement up to 122" (3099) x 104 1/4" (2648) as a multi-wide or multi-high assembly

Clad Direct Glaze Polygon and Round Top

Min/Max Guidelines: Clad Direct Glaze Round Top

Minimum Guidelines - Direct Glaze Round Tops				
Unit Type	Frame Size			
	Min Width		Min Height	
	in	mm	in	mm
True Half RT1	17	(432)	8 1/2	(216)
Eyebrow above Springline RT6	9	(229)	9 1/2	(241)
Quarter Round RT7 or RT8	8 1/2	(216)	8 1/2	(216)
Full Circle RT27	21 1/2	(546)	21 1/2	(546)
Full Ellipse RT28	23	(584)	35 1/2	(902)

Maximum Guidelines - Direct Glaze Round Tops									
Unit Type		Non-Certified Frame Size				Certified Frame Size			
		Max Width		Max Height		Max Width		Max Height	
		in	mm	in	mm	in	mm	in	mm
Single Glaze	All Shapes	144 3/4	(3677)	53 1/16	(1348)	84	(2134)	87	(2210)
		89 11/16	(2278)	85 1/4	(2165)	75	(1905)	97	(2464)
		85 1/4	(2165)	89 11/16	(2278)	87	(2210)	84	(2134)
		53 1/16	(1348)	144 3/4	(3677)	97	(2464)	75	(1905)
Insulating Glass	All Shapes	144 3/4	(3677)	63 1/8	(1603)	84	(2134)	97	(2464)
		106 15/16	(2716)	85 1/4	(2165)				
		85 1/4	(2165)	106 15/16	(2716)				
		63 1/8	(1603)	144 3/4	(3677)	97	(2464)	84	(2134)
CE Product	All Shapes					84	(2134)	96	(2438)
						96	(2438)	84	(2134)

Maximum Guidelines - Direct Glaze Tops					
Unit Type		Certified Frame Size			
		Max Width		Max Height	
		in	mm	in	mm
IZ3 Impact Product	All Shapes	48	(1219)	120	(3048)
		73	(1854)	73	(1854)
		120	(3048)	48	(1219)

NOTE: Single Glaze and IZ3 impact products are not available with CE mark

Clad Direct Glaze Polygon and Round Top

Certified Sizes: Clad Direct Glaze Round Top

Standard Product	Air Tested to psf	Water Tested to psf	Structural Tested to psf	Certification Rating	Design Pressure (DP)	Max Overall		Max Overall	
						in	mm	in	mm
Clad Direct Glaze Polygon and Round Top	1.57	8.25	75	CW-PG50-FW	50	84	(2134)	97	(2464)

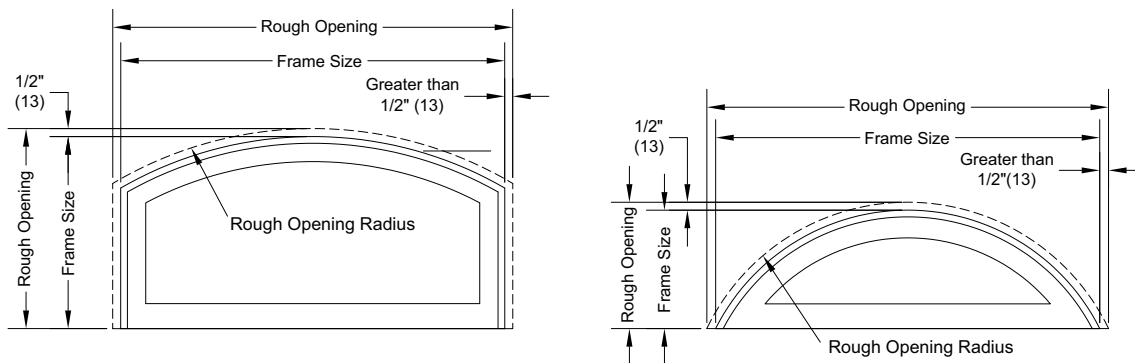
Impact Product	Air Tested to psf	Water Tested to psf	Structural Tested to psf	Certification Rating	Design Pressure (DP)	Max Overall		Max Overall	
						in	mm	in	mm
Clad Direct Glaze Polygon and Round Top IZ3	1.57	8.25	82.5	CW-PG55-FW	+55/-65	73	(1854)	73	(1854)
Clad Direct Glaze Polygon and Round Top IZ3	1.57	8.25	82.5	CW-PG55-FW	+55/-65	48	(1219)	120	(3048)
Clad Direct Glaze Polygon and Round Top IZ4	1.57	10.5	+105/-112.5	CW-PG70-FW	+70/-75	60	(1524)	120	(3048)
Clad Direct Glaze Polygon and Round Top IZ4	1.57	14.25	142.5	CW-PG95-FW	+95/-95	36	(914)	96	(2438)

NOTE: For CE ratings, please visit www.marvin.com/ce_technical_manual

Clad Direct Glaze Polygon and Round Top

Measurement Conversions: Clad Direct Glaze Round Top

Unit Measurements		Width		Height	
From	To				
Rough Opening		in	mm	in	mm
OM of Frame	Rough Opening	+ 1	(25)	+ 1/2	(13)
Masonry Opening w/out BMC	Rough Opening	+ 1/2	(13)	+ 1/4	(06)
Masonry Opening w/BMC	Rough Opening	-2 1/8	(54)	-1 11/16	(43)
Masonry Opening w/Flat Casing	Rough Opening	-5 1/2	(140)	-3 3/8	(86)
Masonry Opening w/BMC (all sides)	Rough Opening	-2 1/8	(54)	NA	NA
Masonry Opening w/Flat Casing (all sides)	Rough Opening	-5 1/2	(140)	NA	NA
Frame		in	mm	in	mm
Daylight Opening	OM of Frame	+ 3 1/8	(79)	+ 3 1/8	(79)
Glass		in	mm	in	mm
Daylight Opening	Glass	+ 1 3/8	(35)	+ 1 3/8	(35)



NOTE: On all units, we maintain our clearance or conversion dimension perpendicular to the frame. For this reason, standard rectangular conversions cannot be used for any unit involving a radius or angles. These must be calculated on an individual basis. If any dimension is critical (such as frame OSM to match lower unit) then the order should be placed with that dimension. The order will be converted to the accurate rough openings.

Standard Sizes: Clad Ultimate Casement Full Circle and Ellipse Series

Full Circle and Ellipse Direct Glaze Round Tops									
Shape - RT27 - Full Circle									
CN		Width				Height			
		Masonry Opening		Rough Opening		Masonry Opening		Rough Opening	
		ft-in	mm	ft-in	mm	ft-in	mm	ft-in	mm
CRT	2750	2-1	(635)	2-1 1/2	(648)	2-1	(635)	2-1 1/2	(648)
CRT	3950	3-1	(940)	3-1 1/2	(953)	3-1	(940)	3-1 1/2	(953)
CRT	5150	4-1	(1245)	4-1 1/2	(1257)	4-1	(1245)	4-1 1/2	(1257)
Shape - RT28 - Full Elliptical									
CRT	2436	2-0 1/2	(622)	2-1	(635)	3-0 1/2	(927)	3-1	(940)
CRT	3248	2-8 1/2	(826)	2-9	(838)	4-0 1/2	(1232)	4-1	(1245)
CRT	4060	3-4 1/2	(1029)	3-5	(1041)	5-0 1/2	(1537)	5-1	(1549)

Clad Direct Glaze Polygon and Round Top

Standard Sizes: Clad Ultimate Casement True Half, Elliptical and Quarter Circle

Clad Ultimate Casement/Awning Direct Glaze Round Tops									
Shape - RT1 - True Half Circle									
CN		Width				Height			
		Masonry Opening		Rough Opening		Masonry Opening		Rough Opening	
		ft-in	mm	ft-in	mm	ft-in	mm	ft-in	mm
CRT	2010	1-8 1/2	(521)	1-9	(533)	0-10 1/4	(260)	0-10 1/2	(267)
CRT	2412	2-0 1/2	(622)	2-1	(635)	1-0 1/4	(311)	1-0 1/2	(318)
CRT	2814	2-4 1/2	(724)	2-5	(737)	1-2 1/4	(362)	1-2 1/2	(368)
CRT	3216	2-8 1/2	(826)	2-9	(838)	1-4 1/4	(413)	1-4 1/2	(419)
CRT	3618	3-0 1/2	(927)	3-1	(940)	1-6 1/4	(464)	1-6 1/2	(470)
CRT	4020	3-4 1/2	(1029)	3-5	(1041)	1-8 1/4	(514)	1-8 1/2	(521)
CRT	4824	4-0 1/2	(1232)	4-1	(1245)	2-0 1/4	(616)	2-0 1/2	(622)
CRT	5628	4-8 1/2	(1435)	4-9	(1448)	2-4 1/4	(718)	2-4 1/2	(724)
CRT	6026	5-0 1/2	(1537)	5-1	(1549)	2-6 1/4	(768)	2-6 1/2	(775)
CRT	6432	5-4 1/2	(1638)	5-5	(1651)	2-8 1/4	(819)	2-8 1/2	(826)
CRT	7236	6-0 1/2	(1842)	6-1	(1854)	3-0 1/4	(921)	3-0 1/2	(927)
CRT	8442	7-0 1/2	(2146)	7-1	(2159)	3-6 1/4	(1073)	3-6 1/2	(1080)
CRT	9648	8-0 1/2	(2451)	8-1	(2464)	4-0 1/4	(1226)	4-0 1/2	(1232)
Shape - RT29 - Elliptical									
CRT	4017	3-4 1/2	(1029)	3-5	(1041)	1-5 11/16	(449)	1-5 15/16	(456)
CRT	4817	4-0 1/2	(1232)	4-1	(1245)	1-5 11/16	(449)	1-5 15/16	(456)
CRT	5617	4-8 1/2	(1435)	4-9	(1448)	1-5 11/16	(449)	1-5 15/16	(456)
CRT	7217	6-0 1/2	(1842)	6-1	(1854)	1-5 11/16	(449)	1-5 15/16	(456)
CRT	8417	7-0 1/2	(2146)	7-1	(2159)	1-5 11/16	(449)	1-5 15/16	(456)
Shape - RT15,16 - Quarter Circle									
CRT	2020	1-8 1/2	(521)	1-9	(533)	1-7 3/8	(492)	1-7 5/8	(498)
CRT	2424	2-0 1/2	(622)	2-1	(635)	1-11 3/8	(594)	1-11 5/8	(600)
CRT	2828	2-4 1/2	(724)	2-5	(737)	2-3 3/8	(695)	2-3 5/8	(702)
CRT	3232	2-8 1/2	(826)	2-9	(838)	2-7 3/8	(797)	2-7 5/8	(803)
CRT	3636	3-0 1/2	(927)	3-1	(940)	2-11 3/8	(899)	2-11 5/8	(905)
CRT	4040	3-4 1/2	(1029)	3-5	(1041)	3-3 3/8	(1000)	3-3 5/8	(1006)
CRT	4848	4-0 1/2	(1232)	4-1	(1245)	3-11 3/8	(1203)	3-11 5/8	(1210)

Clad Direct Glaze Polygon and Round Top

Standard Sizes: Clad Ultimate Casement Eyebrow Above Springline

Clad Ultimate Casement/Awning Direct Glaze Round Tops																	
Shape - RT6 - Eyebrow Above Springline																	
CN	Width								Height								
	Masonry Opening		Masonry Opening Radius		Rough Opening		Rough Opening Radius		Masonry Opening		Masonry Opening Springline		Rough Opening		Rough Opening Springline		
	ft-in	mm	ft-in	mm	ft-in	mm	ft-in	mm	ft-in	mm	ft-in	mm	ft-in	mm	ft-in	mm	
CRT	2411	2-0 1/2	(622)	2-0 1/4	(616)	2-1	(635)	2-0 1/2	(622)	1-0 1/4	(311)	0-8 59/64	(227)	1-0 1/2	(318)	0-9 5/64	(230)
CRT	2419	2-0 1/2	(622)	2-0 1/4	(616)	2-1	(635)	2-0 1/2	(622)	1-6 1/4	(464)	1-2 59/64	(379)	1-6 1/2	(470)	1-3 5/64	(383)
CRT	2423	2-0 1/2	(622)	2-0 1/4	(616)	2-1	(635)	2-0 1/2	(622)	2-0 1/4	(616)	1-8 59/64	(532)	2-0 1/2	(622)	1-9 5/64	(535)
CRT	2435	2-0 1/2	(622)	2-0 1/4	(616)	2-1	(635)	2-0 1/2	(622)	3-0 1/4	(921)	2-8 59/64	(836)	3-0 1/2	(927)	2-9 5/64	(840)
CRT	2447	2-0 1/2	(622)	2-0 1/4	(616)	2-1	(635)	2-0 1/2	(622)	4-0 1/4	(1226)	3-8 59/64	(1141)	4-0 1/2	(1232)	3-9 5/64	(1145)
CRT	2459	2-0 1/2	(622)	2-0 1/4	(616)	2-1	(635)	2-0 1/2	(622)	5-0 1/4	(1530)	4-8 59/64	(1446)	5-0 1/2	(1537)	4-9 5/64	(1450)
CRT	2471	2-0 1/2	(622)	2-0 1/4	(616)	2-1	(635)	2-0 1/2	(622)	6-0 1/4	(1835)	5-8 59/64	(1751)	6-0 1/2	(1842)	5-9 5/64	(1754)
CRT	2811	2-4 1/2	(724)	2-0 1/4	(616)	2-5	(737)	2-0 1/2	(622)	1-0 1/4	(311)	0-7 5/8	(194)	1-0 1/2	(318)	0-7 3/4	(197)
CRT	2819	2-4 1/2	(724)	2-0 1/4	(616)	2-5	(737)	2-0 1/2	(622)	1-6 1/4	(464)	1-1 5/8	(346)	1-6 1/2	(470)	1-1 3/4	(349)
CRT	2823	2-4 1/2	(724)	2-0 1/4	(616)	2-5	(737)	2-0 1/2	(622)	2-0 1/4	(616)	1-7 5/8	(498)	2-0 1/2	(622)	1-7 3/4	(502)
CRT	2835	2-4 1/2	(724)	2-0 1/4	(616)	2-5	(737)	2-0 1/2	(622)	3-0 1/4	(921)	2-7 5/8	(803)	3-0 1/2	(927)	2-7 3/4	(806)
CRT	2847	2-4 1/2	(724)	2-0 1/4	(616)	2-5	(737)	2-0 1/2	(622)	4-0 1/4	(1226)	3-7 5/8	(1108)	4-0 1/2	(1232)	3-7 3/4	(1111)
CRT	2859	2-4 1/2	(724)	2-0 1/4	(616)	2-5	(737)	2-0 1/2	(622)	5-0 1/4	(1530)	4-7 5/8	(1413)	5-0 1/2	(1537)	4-7 3/4	(1416)
CRT	2871	2-4 1/2	(724)	2-0 1/4	(616)	2-5	(737)	2-0 1/2	(622)	6-0 1/4	(1835)	5-7 5/8	(1718)	6-0 1/2	(1842)	5-7 3/4	(1721)
CRT	3211	2-8 1/2	(826)	2-6 1/4	(768)	2-9	(838)	2-6 1/2	(775)	1-0 1/4	(311)	0-7 33/64	(191)	1-0 1/2	(318)	0-7 21/32	(194)
CRT	3219	2-8 1/2	(826)	2-6 1/4	(768)	2-9	(838)	2-6 1/2	(775)	1-6 1/4	(464)	1-1 33/64	(343)	1-6 1/2	(470)	1-1 21/32	(347)
CRT	3223	2-8 1/2	(826)	2-6 1/4	(768)	2-9	(838)	2-6 1/2	(775)	2-0 1/4	(616)	1-7 33/64	(496)	2-0 1/2	(622)	1-7 21/32	(499)
CRT	3235	2-8 1/2	(826)	2-6 1/4	(768)	2-9	(838)	2-6 1/2	(775)	3-0 1/4	(921)	2-7 33/64	(800)	3-0 1/2	(927)	2-7 21/32	(804)
CRT	3247	2-8 1/2	(826)	2-6 1/4	(768)	2-9	(838)	2-6 1/2	(775)	4-0 1/4	(1226)	3-7 33/64	(1105)	4-0 1/2	(1232)	3-7 21/32	(1109)
CRT	3259	2-8 1/2	(826)	2-6 1/4	(768)	2-9	(838)	2-6 1/2	(775)	5-0 1/4	(1530)	4-7 33/64	(1410)	5-0 1/2	(1537)	4-7 21/32	(1414)
CRT	3271	2-8 1/2	(826)	2-6 1/4	(768)	2-9	(838)	2-6 1/2	(775)	6-0 1/4	(1835)	5-7 33/64	(1715)	6-0 1/2	(1842)	5-7 21/32	(1718)
CRT	3611	3-0 1/2	(927)	2-6 1/4	(768)	3-1	(940)	2-6 1/2	(775)	1-0 1/4	(311)	0-6 1/8	(156)	1-0 1/2	(318)	0-6 1/4	(159)
CRT	3619	3-0 1/2	(927)	2-6 1/4	(768)	3-1	(940)	2-6 1/2	(775)	1-6 1/4	(464)	1-0 1/8	(308)	1-6 1/2	(470)	1-0 1/4	(311)
CRT	3623	3-0 1/2	(927)	2-6 1/4	(768)	3-1	(940)	2-6 1/2	(775)	2-0 1/4	(616)	1-6 1/8	(460)	2-0 1/2	(622)	1-6 1/4	(464)
CRT	3635	3-0 1/2	(927)	2-6 1/4	(768)	3-1	(940)	2-6 1/2	(775)	3-0 1/4	(921)	2-6 1/8	(765)	3-0 1/2	(927)	2-6 1/4	(768)
CRT	3647	3-0 1/2	(927)	2-6 1/4	(768)	3-1	(940)	2-6 1/2	(775)	4-0 1/4	(1226)	3-6 1/8	(1070)	4-0 1/2	(1232)	3-6 1/4	(1073)
CRT	3659	3-0 1/2	(927)	2-6 1/4	(768)	3-1	(940)	2-6 1/2	(775)	5-0 1/4	(1530)	4-6 1/8	(1375)	5-0 1/2	(1537)	4-6 1/4	(1378)
CRT	3671	3-0 1/2	(927)	2-6 1/4	(768)	3-1	(940)	2-6 1/2	(775)	6-0 1/4	(1835)	5-6 1/8	(1680)	6-0 1/2	(1842)	5-6 1/4	(1683)
CRT	4011	3-4 1/2	(1029)	3-4 1/4	(1022)	3-5	(1041)	3-4 1/2	(1029)	1-0 1/4	(311)	0-6 25/32	(172)	1-0 1/2	(318)	0-6 59/64	(176)
CRT	4019	3-4 1/2	(1029)	3-4 1/4	(1022)	3-5	(1041)	3-4 1/2	(1029)	1-6 1/4	(464)	1-0 25/32	(325)	1-6 1/2	(470)	1-0 59/64	(328)
CRT	4023	3-4 1/2	(1029)	3-4 1/4	(1022)	3-5	(1041)	3-4 1/2	(1029)	2-0 1/4	(616)	1-6 25/32	(477)	2-0 1/2	(622)	1-6 59/64	(481)
CRT	4035	3-4 1/2	(1029)	3-4 1/4	(1022)	3-5	(1041)	3-4 1/2	(1029)	3-0 1/4	(921)	2-6 25/32	(782)	3-0 1/2	(927)	2-6 59/64	(786)
CRT	4047	3-4 1/2	(1029)	3-4 1/4	(1022)	3-5	(1041)	3-4 1/2	(1029)	4-0 1/4	(1226)	3-6 25/32	(1087)	4-0 1/2	(1232)	3-6 59/64	(1090)
CRT	4059	3-4 1/2	(1029)	3-4 1/4	(1022)	3-5	(1041)	3-4 1/2	(1029)	5-0 1/4	(1530)	4-6 25/32	(1392)	5-0 1/2	(1537)	4-6 59/64	(1395)
CRT	4071	3-4 1/2	(1029)	3-4 1/4	(1022)	3-5	(1041)	3-4 1/2	(1029)	6-0 1/4	(1835)	5-6 25/32	(1696)	6-0 1/2	(1842)	5-6 59/64	(1700)

Standard Sizes: Clad Ultimate Casement Eyebrow Above Springline

Clad Ultimate Casement/Awning Direct Glaze Round Tops																	
Shape - RT6 - Eyebrow Above Springline																	
CN	Width									Height							
	Masonry Opening		Masonry Opening Radius		Rough Opening		Rough Opening Radius		Masonry Opening		Masonry Opening Springline		Rough Opening		Rough Opening Springline		
	ft-in	mm	ft-in	mm	ft-in	mm	ft-in	mm	ft-in	mm	ft-in	mm	ft-in	mm	ft-in	mm	
CRT	4819	4-0 1/2	(1232)	3-4 1/4	(1022)	4-1	(1245)	4-0 1/2	(1029)	1-6 1/4	(464)	0-10 1/8	(257)	1-6 1/2	(470)	0-10 1/4	(260)
CRT	4823	4-0 1/2	(1232)	3-4 1/4	(1022)	4-1	(1245)	3-4 1/2	(1029)	2-0 1/4	(616)	1-4 1/8	(410)	2-0 1/2	(622)	1-4 1/4	(413)
CRT	4835	4-0 1/2	(1232)	3-4 1/4	(1022)	4-1	(1245)	3-4 1/2	(1029)	3-0 1/4	(921)	2-4 1/8	(714)	3-0 1/2	(927)	2-4 1/4	(718)
CRT	4847	4-0 1/2	(1232)	3-4 1/4	(1022)	4-1	(1245)	3-4 1/2	(1029)	4-0 1/4	(1226)	3-4 1/8	(1019)	4-0 1/2	(1232)	3-4 1/4	(1022)
CRT	4859	4-0 1/2	(1232)	3-4 1/4	(1022)	4-1	(1245)	3-4 1/2	(1029)	5-0 1/4	(1530)	4-4 1/8	(1324)	5-0 1/2	(1537)	4-4 1/4	(1327)
CRT	4871	4-0 1/2	(1232)	3-4 1/4	(1022)	4-1	(1245)	3-4 1/2	(1029)	6-0 1/4	(1835)	5-4 1/8	(1629)	6-0 1/2	(1842)	5-4 1/4	(1632)
CRT	5619	4-8 1/2	(1435)	4-6 1/4	(1378)	4-9	(1448)	4-6 1/2	(1384)	1-6 1/4	(464)	0-10 5/16	(262)	1-6 1/2	(470)	0-10 29/64	(266)
CRT	5623	4-8 1/2	(1435)	4-6 1/4	(1378)	4-9	(1448)	4-6 1/2	(1384)	2-0 1/4	(616)	1-4 5/16	(414)	2-0 1/2	(622)	1-4 29/64	(418)
CRT	5635	4-8 1/2	(1435)	4-6 1/4	(1378)	4-9	(1448)	4-6 1/2	(1384)	3-0 1/4	(921)	2-4 5/16	(719)	3-0 1/2	(927)	2-4 29/64	(723)
CRT	5647	4-8 1/2	(1435)	4-6 1/4	(1378)	4-9	(1448)	4-6 1/2	(1384)	4-0 1/4	(1226)	3-4 5/16	(1024)	4-0 1/2	(1232)	3-4 29/64	(1028)
CRT	5659	4-8 1/2	(1435)	4-6 1/4	(1378)	4-9	(1448)	4-6 1/2	(1384)	5-0 1/4	(1530)	4-4 5/16	(1329)	5-0 1/2	(1537)	4-4 29/64	(1332)
CRT	5671	4-8 1/2	(1435)	4-6 1/4	(1378)	4-9	(1448)	4-6 1/2	(1384)	6-0 1/4	(1835)	5-4 5/16	(1634)	6-0 1/2	(1842)	5-4 29/64	(1637)
CRT	7219	6-0 1/2	(1842)	6-0 1/4	(1835)	6-1	(1854)	6-0 1/2	(1842)	1-6 1/4	(464)	0-8 1/2	(216)	1-6 1/2	(470)	0-8 41/64	(220)
CRT	7223	6-0 1/2	(1842)	6-0 1/4	(1835)	6-1	(1854)	6-0 1/2	(1842)	2-0 1/4	(616)	1-2 1/2	(368)	2-0 1/2	(622)	1-2 41/64	(372)
CRT	7235	6-0 1/2	(1842)	6-0 1/4	(1835)	6-1	(1854)	6-0 1/2	(1842)	3-0 1/4	(921)	2-2 1/2	(673)	3-0 1/2	(927)	2-2 41/64	(677)
CRT	7247	6-0 1/2	(1842)	6-0 1/4	(1835)	6-1	(1854)	6-0 1/2	(1842)	4-0 1/4	(1226)	3-2 1/2	(978)	4-0 1/2	(1232)	3-2 41/64	(982)
CRT	7259	6-0 1/2	(1842)	6-0 1/4	(1835)	6-1	(1854)	6-0 1/2	(1842)	5-0 1/4	(1530)	4-2 1/2	(1283)	5-0 1/2	(1537)	4-2 41/64	(1286)
CRT	7271	6-0 1/2	(1842)	6-0 1/4	(1835)	6-1	(1854)	6-0 1/2	(1842)	6-0 1/4	(1835)	5-2 1/2	(1587)	6-0 1/2	(1842)	5-2 41/64	(1591)

Standard Sizes: Clad Ultimate Double Hung True Half Circle and Elliptical Direct Glaze

Clad Ultimate Double Hung Direct Glaze Round Tops									
Shape - RT1 - True Half Circle									
CN		Width				Height			
		Masonry Opening		Rough Opening		Masonry Opening		Rough Opening	
		ft-in	mm	ft-in	mm	ft-in	mm	ft-in	mm
CRT	2914	2-5 7/8	(759)	2-6 3/8	(772)	1-2 15/16	(379)	1-3 3/16	(386)
CRT	3115	2-7 7/8	(810)	2-8 3/8	(822)	1-3 15/16	(405)	1-4 3/16	(411)
CRT	3316	2-9 7/8	(860)	2-10 3/8	(873)	1-4 15/16	(430)	1-5 3/16	(437)
CRT	3517	2-11 7/8	(911)	3-0 3/8	(924)	1-5 15/16	(456)	1-6 3/16	(462)
CRT	3718	3-1 7/8	(962)	3-2 3/8	(975)	1-6 15/16	(481)	1-7 3/16	(487)
CRT	4120	3-5 7/8	(1064)	3-6 3/8	(1076)	1-8 15/16	(532)	1-9 3/16	(538)
CRT	4522	3-9 7/8	(1165)	3-10 3/8	(1178)	1-10 15/16	(583)	1-11 3/16	(589)
CRT	5025	4-3 1/4	(1302)	4-3 3/4	(1314)	2-1 5/8	(651)	2-1 7/8	(657)
CRT	5828	4-11 1/4	(1505)	4-11 3/4	(1518)	2-5 5/8	(752)	2-5 7/8	(759)
CRT	6632	5-7 1/4	(1708)	5-7 3/4	(1721)	2-9 5/8	(854)	2-9 7/8	(860)
CRT	7437	6-3 1/4	(1911)	6-3 3/4	(1924)	3-1 5/8	(956)	3-1 7/8	(962)
Shape - RT29 - Elliptical									
CRT	5118	4-3 1/4	(1302)	4-3 3/4	(1314)	1-5 11/16	(449)	1-5 15/16	(456)
CRT	5918	4-11 1/4	(1505)	4-11 3/4	(1518)	1-5 11/16	(449)	1-5 15/16	(456)
CRT	6718	5-7 1/4	(1708)	5-7 3/4	(1721)	1-5 11/16	(449)	1-5 15/16	(456)
CRT	7518	6-3 1/4	(1911)	6-3 3/4	(1924)	1-5 11/16	(449)	1-5 15/16	(456)

Clad Direct Glaze Polygon and Round Top

Standard Sizes: Clad Ultimate Double Hung - Eyebrow Above Springline

Clad Ultimate Double Hung Direct Glaze Round Tops																	
Shape - RT6 - Eyebrow Above Springline																	
CN		Width								Height							
		Masonry Opening		Masonry Opening Radius		Rough Opening		Rough Opening Radius		Masonry Opening		Masonry Opening Springline		Rough Opening		Rough Opening Springline	
		ft-in	mm	ft-in	mm	ft-in	mm	ft-in	mm	ft-in	mm	ft-in	mm	ft-in	mm	ft-in	mm
CRT	2511	2-1 7/8	(657)	2-0 1/4	(616)	2-2 3/8	(670)	2-0 1/2	(622)	1-0 1/4	(311)	0-8 33/64	(216)	1-0 1/2	(318)	0-8 41/64	(220)
CRT	2519	2-1 7/8	(657)	2-0 1/4	(616)	2-2 3/8	(670)	2-0 1/2	(622)	1-6 1/4	(464)	1-2 33/64	(369)	1-6 1/2	(470)	1-2 41/64	(372)
CRT	2523	2-1 7/8	(657)	2-0 1/4	(616)	2-2 3/8	(670)	2-0 1/2	(622)	2-0 1/4	(616)	1-8 33/64	(521)	2-0 1/2	(622)	1-8 41/64	(524)
CRT	2535	2-1 7/8	(657)	2-0 1/4	(616)	2-2 3/8	(670)	2-0 1/2	(622)	3-0 1/4	(921)	2-8 33/64	(826)	3-0 1/2	(927)	2-8 41/64	(829)
CRT	2547	2-1 7/8	(657)	2-0 1/4	(616)	2-2 3/8	(670)	2-0 1/2	(622)	4-0 1/4	(1226)	3-8 33/64	(1131)	4-0 1/2	(1232)	3-8 41/64	(1134)
CRT	2559	2-1 7/8	(657)	2-0 1/4	(616)	2-2 3/8	(670)	2-0 1/2	(622)	5-0 1/4	(1530)	4-8 33/64	(1435)	5-0 1/2	(1537)	4-8 41/64	(1439)
CRT	2571	2-1 7/8	(657)	2-0 1/4	(616)	2-2 3/8	(670)	2-0 1/2	(622)	6-0 1/4	(1835)	5-8 33/64	(1740)	6-0 1/2	(1842)	5-8 41/64	(1744)
CRT	2911	2-5 7/8	(759)	2-0 1/4	(616)	2-6 3/8	(772)	2-0 1/2	(622)	1-0 1/4	(311)	0-7 7/64	(180)	1-0 1/2	(318)	0-7 7/32	(184)
CRT	2919	2-5 7/8	(759)	2-0 1/4	(616)	2-6 3/8	(772)	2-0 1/2	(622)	1-6 1/4	(464)	1-1 7/64	(333)	1-6 1/2	(470)	1-1 7/32	(336)
CRT	2923	2-5 7/8	(759)	2-0 1/4	(616)	2-6 3/8	(772)	2-0 1/2	(622)	2-0 1/4	(616)	1-7 7/64	(485)	2-0 1/2	(622)	1-7 7/32	(488)
CRT	2935	2-5 7/8	(759)	2-0 1/4	(616)	2-6 3/8	(772)	2-0 1/2	(622)	3-0 1/4	(921)	2-7 7/64	(790)	3-0 1/2	(927)	2-7 7/32	(793)
CRT	2947	2-5 7/8	(759)	2-0 1/4	(616)	2-6 3/8	(772)	2-0 1/2	(622)	4-0 1/4	(1226)	3-7 7/64	(1095)	4-0 1/2	(1232)	3-7 7/32	(1098)
CRT	2959	2-5 7/8	(759)	2-0 1/4	(616)	2-6 3/8	(772)	2-0 1/2	(622)	5-0 1/4	(1530)	4-7 7/64	(1400)	5-0 1/2	(1537)	4-7 7/32	(1403)
CRT	2971	2-5 7/8	(759)	2-0 1/4	(616)	2-6 3/8	(772)	2-0 1/2	(622)	6-0 1/4	(1835)	5-7 7/64	(1704)	6-0 1/2	(1842)	5-7 7/32	(1708)
CRT	3111	2-7 7/8	(810)	2-6 1/4	(768)	2-8 3/8	(822)	2-6 1/2	(775)	1-0 1/4	(311)	0-7 23/32	(196)	1-0 1/2	(318)	0-7 27/32	(199)
CRT	3119	2-7 7/8	(810)	2-6 1/4	(768)	2-8 3/8	(822)	2-6 1/2	(775)	1-6 1/4	(464)	1-1 23/32	(348)	1-6 1/2	(470)	1-1 27/32	(352)
CRT	3123	2-7 7/8	(810)	2-6 1/4	(768)	2-8 3/8	(822)	2-6 1/2	(775)	2-0 1/4	(616)	1-7 23/32	(501)	2-0 1/2	(622)	1-7 27/32	(504)
CRT	3135	2-7 7/8	(810)	2-6 1/4	(768)	2-8 3/8	(822)	2-6 1/2	(775)	3-0 1/4	(921)	2-7 23/32	(805)	3-0 1/2	(927)	2-7 27/32	(809)
CRT	3147	2-7 7/8	(810)	2-6 1/4	(768)	2-8 3/8	(822)	2-6 1/2	(775)	4-0 1/4	(1226)	3-7 23/32	(1110)	4-0 1/2	(1232)	3-7 27/32	(1114)
CRT	3159	2-7 7/8	(810)	2-6 1/4	(768)	2-8 3/8	(822)	2-6 1/2	(775)	5-0 1/4	(1530)	4-7 23/32	(1415)	5-0 1/2	(1537)	4-7 27/32	(1419)
CRT	3171	2-7 7/8	(810)	2-6 1/4	(768)	2-8 3/8	(822)	2-6 1/2	(775)	6-0 1/4	(1835)	5-7 23/32	(1720)	6-0 1/2	(1842)	5-7 27/32	(1723)
CRT	3311	2-9 7/8	(860)	2-6 1/4	(768)	2-10 3/8	(873)	2-6 1/2	(775)	1-0 1/4	(311)	0-7 1/16	(179)	1-0 1/2	(318)	0-7 13/64	(183)
CRT	3319	2-9 7/8	(860)	2-6 1/4	(768)	2-10 3/8	(873)	2-6 1/2	(775)	1-6 1/4	(464)	1-1 1/16	(332)	1-6 1/2	(470)	1-1 13/64	(335)
CRT	3323	2-9 7/8	(860)	2-6 1/4	(768)	2-10 3/8	(873)	2-6 1/2	(775)	2-0 1/4	(616)	1-7 1/16	(484)	2-0 1/2	(622)	1-7 13/64	(488)
CRT	3335	2-9 7/8	(860)	2-6 1/4	(768)	2-10 3/8	(873)	2-6 1/2	(775)	3-0 1/4	(921)	2-7 1/16	(789)	3-0 1/2	(927)	2-7 13/64	(792)
CRT	3347	2-9 7/8	(860)	2-6 1/4	(768)	2-10 3/8	(873)	2-6 1/2	(775)	4-0 1/4	(1226)	3-7 1/16	(1094)	4-0 1/2	(1232)	3-7 13/64	(1097)
CRT	3359	2-9 7/8	(860)	2-6 1/4	(768)	2-10 3/8	(873)	2-6 1/2	(775)	5-0 1/4	(1530)	4-7 1/16	(1399)	5-0 1/2	(1537)	4-7 13/64	(1402)
CRT	3371	2-9 7/8	(860)	2-6 1/4	(768)	2-10 3/8	(873)	2-6 1/2	(775)	6-0 1/4	(1835)	5-7 1/16	(1703)	6-0 1/2	(1842)	5-7 13/64	(1707)
CRT	3511	2-11 7/8	(911)	2-6 1/4	(768)	3-0 3/8	(924)	2-6 1/2	(775)	1-0 1/4	(311)	0-6 23/64	(161)	1-0 1/2	(318)	0-6 31/64	(165)
CRT	3519	2-11 7/8	(911)	2-6 1/4	(768)	3-0 3/8	(924)	2-6 1/2	(775)	1-6 1/4	(464)	1-0 23/64	(314)	1-6 1/2	(470)	1-0 31/64	(317)
CRT	3523	2-11 7/8	(911)	2-6 1/4	(768)	3-0 3/8	(924)	2-6 1/2	(775)	2-0 1/4	(616)	1-6 23/64	(466)	2-0 1/2	(622)	1-6 31/64	(469)
CRT	3535	2-11 7/8	(911)	2-6 1/4	(768)	3-0 3/8	(924)	2-6 1/2	(775)	3-0 1/4	(921)	2-6 23/64	(771)	3-0 1/2	(927)	2-6 31/64	(774)
CRT	3547	2-11 7/8	(911)	2-6 1/4	(768)	3-0 3/8	(924)	2-6 1/2	(775)	4-0 1/4	(1226)	3-6 23/64	(1076)	4-0 1/2	(1232)	3-6 31/64	(1079)
CRT	3559	2-11 7/8	(911)	2-6 1/4	(768)	3-0 3/8	(924)	2-6 1/2	(775)	5-0 1/4	(1530)	4-6 23/64	(1381)	5-0 1/2	(1537)	4-6 31/64	(1384)
CRT	3571	2-11 7/8	(911)	2-6 1/4	(768)	3-0 3/8	(924)	2-6 1/2	(775)	6-0 1/4	(1835)	5-6 23/64	(1685)	6-0 1/2	(1842)	5-6 31/64	(1689)
CRT	3711	3-1 7/8	(962)	3-4 1/4	(1022)	3-2 3/8	(975)	3-4 1/2	(1029)	1-0 1/4	(311)	0-7 33/64	(191)	1-0 1/2	(318)	0-7 43/64	(195)
CRT	3719	3-1 7/8	(962)	3-4 1/4	(1022)	3-2 3/8	(975)	3-4 1/2	(1029)	1-6 1/4	(464)	1-1 33/64	(343)	1-6 1/2	(470)	1-1 43/64	(347)
CRT	3723	3-1 7/8	(962)	3-4 1/4	(1022)	3-2 3/8	(975)	3-4 1/2	(1029)	2-0 1/4	(616)	1-7 33/64	(496)	2-0 1/2	(622)	1-7 43/64	(500)
CRT	3735	3-1 7/8	(962)	3-4 1/4	(1022)	3-2 3/8	(975)	3-4 1/2	(1029)	3-0 1/4	(921)	2-7 33/64	(801)	3-0 1/2	(927)	2-7 43/64	(804)

Clad Direct Glaze Polygon and Round Top

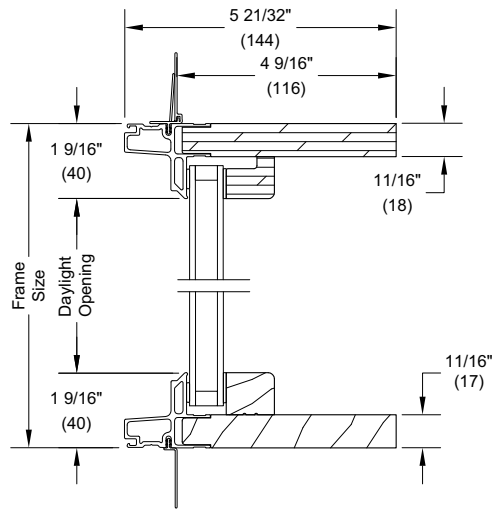
Standard Sizes: Clad Ultimate Double Hung - Eyebrow Above Springline

Clad Ultimate Double Hung Direct Glaze Round Tops																	
Shape - RT6 - Eyebrow Above Springline																	
CN	Width								Height								
	Masonry Opening		Masonry Opening Radius		Rough Opening		Rough Opening Radius		Masonry Opening		Masonry Opening Springline		Rough Opening		Rough Opening Springline		
	ft-in	mm	ft-in	mm	ft-in	mm	ft-in	mm	ft-in	mm	ft-in	mm	ft-in	mm	ft-in	mm	
CRT	3747	3-1 7/8	(962)	3-4 1/4	(1022)	3-2 3/8	(975)	3-4 1/2	(1029)	4-0 1/4	(1226)	3-7 33/64	(1105)	4-0 1/2	(1232)	3-7 43/64	(1109)
CRT	3759	3-1 7/8	(962)	3-4 1/4	(1022)	3-2 3/8	(975)	3-4 1/2	(1029)	5-0 1/4	(1530)	4-7 33/64	(1410)	5-0 1/2	(1537)	4-7 43/64	(1414)
CRT	3771	3-1 7/8	(962)	3-4 1/4	(1022)	3-2 3/8	(975)	3-4 1/2	(1029)	6-0 1/4	(1835)	5-7 33/64	(1715)	6-0 1/2	(1842)	5-7 43/64	(1719)
CRT	4111	3-5 7/8	(1064)	3-4 1/4	(1022)	3-6 3/8	(1076)	3-4 1/2	(1029)	1-0 1/4	(311)	0-6 3/8	(162)	1-0 1/2	(318)	0-6 33/64	(166)
CRT	4119	3-5 7/8	(1064)	3-4 1/4	(1022)	3-6 3/8	(1076)	3-4 1/2	(1029)	1-6 1/4	(464)	1-0 3/8	(314)	1-6 1/2	(470)	1-0 33/64	(318)
CRT	4123	3-5 7/8	(1064)	3-4 1/4	(1022)	3-6 3/8	(1076)	3-4 1/2	(1029)	2-0 1/4	(616)	1-6 3/8	(467)	2-0 1/2	(622)	1-6 33/64	(470)
CRT	4135	3-5 7/8	(1064)	3-4 1/4	(1022)	3-6 3/8	(1076)	3-4 1/2	(1029)	3-0 1/4	(921)	2-6 3/8	(772)	3-0 1/2	(927)	2-6 33/64	(775)
CRT	4147	3-5 7/8	(1064)	3-4 1/4	(1022)	3-6 3/8	(1076)	3-4 1/2	(1029)	4-0 1/4	(1226)	3-6 3/8	(1076)	4-0 1/2	(1232)	3-6 33/64	(1080)
CRT	4159	3-5 7/8	(1064)	3-4 1/4	(1022)	3-6 3/8	(1076)	3-4 1/2	(1029)	5-0 1/4	(1530)	4-6 3/8	(1381)	5-0 1/2	(1537)	4-6 33/64	(1385)
CRT	4171	3-5 7/8	(1064)	3-4 1/4	(1022)	3-6 3/8	(1076)	3-4 1/2	(1029)	6-0 1/4	(1835)	5-6 3/8	(1686)	6-0 1/2	(1842)	5-6 33/64	(1690)
CRT	4519	3-9 7/8	(1165)	3-4 1/4	(1022)	3-10 3/8	(1178)	3-4 1/2	(1029)	1-6 1/4	(464)	0-11 5/64	(281)	1-6 1/2	(470)	0-11 13/64	(285)
CRT	4523	3-9 7/8	(1165)	3-4 1/4	(1022)	3-10 3/8	(1178)	3-4 1/2	(1029)	2-0 1/4	(616)	1-5 5/64	(434)	2-0 1/2	(622)	1-5 13/64	(437)
CRT	4535	3-9 7/8	(1165)	3-4 1/4	(1022)	3-10 3/8	(1178)	3-4 1/2	(1029)	3-0 1/4	(921)	2-5 5/64	(738)	3-0 1/2	(927)	2-5 13/64	(742)
CRT	4547	3-9 7/8	(1165)	3-4 1/4	(1022)	3-10 3/8	(1178)	3-4 1/2	(1029)	4-0 1/4	(1226)	3-5 5/64	(1043)	4-0 1/2	(1232)	3-5 13/64	(1047)
CRT	4559	3-9 7/8	(1165)	3-4 1/4	(1022)	3-10 3/8	(1178)	3-4 1/2	(1029)	5-0 1/4	(1530)	4-5 5/64	(1348)	5-0 1/2	(1537)	4-5 13/64	(1351)
CRT	4571	3-9 7/8	(1165)	3-4 1/4	(1022)	3-10 3/8	(1178)	3-4 1/2	(1029)	6-0 1/4	(1835)	5-5 5/64	(1653)	6-0 1/2	(1842)	5-5 13/64	(1656)
CRT	5119	4-3 1/4	(1302)	3-4 1/4	(1022)	4-3 3/4	(1314)	3-4 1/2	(1029)	1-6 1/4	(464)	0-9 1/32	(230)	1-6 1/2	(470)	0-9 5/32	(233)
CRT	5123	4-3 1/4	(1302)	3-4 1/4	(1022)	4-3 3/4	(1314)	3-4 1/2	(1029)	2-0 1/4	(616)	1-3 1/32	(382)	2-0 1/2	(622)	1-3 5/32	(385)
CRT	5135	4-3 1/4	(1302)	3-4 1/4	(1022)	4-3 3/4	(1314)	3-4 1/2	(1029)	3-0 1/4	(921)	2-3 1/32	(687)	3-0 1/2	(927)	2-3 5/32	(690)
CRT	5147	4-3 1/4	(1302)	3-4 1/4	(1022)	4-3 3/4	(1314)	3-4 1/2	(1029)	4-0 1/4	(1226)	3-3 1/32	(992)	4-0 1/2	(1232)	3-3 5/32	(995)
CRT	5159	4-3 1/4	(1302)	3-4 1/4	(1022)	4-3 3/4	(1314)	3-4 1/2	(1029)	5-0 1/4	(1530)	4-3 1/32	(1296)	5-0 1/2	(1537)	4-3 5/32	(1299)
CRT	5171	4-3 1/4	(1302)	3-4 1/4	(1022)	4-3 3/4	(1314)	3-4 1/2	(1029)	6-0 1/4	(1835)	5-3 1/32	(1601)	6-0 1/2	(1842)	5-3 5/32	(1604)
CRT	5919	4-11 1/4	(1505)	4-6 1/4	(1378)	4-11 3/4	(1518)	4-6 1/2	(1384)	1-6 1/4	(464)	0-9 29/64	(240)	1-6 1/2	(470)	0-9 37/64	(243)
CRT	5923	4-11 1/4	(1505)	4-6 1/4	(1378)	4-11 3/4	(1518)	4-6 1/2	(1384)	2-0 1/4	(616)	1-3 29/64	(392)	2-0 1/2	(622)	1-3 37/64	(396)
CRT	5935	4-11 1/4	(1505)	4-6 1/4	(1378)	4-11 3/4	(1518)	4-6 1/2	(1384)	3-0 1/4	(921)	2-3 29/64	(697)	3-0 1/2	(927)	2-3 37/64	(701)
CRT	5947	4-11 1/4	(1505)	4-6 1/4	(1378)	4-11 3/4	(1518)	4-6 1/2	(1384)	4-0 1/4	(1226)	3-3 29/64	(1002)	4-0 1/2	(1232)	3-3 37/64	(1005)
CRT	5959	4-11 1/4	(1505)	4-6 1/4	(1378)	4-11 3/4	(1518)	4-6 1/2	(1384)	5-0 1/4	(1530)	4-3 29/64	(1307)	5-0 1/2	(1537)	4-3 37/64	(1310)
CRT	5971	4-11 1/4	(1505)	4-6 1/4	(1378)	4-11 3/4	(1518)	4-6 1/2	(1384)	6-0 1/4	(1835)	5-3 29/64	(1612)	6-0 1/2	(1842)	5-3 37/64	(1615)
CRT	6719	5-7 1/4	(1708)	6-0 1/4	(1835)	5-7 3/4	(1721)	6-0 1/2	(1842)	1-6 1/4	(464)	0-9 61/64	(253)	1-6 1/2	(470)	0-10 3/32	(257)
CRT	6723	5-7 1/4	(1708)	6-0 1/4	(1835)	5-7 3/4	(1721)	6-0 1/2	(1842)	2-0 1/4	(616)	1-3 61/64	(405)	2-0 1/2	(622)	1-4 3/32	(409)
CRT	6735	5-7 1/4	(1708)	6-0 1/4	(1835)	5-7 3/4	(1721)	6-0 1/2	(1842)	3-0 1/4	(921)	2-3 61/64	(710)	3-0 1/2	(927)	2-4 3/32	(714)
CRT	6747	5-7 1/4	(1708)	6-0 1/4	(1835)	5-7 3/4	(1721)	6-0 1/2	(1842)	4-0 1/4	(1226)	3-3 61/64	(1015)	4-0 1/2	(1232)	3-4 3/32	(1019)
CRT	6759	5-7 1/4	(1708)	6-0 1/4	(1835)	5-7 3/4	(1721)	6-0 1/2	(1842)	5-0 1/4	(1530)	4-3 61/64	(1319)	5-0 1/2	(1537)	4-4 3/32	(1323)
CRT	6771	5-7 1/4	(1708)	6-0 1/4	(1835)	5-7 3/4	(1721)	6-0 1/2	(1842)	6-0 1/4	(1835)	5-3 61/64	(1624)	6-0 1/2	(1842)	5-4 3/32	(1628)
CRT	7519	6-3 1/4	(1911)	6-0 1/4	(1835)	6-3 3/4	(1924)	6-0 1/2	(1842)	1-6 1/4	(464)	0-7 11/16	(195)	1-6 1/2	(470)	0-7 13/16	(199)
CRT	7523	6-3 1/4	(1911)	6-0 1/4	(1835)	6-3 3/4	(1924)	6-0 1/2	(1842)	2-0 1/4	(616)	1-1 11/16	(347)	2-0 1/2	(622)	1-1 13/16	(351)
CRT	7535	6-3 1/4	(1911)	6-0 1/4	(1835)	6-3 3/4	(1924)	6-0 1/2	(1842)	3-0 1/4	(921)	2-1 11/16	(652)	3-0 1/2	(927)	2-1 13/16	(656)
CRT	7547	6-3 1/4	(1911)	6-0 1/4	(1835)	6-3 3/4	(1924)	6-0 1/2	(1842)	4-0 1/4	(1226)	3-1 11/16	(957)	4-0 1/2	(1232)	3-1 13/16	(961)
CRT	7559	6-3 1/4	(1911)	6-0 1/4	(1835)	6-3 3/4	(1924)	6-0 1/2	(1842)	5-0 1/4	(1530)	4-1 11/16	(1262)	5-0 1/2	(1537)	4-1 13/16	(1265)
CRT	7571	6-3 1/4	(1911)	6-0 1/4	(1835)	6-3 3/4	(1924)	6-0 1/2	(1842)	6-0 1/4	(1835)	5-1 11/16	(1567)	6-0 1/2	(1842)	5-1 13/16	(1570)

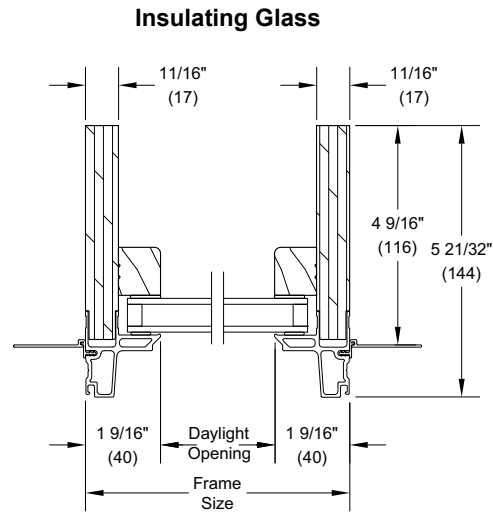
Clad Direct Glaze Polygon and Round Top

Section Details: Clad Direct Glaze Round Top/Polygon/Rectangle-DG-4/4 RT Frame

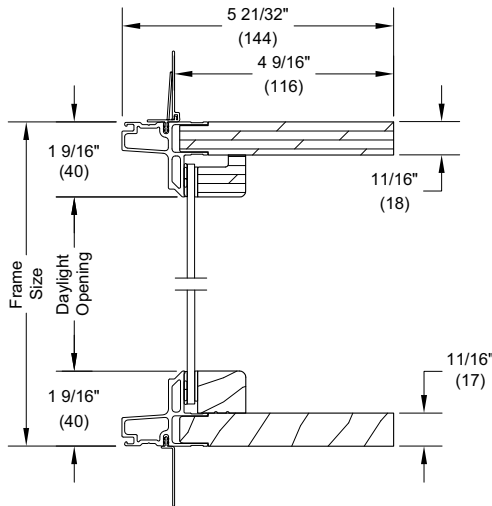
Scale: 3' = 1' 0"



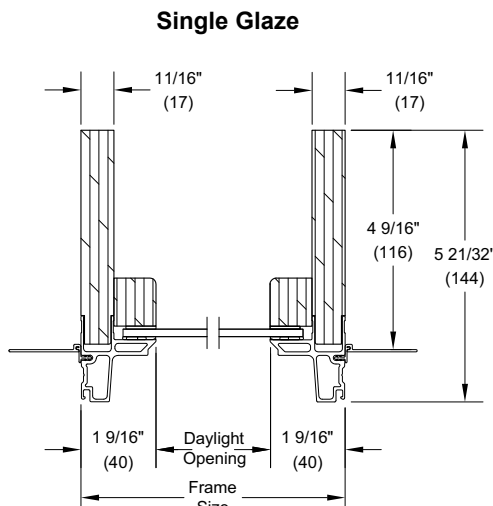
Head Jamb and Sill



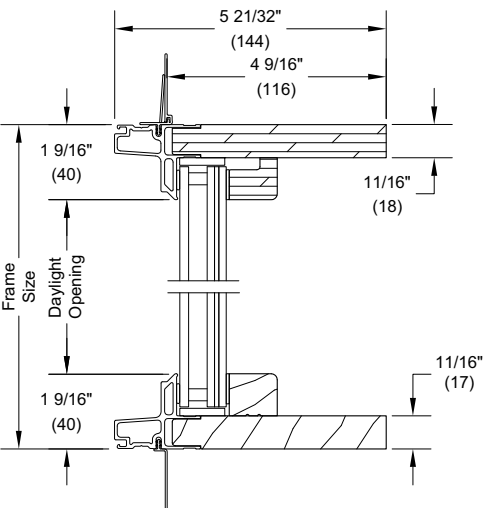
Jamb



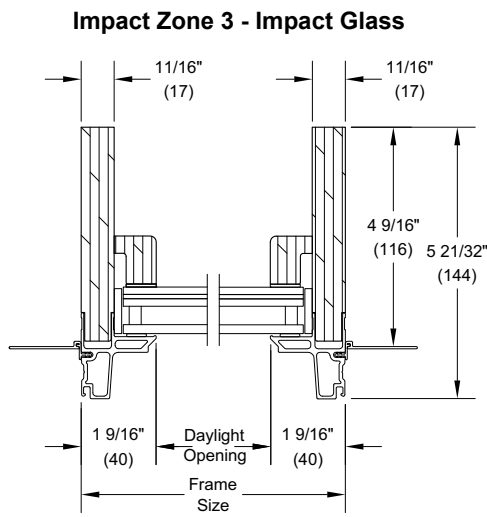
Head Jamb and Sill



Jamb



Head Jamb and Sill



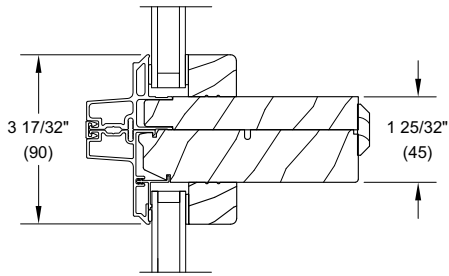
Jamb

NOTE: Single glaze and impact glazing is not available with CE mark

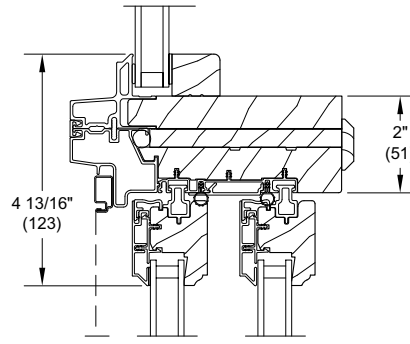
Clad Direct Glaze Polygon and Round Top

Section Details: Clad Direct Glaze Round Top Mullion Options

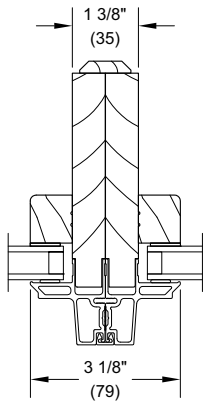
Scale: 3' = 1' 0"



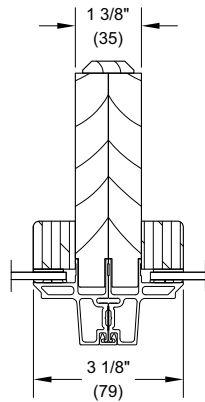
Clad Direct Glaze Round Top
Over Clad Polygon



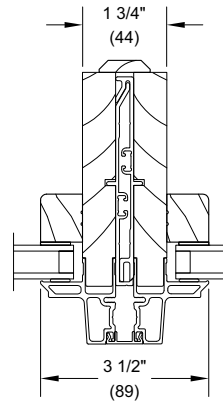
Clad Direct Glaze Round Top
Over Clad Ultimate Glider



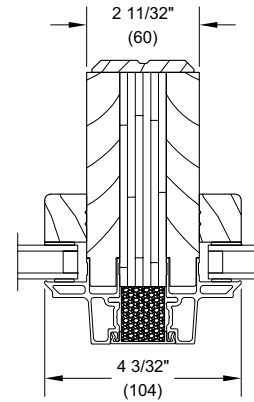
Vertical Mullion
(below Springline)



Vertical Mullion
(below Springline)



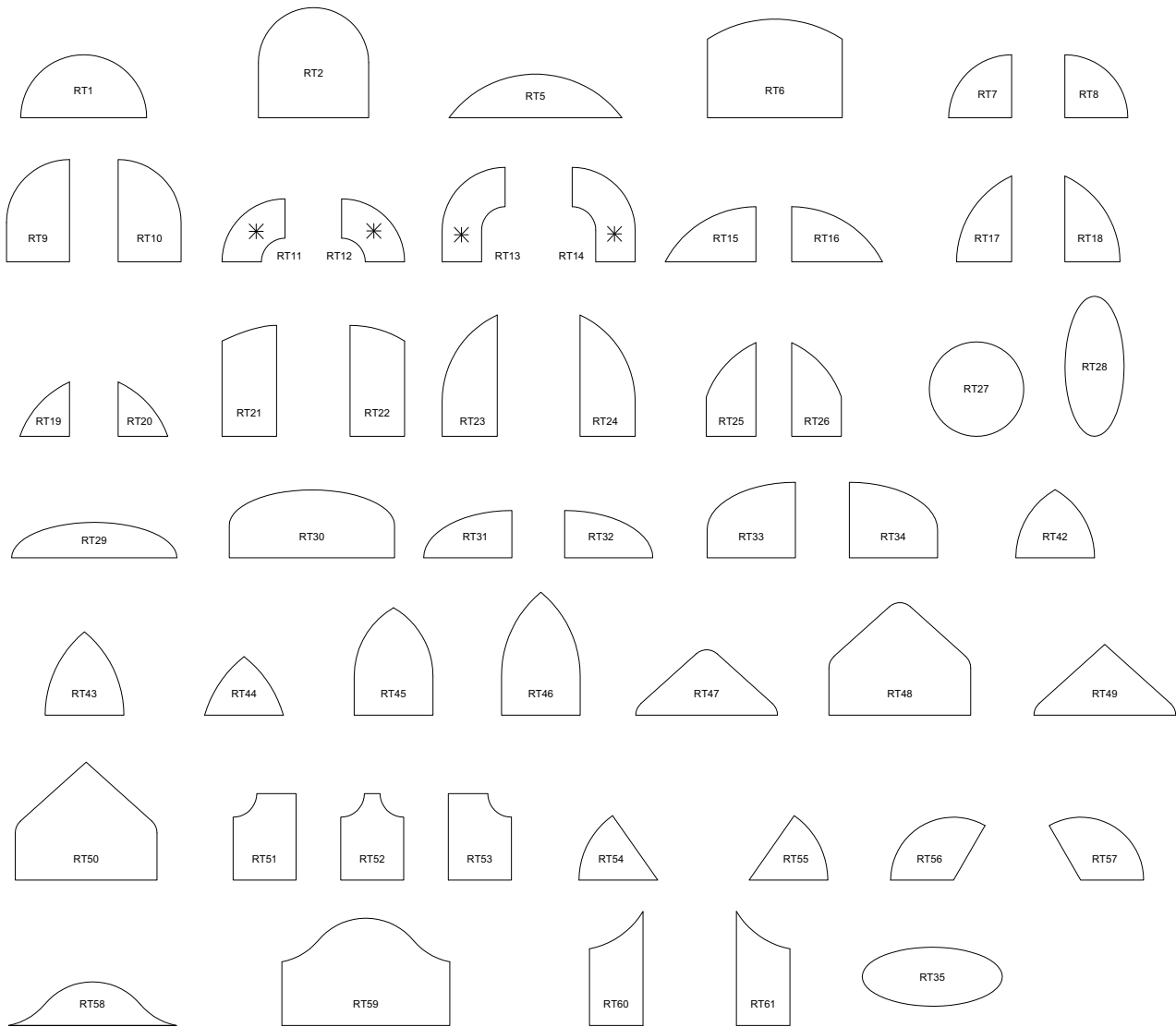
3/8" Mull Reinforcement
(below Springline)



1" LVL Mullion
(below Springline)

Clad Direct Glaze Polygon and Round Top

Clad Direct Glaze Round Top Shape Reference



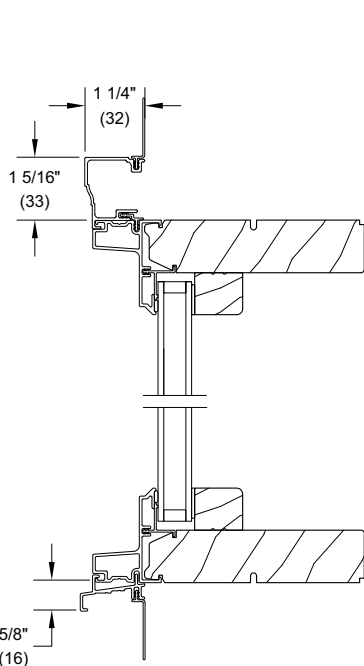
NOTE: For RT11, RT12, RT13 or RT14, please contact your Marvin representative for limitations.

Clad Direct Glaze Polygon and Round Top

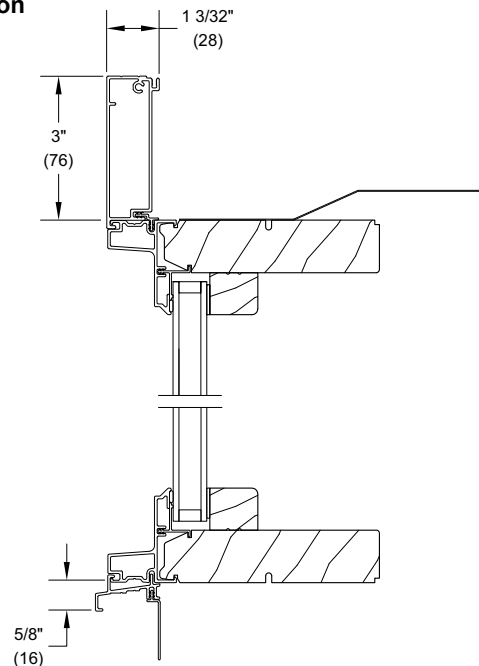
Section Details: Casing Options - Direct Set Polygon and Direct Set Round Top

Scale: 3' = 1' 0"

Clad Direct Glaze Polygon

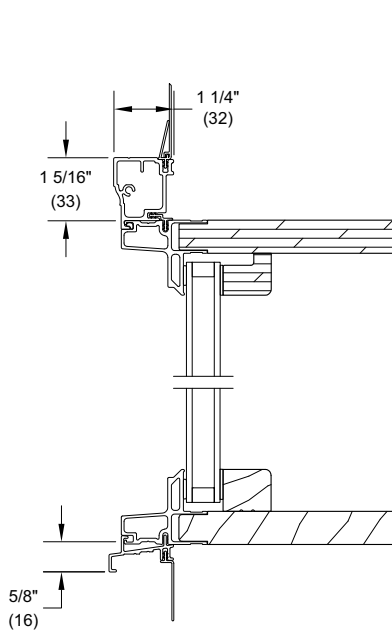


Head Jamb and Sill
with Clad Brick Mould Casing

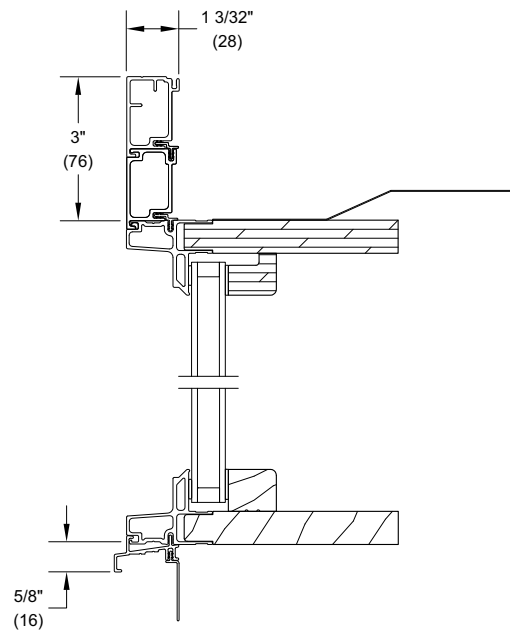


Head Jamb and Sill
with Clad Flat Casing

Clad Direct Glaze Round Top



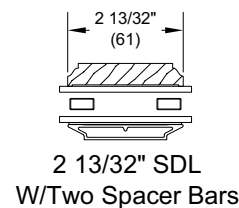
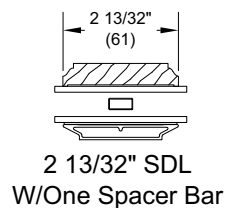
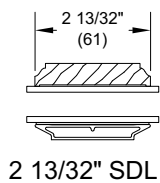
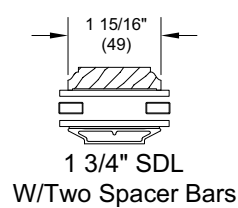
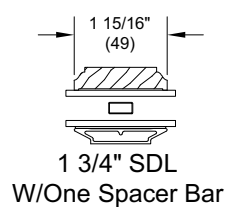
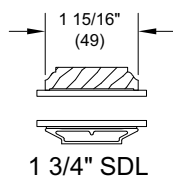
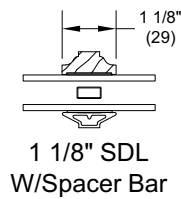
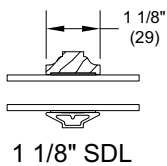
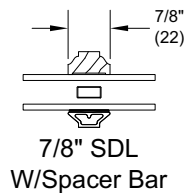
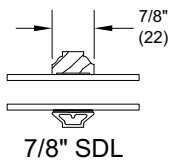
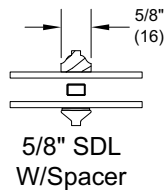
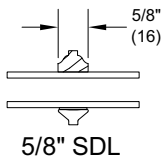
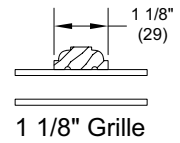
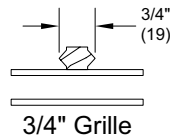
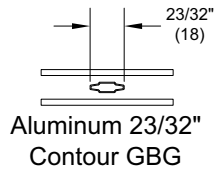
Head Jamb and Sill
with Clad Brick Mould Casing



Head Jamb and Sill
with Clad Flat Casing

Clad Direct Glaze Polygon and Round Top

Direct Glaze Polygon and Direct Set Round Top - Insulated Glass Divided Lite Options



Clad Direct Glaze Polygon and Round Top

Direct Glaze Polygon and Direct Set Round Top - Insulated Glass Square SDL Option

