

Clad Commercial Door

Unit Features.....	1
Standard Divided Lite Option	3
Optional Interior Square Simulated Divided Lite	4
Standard Unit Measurements: 1 3/4" and 2 1/4" Doors	5
Standard Unit Measurements: Direct Glaze and In-Sash Transoms	6
Minimum and Maximum Guidelines - Doors and In-Sash Transoms	7
Minimum and Maximum Guidelines - Direct Glaze Rectangle / Transoms	8
Net Clear Openings.....	9
Measurements Conversions.....	10
1 3/4" Commercial Section Details: Operating	12
1 3/4" Commercial Section Details: Stationary and Sidelite	13
1 3/4" Commercial Section Details: Panel Configurations	14
1 3/4" Commercial Section Details: Flat Panel Placement.....	15
1 3/4" Commercial Section Details: Raised Panel Placement	16
2 1/4" Commercial Section Details: Operating	17
2 1/4" Commercial Section Details: Stationary and Sidelite	18
2 1/4" Commercial Section Details: Panel Configurations	19
2 1/4" Commercial Section Details: Flat Panel Placement.....	20
2 1/4" Commercial Section Details: Raised Panel Placement	21
1 3/4" and 2 1/4" Commercial Section Details: In-Sash Transom	22
1 3/4" and 2 1/4" Commercial Section Details: Direct Glaze Transom.....	23

Clad Commercial Door

Unit Features

Clad 1 3/4" Commercial Door: CCD

Clad 2 1/4" Commercial Door: CMCD

Frame:

- Frame thickness: 1 1/16" (27).
- Frame width: 4 9/16" (116).
- Sill: Standard factory installed thermal barrier saddle low profile .500" (13) by 7.125" (181) sill. Optional; thermal barrier saddle low profile .250" (6) by 7.125" (181) sill. Offset saddle low profile .500" (13) by 7.00" (178) sill with .250" (6) offset. Standard finish: Mill Finish Aluminum.
 - Optional Finish: Dark Bronze Anodized Aluminum, Gold Anodized Aluminum.
 - Optional: No sill.

Panel:

- Panel thickness: CCD 1 3/4" (44) and CMCD 2 1/4" (57).
- Top rail height:
 - CCD panel: 6" (152).
 - CMCD panel: 8 1/8" (206).
 - Panel core material is solid Pine or follows the species of the door.
- Stile width, locking and hinge stiles are 6" (153) wide with LVL core.
- Bottom rail height: 11 3/8" (289) is solid pine or follows the species of the door.
- Optional 6" (152) intermediate rail is solid pine or follows the species of the door, is centered 26" (660) or 40 5/16" (1024) from bottom of door sill.

Glass and Glazing:

- Select quality complying with ASM C 1036. Comply with 16 CFR 1201 Safety Standard for Architectural Glazing Materials. Tempered insulating glass IGMA. IGCC certified to performance level CBA when tested in accordance with ASTM E 774.
- Glazing Seal: Tempered insulating glass hermetically sealed placed into an exterior bed of silicone.
- CCD has 3/4" IG with removable interior vinyl glazing stops with clear wood covers, no visible fasteners.
- CMCD has 1" IG with nailed on glazing stops.
- Glazing Method: Tempered Insulating Glass (Altitude Adjusted)
- Glass Type: Clear; Bronze; Gray; Reflective Bronze; Low E2 Argon or without Argon; Low E3 Argon or without Argon; Obscure; Laminated; Decorative glass options.

CE Optional Glazing:

- Glazing Seal: Silicone beading exterior
- Standard Glazing: Low E2 Argon or air
- Optional Glazing: Clear insulating glass, Low E3 Argon or air, Low E1 Argon or Air, Low E2/ERS Argon or air, Low E3/ERS Argon or air, Laminated, Laminated Bronze tint, Laminated Gray tint, Laminated Green tint, Laminated White tint, Sandblaster
- Glass panes available in 3,4, and 6mm thicknesses
- Insulating glass will be altitude adjusted with capillary tubes for higher elevations, Argon gas not included

Unit Features

Hardware:

- Hinges: 4 1/2" (114) x 4 1/2" (114) square corner ball bearing hinges. Standard finish color and substrate: Satin Chrome (US26D) over brass substrate.
 - Optional: Bronze finish over Brass substrate (US10A), Solid Brass (US3), Stainless Steel (US32D).
- CCD panel: Three hinges per panel up to 85 9/16" (2173) high, four hinges per panel on doors with 85 9/16" or larger (2173) rough opening.
- CMCD panel: Three hinges per panel up to 85 9/16" (2173) high. Four hinges per panel over 85 9/16" (2173), 5 hinges per panel on units over 95" (2413) high. If panel width is greater than 35 13/16" (910), door has 4 hinges.
- No lock no bore is standard.
 - Optional Commercial Hardware Package:
 - Closer, rim device, mortise lock, removable mullion and kick plate.
 - Optional hardware Routs and Preps.
 - Von Duprin Push pad Rim Devices and Trim Sets.
 - Von Duprin Cross Bar Device and Trim Sets.
 - Schlage L Mortise Lock and Trim Sets.
 - Schlage ND Cylindrical locks.
 - Alarm Lock.

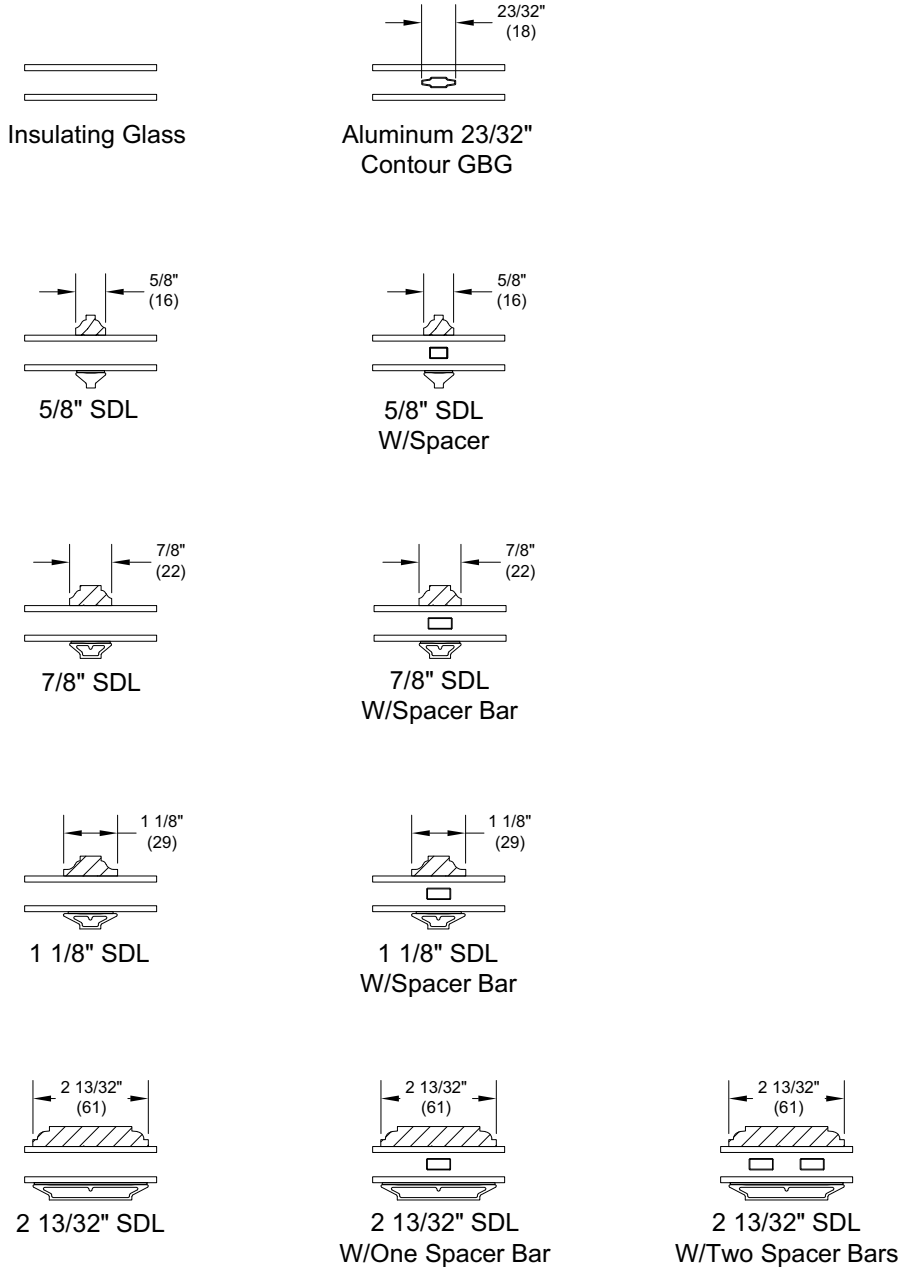
Raised/Flat Panel Option:

- 6" (152) Intermediate rail is constructed of finger-joint, edge-glued pine, or laminated veneer lumber (LVL) core.
 - Raised or Flat Extira® panel constructed of medium density fiberboard (MDF) core with wood laminate veneer to interior.
 - Exterior Standard Stamped Raised Panel uses .080" (2) aluminum with foam backing.
- Two placement options are available:
 - Low Placement, 26" (660) on center (OC) of 6" (152) intermediate rail from bottom of door sill for a 10 13/16" (275) visible panel height.
 - High Placement, 40 5/16" (1024) OC of 6" (152) intermediate rail from bottom of door sill for a 25 1/8" (638) visible panel height.

Weather Strip:

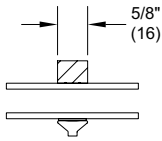
- Beige bulb type weather strip at top rails and hinge stiles.
 - Optional: Black.
- Black pile type weather strip at locking stiles.
- Panel drips and screws will be color matched to the panel clad color, for Custom Color clad the panel drips will be painted to match the panels but the screws will remain stainless steel.
- Sweep across panel bottom.
 - Optional: Bronze or Beige.

Standard Divided Lite Option

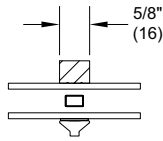


Clad Commercial Door

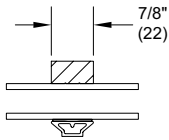
Optional Interior Square Simulated Divided Lite



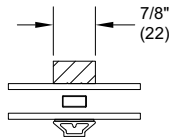
5/8" SDL



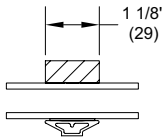
5/8" SDL
W/Spacer



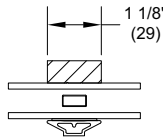
7/8" SDL



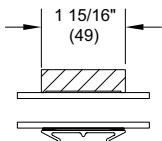
7/8" SDL
W/Spacer Bar



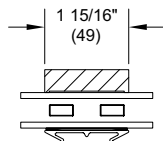
1 1/8" SDL



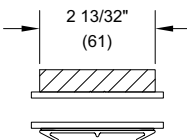
1 1/8" SDL
W/Spacer Bar



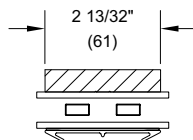
1 15/16" SDL



1 15/16" SDL
W/Two Spacer Bars



2 13/32" SDL



2 13/32" SDL
W/Two Spacer Bars

Standard Unit Measurements: 1 3/4" and 2 1/4" Doors

Standard 1 3/4" Commercial Unit Measurements													
Width													
Unit Type	Call Number	Masonry Opening		Rough Opening		Frame Size		Panel OM		Daylight Opening		Glass Size	
		ft - in	mm	ft - in	mm	ft - in	mm	ft-in	mm	ft - in	mm	ft-in	mm
Sidelite	1-6	1-8 5/8	(524)	1-9 1/8	(537)	1-8 1/8	(511)	1-5 3/4	(451)	0-11 25/32	(299)	1-1 3/32	(333)
1 Panel	3-0	3-2 21/32	(982)	3-3 5/32	(995)	3-2 5/32	(969)	2-11 13/16	(910)	1-11 27/32	(606)	2-1 5/32	(639)
	3-6	3-8 21/32	(1134)	3-9 5/32	(1147)	3-8 5/32	(1122)	3-5 13/16	(1062)	2-5 27/32	(758)	2-7 5/32	(791)
2 Panel	6-0	6-2 43/64	(1897)	6-3 11/64	(1909)	6-2 11/64	(1884)	2-11 13/16	(910)	1-11 27/32	(606)	2-1 5/32	(639)
	7-0	7-2 43/64	(2202)	7-3 11/64	(2214)	7-2 11/64	(2189)	3-5 13/16	(1062)	2-5 27/32	(758)	2-7 5/32	(791)
Height													
Unit Type	Call Number	Masonry Opening		Rough Opening		Frame Size		Panel OM		Daylight Opening		Glass Size	
		ft - in	mm	ft - in	mm	ft - in	mm	ft-in	mm	ft - in	mm	ft - in	mm
All Configurations	7-0	7-1 5/16	(2167)	7-1 9/16	(2173)	7-1 1/16	(2161)	6-11	(2108)	5-5 5/8	(1667)	5-6 15/16	(1700)
	8-0	8-1 5/16	(2472)	8-1 9/16	(2478)	8-1 1/16	(2465)	7-11	(2413)	6-5 5/8	(1972)	6-6 15/16	(2005)
	9-0	9-1 5/16	(2777)	9-1 9/16	(2783)	9-1 1/16	(2770)	8-11	(2718)	7-5 5/8	(2276)	7-6 15/16	(2310)

Standard 2 1/4" Commercial Unit Measurements													
Width													
Unit Type	Call Number	Masonry Opening		Rough Opening		Frame Size		Panel OM		Daylight Opening		Glass Size	
		ft - in	mm	ft - in	mm	ft - in	mm	ft-in	mm	ft - in	mm	ft-in	mm
Sidelite	1-6	1-8 5/8	(524)	1-9 1/8	(537)	1-8 1/8	(511)	1-5 3/4	(451)	0-11 25/32	(299)	1-1 3/32	(333)
1 Panel	3-0	3-2 21/32	(982)	3-3 5/32	(995)	3-2 5/32	(969)	2-11 13/16	(910)	1-11 27/32	(606)	2-1 5/32	(639)
	3-6	3-8 21/32	(1134)	3-9 5/32	(1147)	3-8 5/32	(1122)	3-5 13/16	(1062)	2-5 27/32	(758)	2-7 5/32	(792)
	4-0	4-2 21/32	(1287)	4-3 5/32	(1299)	4-2 5/32	(1274)	3-11 13/16	(1215)	2-11 27/32	(911)	3-1 5/32	(944)
2 Panel	6-0	6-2 43/64	(1897)	6-3 11/64	(1909)	6-2 11/64	(1884)	2-11 45/64	(907)	1-11 47/64	(603)	2-1 3/64	(636)
	7-0	7-2 43/64	(2202)	7-3 11/64	(2214)	7-2 11/64	(2189)	3-5 13/16	(1062)	2-5 27/32	(758)	2-7 5/32	(791)
	8-0	8-2 43/64	(2506)	8-3 11/64	(2519)	8-2 11/64	(2494)	3-11 13/16	(1214)	2-11 27/32	(910)	3-1 5/32	(944)
Height													
Unit Type	Call Number	Masonry Opening		Rough Opening		Frame Size		Panel OM		Daylight Opening		Glass Size	
		ft - in	mm	ft - in	mm	ft - in	mm	ft-in	mm	ft - in	mm	ft - in	mm
All Configurations	7-0	7-1 5/16	(2167)	7-1 9/16	(2173)	7-1 1/16	(2161)	6-11	(2108)	5-3 31/64	(1613)	5-4 51/64	(1646)
	8-0	8-1 5/16	(2472)	8-1 9/16	(2478)	8-1 1/16	(2465)	7-11	(2413)	6-3 31/64	(1917)	6-4 51/64	(1951)
	10-0	10-1 5/16	(3081)	10-1 9/16	(3088)	10-1 1/16	(3075)	9-11	(3023)	8-3 31/64	(2527)	8-4 51/64	(2560)

Standard Unit Measurements: Direct Glaze and In-Sash Transoms

Clad Direct Glaze Commercial Door Transom											
Width											
Unit Type	Call Number	Masonry Opening		Rough Opening		Frame Size		Daylight Opening		Glass Size	
		ft-in	mm	ft-in	mm	ft-in	mm	ft-in	mm	in	mm
1 Lite Direct Glaze Commercial Door Transom	3-0	3-2 11/16	(982)	3-3 3/16	(995)	3-2 3/16	(969)	2-10 7/32	(869)	35 19/32	(904)
	3-6	3-8 11/16	(1134)	3-9 3/16	(1147)	3-8 3/16	(1122)	3-4 7/32	(1022)	41 19/32	(1057)
	4-0	4-2 11/16	(1287)	4-3 3/16	(1299)	4-2 3/16	(1274)	3-10 7/32	(1174)	47 19/32	(1209)
	6-0	6-2 11/16	(1897)	6-3 3/16	(1909)	6-2 3/16	(1884)	5-10 1/4	(1784)	71 5/8	(1819)
	7-0	7-2 11/16	(2202)	7-3 3/16	(2214)	7-2 3/16	(2189)	6-10 1/4	(2089)	83 5/8	(2124)
	8-0	8-2 11/16	(2506)	8-3 3/16	(2519)	8-2 3/16	(2494)	7-10 1/4	(2394)	95 5/8	(2429)
Height											
Unit Type	Call Number	Masonry Opening		Rough Opening		Frame Size		Daylight Opening		Glass Size	
		ft-in	mm	ft-in	mm	ft-in	mm	ft-in	mm	in	mm
All Configurations	1-0	1-0 1/4	(311)	1-0 1/2	(318)	1-0	(305)	0-8 1/16	(205)	9 7/16	0-9 7/16
	1-2	1-2 1/4	(362)	1-2 1/2	(368)	1-2	(356)	0-10 1/16	(256)	11 7/16	0-11 7/16
	1-6	1-6 1/4	(464)	1-6 1/2	(470)	1-6	(457)	1-2 1/16	(357)	15 7/16	1-3 7/16

Standard Measurements for In-Sash Transoms for Commercial Units													
Width													
Unit Type	Call Number	Masonry Opening		Rough Opening		Frame Size		Panel OM		Daylight Opening		Glass Size	
		ft - in	mm	ft - in	mm	ft - in	mm	ft-in	mm	ft - in	mm	ft-in	mm
1 Sash	3-0	3-2 21/32	(982)	3-3 5/32	(995)	3-2 5/32	(969)	2-11 13/16	(910)	1-11 27/32	(606)	2-1 5/32	(639)
	3-6	3-8 21/32	(1134)	3-9 5/32	(1147)	3-8 5/32	(1122)	3-5 13/16	(1062)	2-5 27/32	(758)	2-7 5/32	(791)
	4-0	4-2 21/32	(1287)	4-3 5/32	(1299)	4-2 5/32	(1274)	3-11 13/16	(1215)	2-11 27/32	(911)	3-1 5/32	(944)
2 Sash	6-0	6-2 43/64	(1897)	6-3 11/64	(1909)	6-2 11/64	(1884)	2-11 13/16	(910)	1-11 27/32	(606)	2-1 5/32	(639)
	7-0	7-2 43/64	(2202)	7-3 11/64	(2214)	7-2 11/64	(2189)	3-5 13/16	(1062)	2-5 27/32	(758)	2-7 5/32	(791)
	8-0	8-2 43/64	(2506)	8-3 11/64	(2519)	8-2 11/64	(2494)	3-11 13/16	(1215)	2-11 27/32	(911)	3-1 5/32	(944)
Height													
Unit Type	Call Number	Masonry Opening		Rough Opening		Frame Size		Panel OM		Daylight Opening		Glass Size	
		ft - in	mm	ft - in	mm	ft - in	mm	ft-in	mm	ft - in	mm	ft - in	mm
In-Sash Configurations	1-6	1-6 1/4	(464)	1-6 1/2	(470)	1-6	(457)	1-3 5/16	(389)	0-9 5/16	(237)	0-10 5/8	(270)
	2-0	2-0 1/4	(616)	2-0 1/2	(622)	2-0	(610)	1-9 5/16	(541)	1-3 5/16	(389)	1-4 5/8	(422)
	2-6	2-6 1/4	(768)	2-6 1/2	(775)	2-6	(762)	2-3 5/16	(694)	1-9 5/16	(541)	1-10 5/8	(575)

Minimum and Maximum Guidelines - Doors and In-Sash Transoms

Minimum and Maximum Guidelines for 1 3/4" Door												
Unit Type	Min Frame Size Unit				Max Frame Size Unit				Extended Frame Size Unit			
	Width		Height		Width		Height		Width		Height	
	in	mm	in	mm	in	mm	in	mm	in	mm	in	mm
Sidelite	14 5/16	(364)	24 1/8	(613)	20 1/8	(511)	97 1/16	(2465)	53 15/32	(1358)	112 9/16	(2859)
1 - Panel Stationary	20 9/32	(515)	24 1/8	(613)	44 3/16	(1122)	109 1/16	(2770)	56 15/32	(1434)	112 9/16	(2859)
1 - Panel Operator	20 9/32	(515)	40 1/16	(1018)	44 3/16	(1122)	109 1/16	(2770)	50 11/32	(1279)	112 9/16	(2859)
2 - Panel Stationary	38 27/64	(976)	24 1/8	(613)	86 3/16	(2189)	109 1/16	(2770)	104 51/64	(2662)	112 9/16	(2859)
2 - Panel Operator	38 27/64	(976)	40 1/16	(1018)	86 3/16	(2189)	109 1/16	(2770)	98 35/64	(2503)	112 9/16	(2859)

Minimum and Maximum Guidelines for 2 1/4" Door												
Unit Type	Min Frame Size Unit				Max Frame Size Unit				Extended Frame Size Unit			
	Width		Height		Width		Height		Width		Height	
	in	mm	in	mm	in	mm	in	mm	in	mm	in	mm
Sidelite	14 5/16	(364)	26 17/64	(667)	20 1/8	(511)	121 1/16	(3075)	57 11/32	(1457)	121 1/16	(3075)
1 - Panel Stationary	20 9/32	(515)	26 17/64	(667)	50 3/16	(1275)	121 1/16	(3075)	57 11/32	(1457)	121 1/16	(3075)
1 - Panel Operator	20 9/32	(515)	40 1/16	(1018)	50 3/16	(1275)	121 1/16	(3075)	50 11/32	(1279)	121 1/16	(3075)
2 - Panel Stationary	38 27/64	(976)	26 17/64	(667)	98 3/16	(2494)	97 1/16	(2465)	112 35/64	(2859)	121 1/16	(3075)
2 - Panel Operator	38 27/64	(976)	40 1/16	(1018)	98 3/16	(2494)	121 1/16	(3075)	98 35/64	(2503)	121 1/16	(3075)

NOTE: 1 3/4" - Maximum Square Footage 25 (635) Sq. ft of Glass per Panel.

2 1/4" - Maximum Square Footage 60.99 (1773) Sq. ft of Glass Per Panel

Minimum and Maximum Guidelines for Transom												
Unit Type	Min Frame Size Unit				Max Frame Size Unit				Extended Frame Size Unit			
	Width		Height		Width		Height		Width		Height	
	in	mm	in	mm	in	mm	in	mm	in	mm	in	mm
1 Frame 1 Sash	20 9/32	(515)	11 3/8	(289)	44 3/16	(1122)	30	(762)	98 11/64	(2494)	50 11/16	(1287)
1 Frame 2 Sash	38 27/64	(976)	11 3/8	(289)	86 3/16	(2189)	30	(762)	191	(4851)	50 11/16	(1287)

Minimum and Maximum Guidelines - Direct Glaze Rectangle / Transoms

Minimum Guidelines - Direct Glaze Transoms				
Unit Type	Min Width		Min Height	
	in	mm	in	mm
Single Glaze	9 7/16	(240)	8 15/16	(227)
Insulating Glass	9 7/16	(240)	8 15/16	(227)

Maximum Guidelines - Direct Glaze Rectangles / Transoms				
Unit Type	Max Width		Max Height	
	in	mm	in	mm
Single Glaze	Certified Frame Size			
	84	(2134)	87	(2210)
	75	(1905)	97	(2464)
	87	(2210)	84	(2134)
	97	(2464)	75	(1905)
	Non-Certified Frame Size			
	145 9/16	(3697)	53 7/8	(1368)
	90 1/2	(2299)	86 1/16	(2186)
	86 1/16	(2186)	90 1/2	(2299)
	53 7/8	(1368)	145 9/16	(3697)
Insulating Glass	Certified Frame Size			
	84	(2134)	97	(2464)
	97	(2464)	84	(2134)
	Non-Certified Frame Size			
	145 9/16	(3697)	63 15/16	(1624)
	107 3/4	(2737)	86 1/16	(2186)
	86 1/16	(2186)	107 3/4	(2737)
	63 15/16	(1624)	145 9/16	(3697)

NOTE: Single glaze is not available with CE mark.

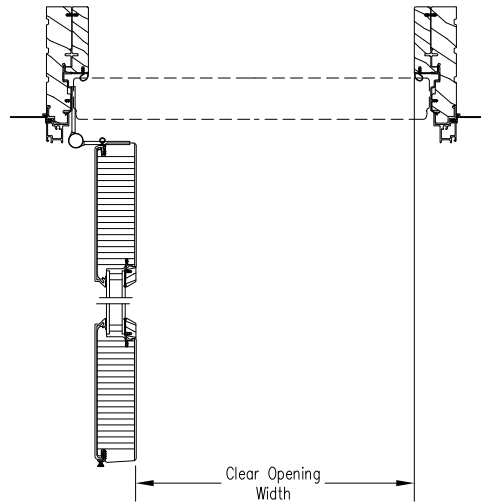
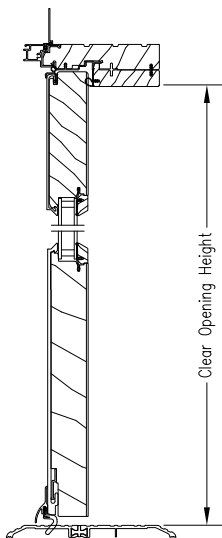
Clad Commercial Door

Net Clear Openings

Scale: 1 1/2" = 1'

Net Clear Opening 1 3/4" Commercial Door			
Width			
Unit Type	Call Number	Net Clear Openings	
		ft-in	mm
1 Panel	3-0	2-8 55/64	(835)
	3-6	3-2 55/64	(987)
2 Panel	6-0	5-7 5/64	(1704)
	7-0	6-7 5/64	(2008)
Height			
Unit Type	Call Number	Net Clear Openings	
		ft - in	mm
All Configurations	7-0	6-10 13/16	(2103)
	8-0	7-10 13/16	(2408)
	9-0	8-10 13/16	(2713)

Net Clear Opening 2 1/4" Commercial Door			
Width			
Unit Type	Call Number	Net Clear Openings	
		ft-in	mm
1 Panel	3-0	2-8 11/32	(822)
	3-6	3-2 11/32	(974)
	4-0	3-8 11/32	(1126)
2 Panel	6-0	5-6 3/64	(1678)
	7-0	6-6 3/64	(1983)
	8-0	7-6 3/64	(2287)
Height			
Unit Type	Call Number	Net Clear Openings	
		ft - in	mm
All Configurations	7-0	6-10 13/16	(2103)
	8-0	7-10 13/16	(2408)
	10-0	9-10 13/16	(3018)



Clad Commercial Door

Measurements Conversions

1 3/4" Door Unit Measurements		Width			Height	
From	To					
Rough Opening		in	mm		in	mm
OM of Frame	Rough Opening	+ 1	(25)		+ 1/2	(13)
Masonry Opening	Rough Opening	+ 1/2	(13)		+ 1/4	(06)
Masonry Opening w/BMC	Rough Opening	-2 1/8	(54)		-1 1/16	(27)
Masonry Opening w/Flat Casing	Rough Opening	-5 1/2	(140)		-2 3/4	(70)
Operating Panel		in	mm		in	mm
OM of Frame	OM of Sidelite	-2 3/8	(60)		-2 1/16	(52)
OM of Frame	OM of Panel (x1)	-2 11/32	(59)		-2 1/16	(52)
OM of Frame	OM of Panel (x2)	-2 35/64	(65)	÷ 2	-2 1/16	(52)
Daylight Opening	OM of Sidelite	+ 5 31/32	(152)		+ 17 3/8	(441)
Daylight Opening	OM of Panel	+ 11 31/32	(304)		+ 17 3/8	(441)
Glass		in	mm		in	mm
Daylight Opening	Glass	+ 1 5/16	(33)		+ 1 5/16	(33)

2 1/4" Door Unit Measurements		Width			Height	
From	To					
Rough Opening		in	mm		in	mm
OM of Frame	Rough Opening	+ 1	(25)		+ 1/2	(13)
Masonry Opening	Rough Opening	+ 1/2	(13)		+ 1/4	(06)
Masonry Opening w/BMC	Rough Opening	-2 1/8	(54)		-1 1/16	(27)
Masonry Opening w/Flat Casing	Rough Opening	-5 1/2	(140)		-2 3/4	(70)
Operating Panel		in	mm		in	mm
OM of Frame	OM of Sidelite	-2 3/8	(60)		-2 1/16	(52)
OM of Frame	OM of Panel (x1)	-2 11/32	(59)		-2 1/16	(52)
OM of Frame	OM of Panel (x2)	-2 35/64	(65)	÷ 2	-2 1/16	(52)
Daylight Opening	OM of Sidelite	+ 5 31/32	(152)		+ 19 1/2	(495)
Daylight Opening	OM of Panel	+ 11 31/32	(304)		+ 19 1/2	(495)
Glass		in	mm		in	mm
Daylight Opening	Glass	+ 1 5/16	(33)		+ 1 5/16	(33)

NOTE: The Direct Glaze Door Transom Conversions are covered in the [Clad Direct Glaze Polygon and Round Top Chapter](#)

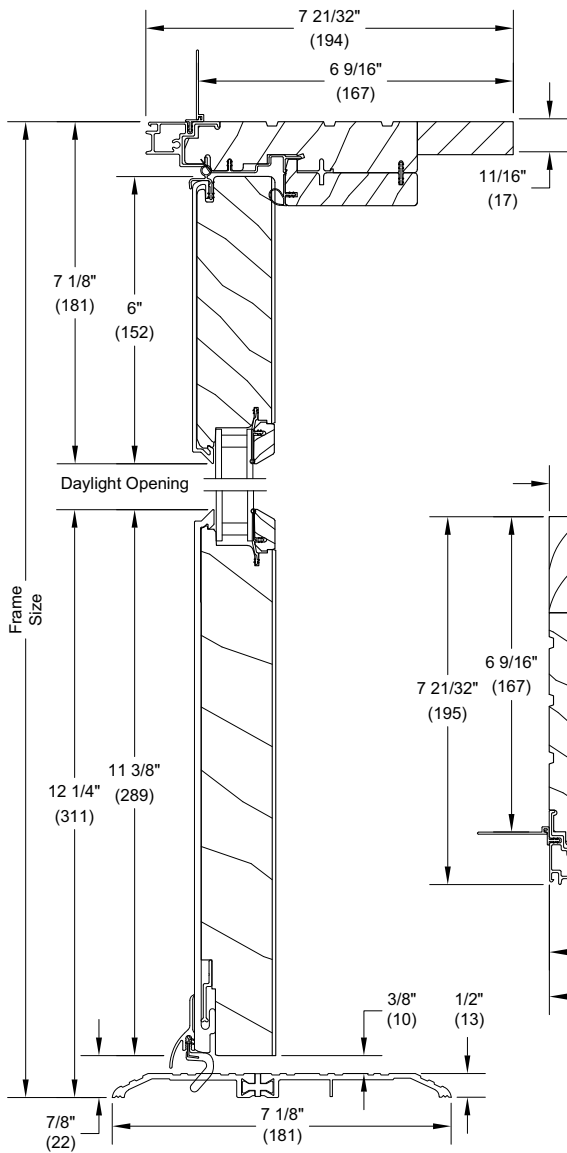
Measurements Conversions

In-Sash Transom Unit Measurements		Width			Height	
From	To	in	mm		in	mm
Rough Opening		in	mm		in	mm
OM of Frame	Rough Opening	+ 1	(25)		+ 1/2	(13)
Masonry Opening	Rough Opening	+ 1/2	(13)		+ 1/4	(06)
Masonry Opening w/BMC	Rough Opening	-2 1/8	(54)		-1 1/16	(27)
Masonry Opening w/Flat Casing	Rough Opening	-5 1/2	(140)		-2 3/4	(70)
Stationary Sash		in	mm		in	mm
OM of Frame	OM of Sash (x1)	-2 11/32	(59)		-2 11/16	(68)
OM of Frame	OM of Sash (x2)	-2 35/64	(65)	÷ 2	-2 11/16	(68)
Daylight Opening	OM of Panel	+ 11 31/32	(304)		+ 6	(152)
Glass		in	mm		in	mm
Daylight Opening	Glass	+ 1 5/16	(33)		+ 1 5/16	(33)

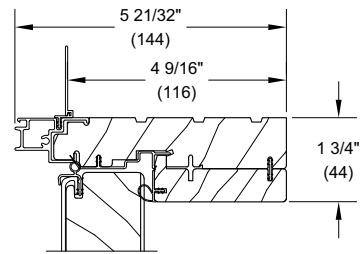
Clad Commercial Door

1 3/4" Commercial Section Details: Operating

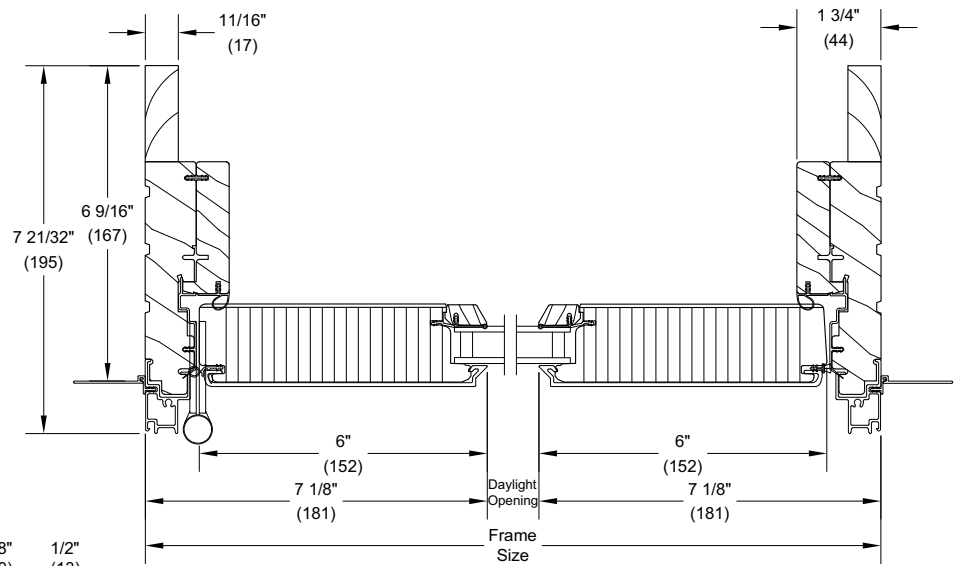
Scale: 3" = 1' 0"



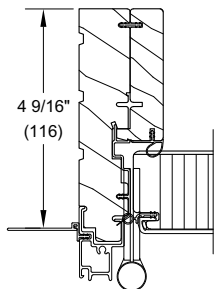
Head Jamb and Sill



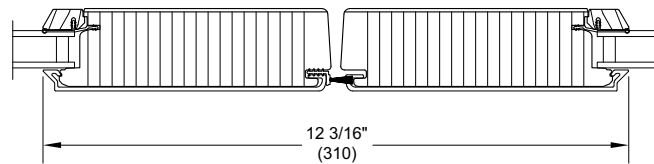
4 9/16" Head Jamb



X - LHR - Jamb



4 9/16" Jamb

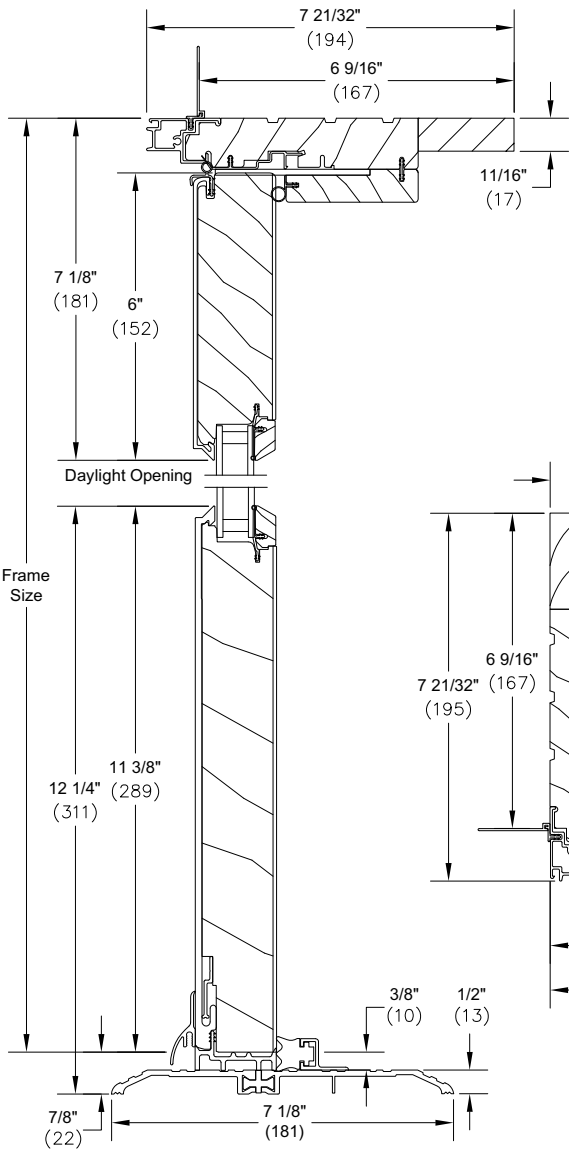


XX - Meeting Stiles

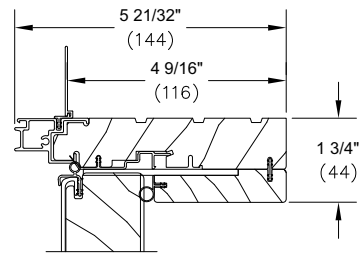
Clad Commercial Door

1 3/4" Commercial Section Details: Stationary and Sidelite

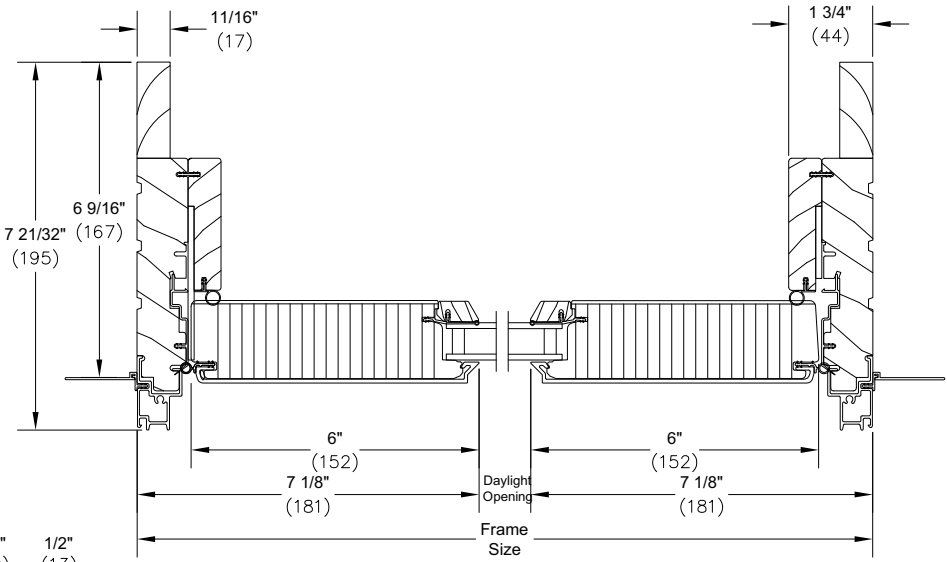
Scale: 3" = 1' 0"



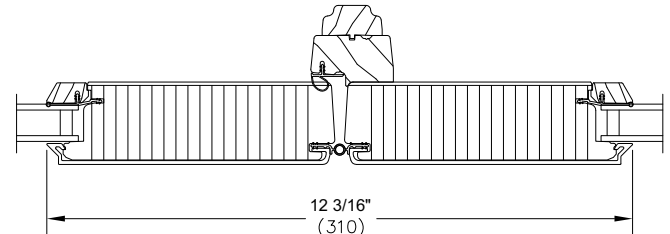
Head Jamb and Sill



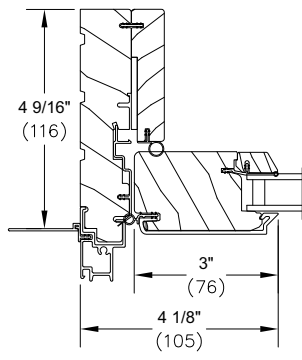
4 9/16" Head Jamb



O - Jamb



OO Meeting Stiles

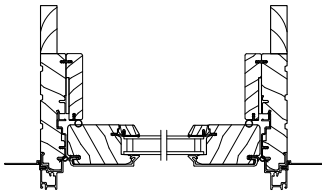


O - Jamb 3" Stile

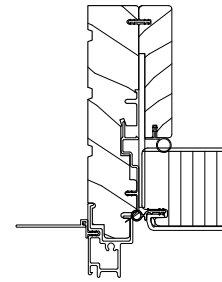
Clad Commercial Door

1 3/4" Commercial Section Details: Panel Configurations

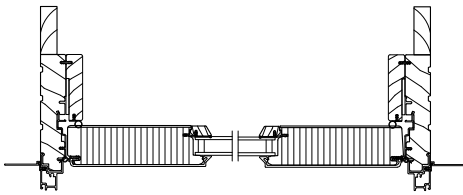
Scale: 1 1/2" = 1'



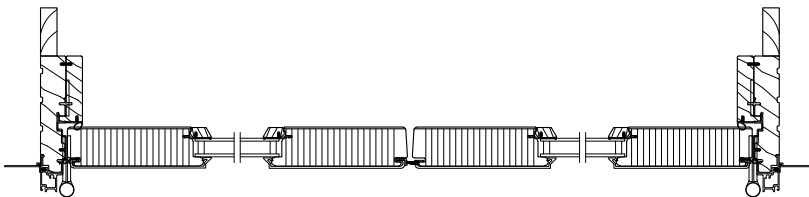
Sidelite Jamb



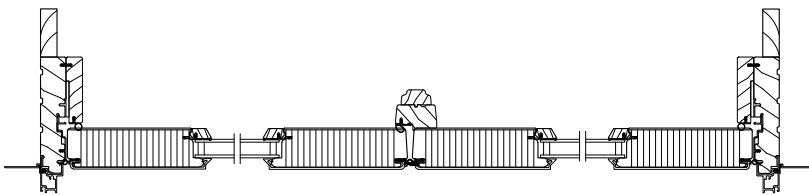
4 9/16" - Jamb
Scale: 3" = 1'-0"



O Jamb



XX - RHRA Jamb

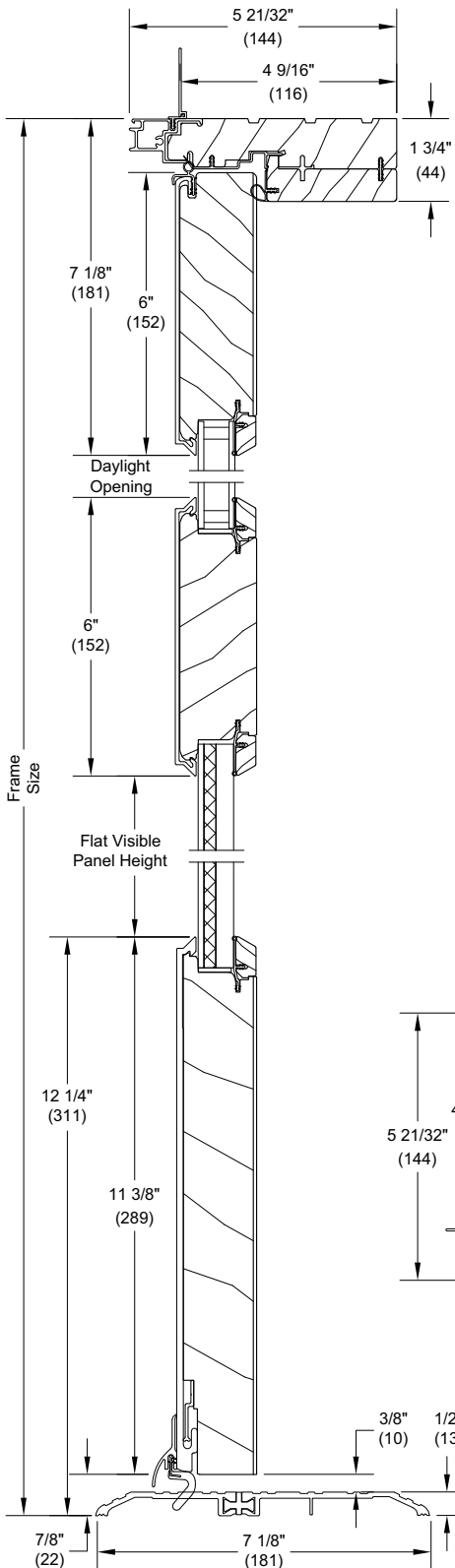


OO Jamb

Clad Commercial Door

1 3/4" Commercial Section Details: Flat Panel Placement

Scale: 3" = 1' 0"



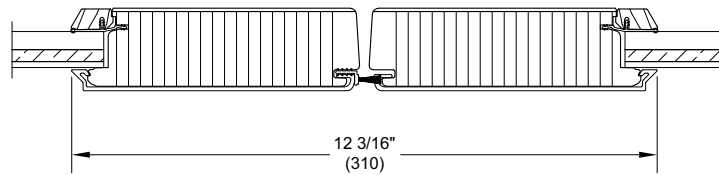
Head Jamb and Sill

Flat Panel - Standard Configuration/ Low Placement

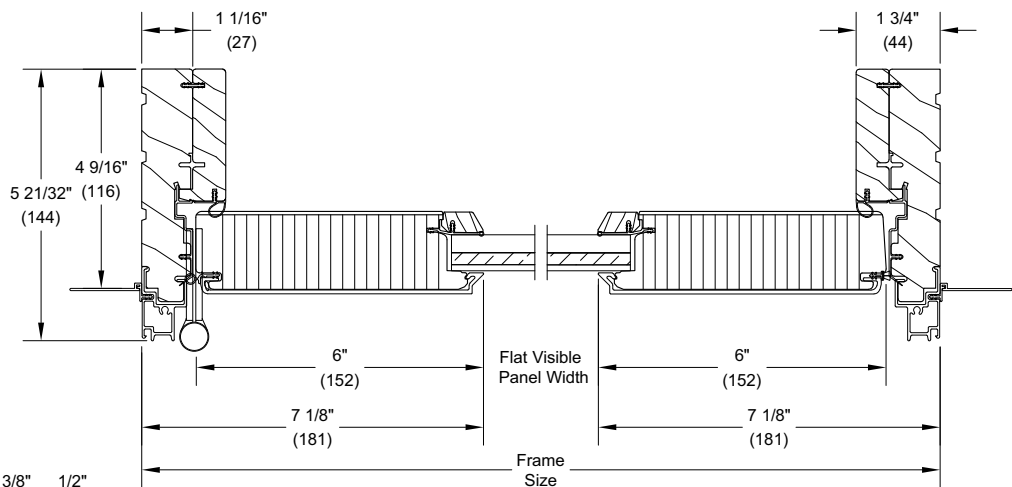
6" intermediate rail placed 26" (660) O.C. from bottom of the door sill with 10 13/16" (275) visible panel height.

Flat Panel - Standard Configuration/ High Placement

6" intermediate rail placed 40 5/16" (1024) O.C. from bottom of the door sill with 25 1/8" (638) visible panel height.



XX - Meeting Stiles

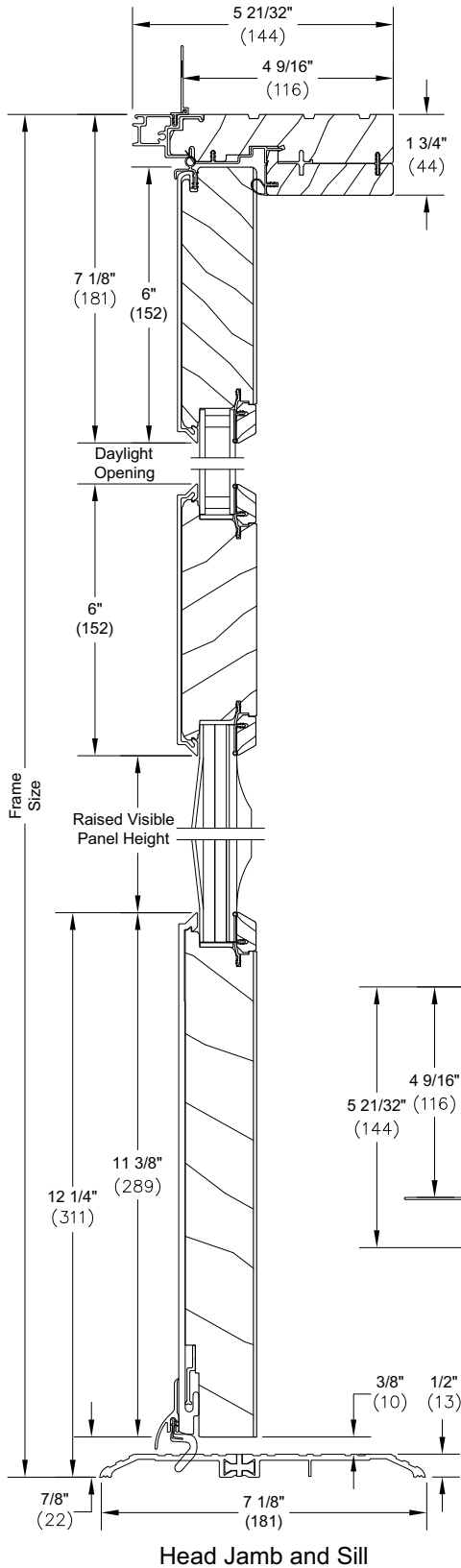


X - LHR - Jamb

Clad Commercial Door

1 3/4" Commercial Section Details: Raised Panel Placement

Scale: 3" = 1' 0"

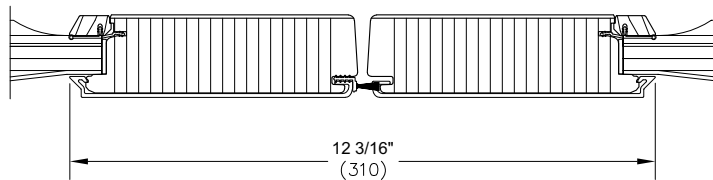


Raised Panel - Standard Configuration / Low Placement

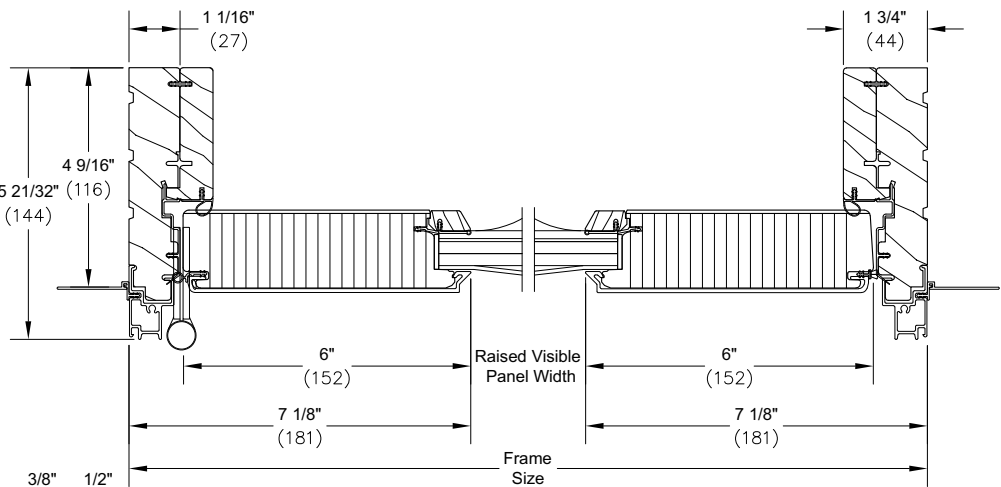
6" intermediate rail placed 26" (660) O.C. from bottom of the door sill with 10 13/16" (275) visible panel height.

Raised Panel - Standard Configuration / High Placement

6" intermediate rail placed 40 5/16" (1024) O.C. from bottom of the door sill with 25 1/8" (638) visible panel height.



XX - Meeting Stiles

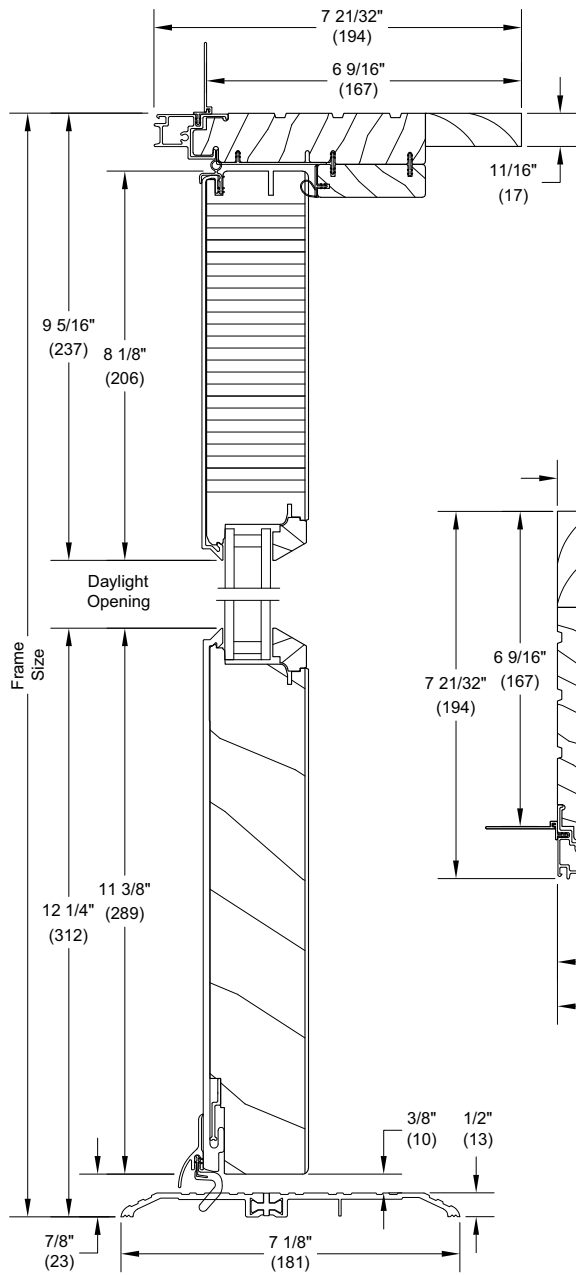


X - LHR - Jamb

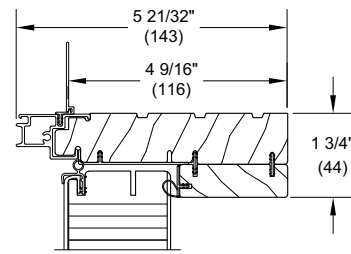
Clad Commercial Door

2 1/4" Commercial Section Details: Operating

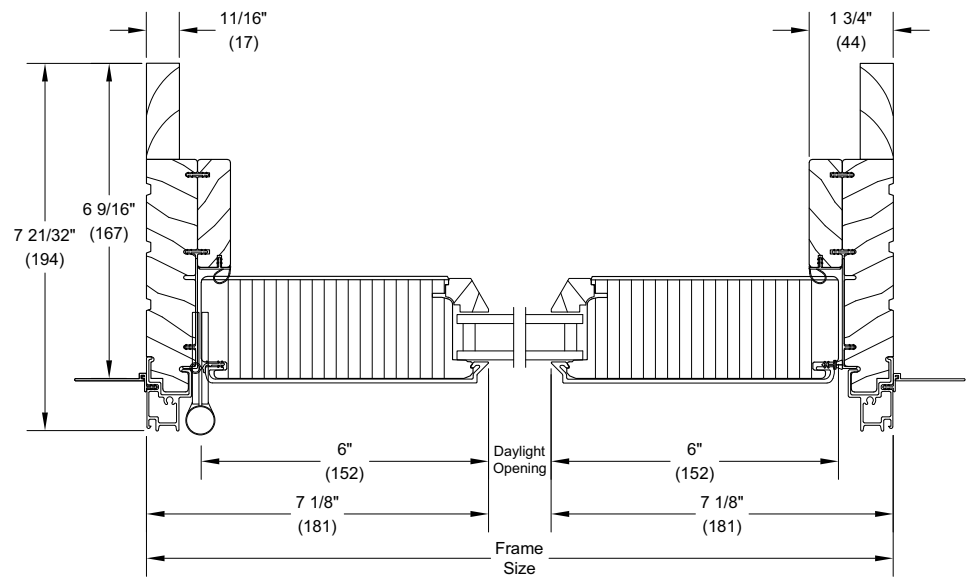
Scale: 3" = 1' 0"



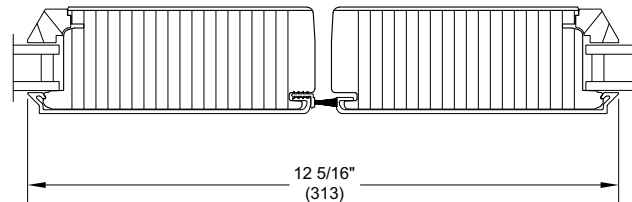
Head Jamb and Sill



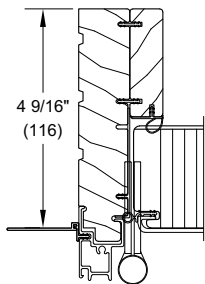
4 9/16" Head Jamb



X - LHR - Jamb



XX - Meeting Stiles

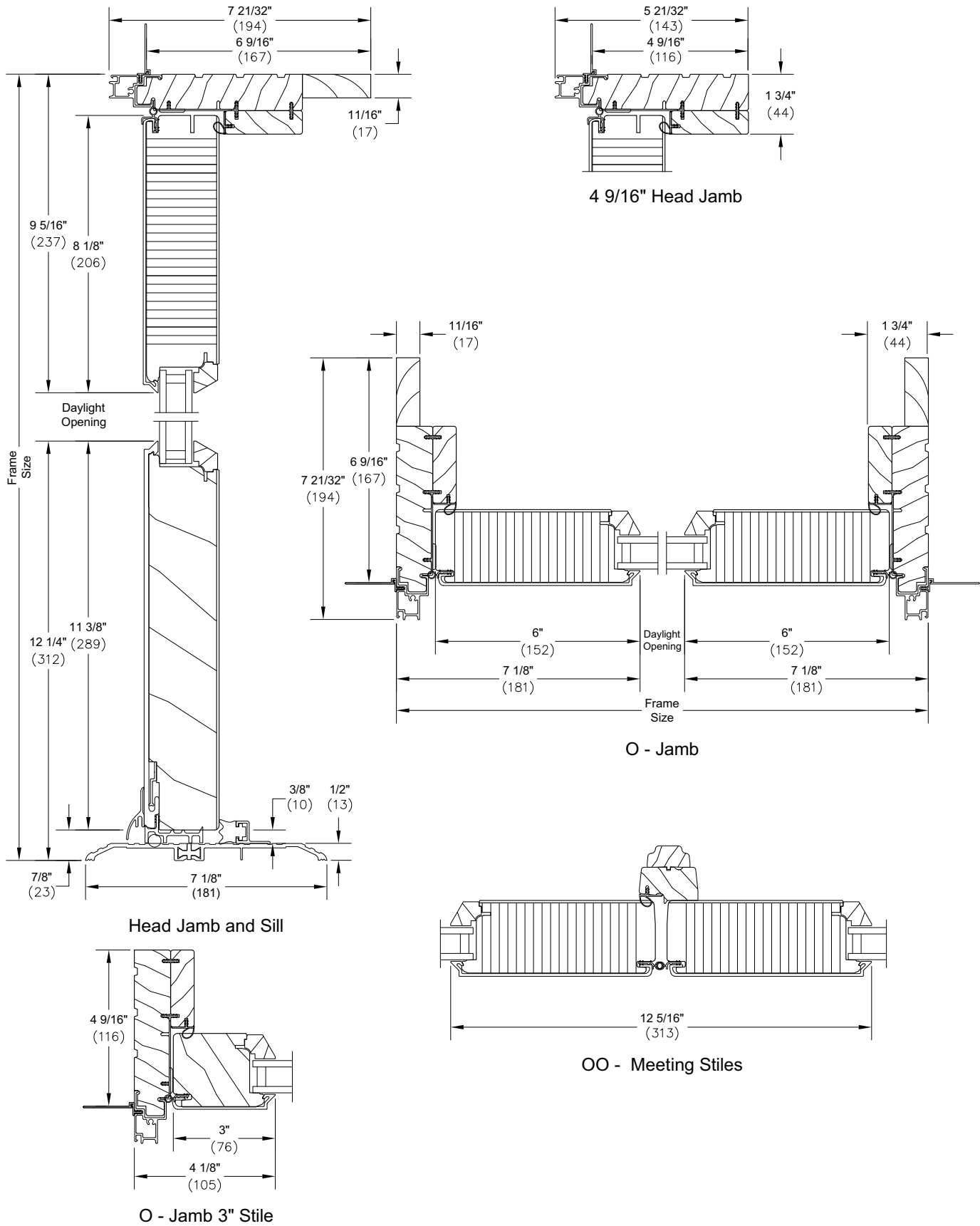


4 9/16" Jamb

Clad Commercial Door

2 1/4" Commercial Section Details: Stationary and Sidelite

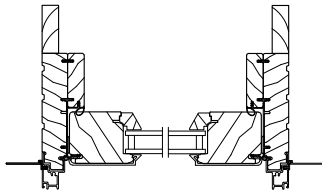
Scale: 3" = 1' 0"



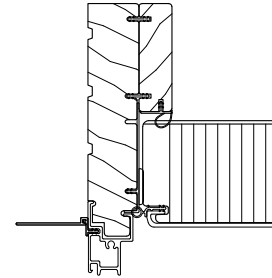
Clad Commercial Door

2 1/4" Commercial Section Details: Panel Configurations

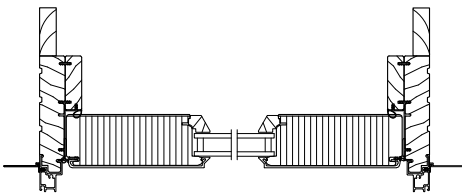
Scale: 1 1/2" = 1'



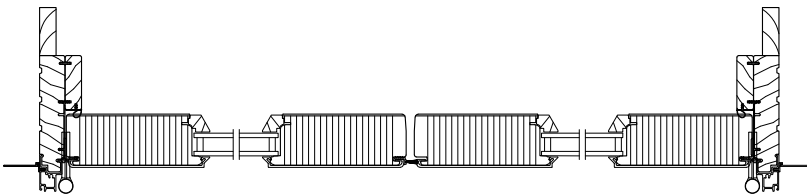
Sidelite Jamb



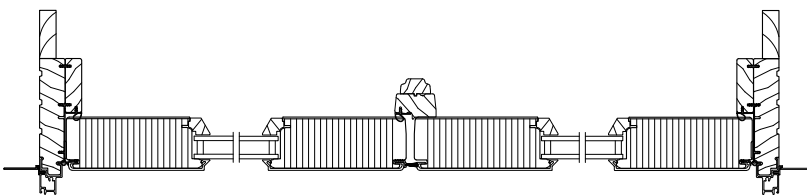
4 9/16" - Jamb
Scale: 3" = 1'-0"



O Jamb



XX - RHRA Jamb

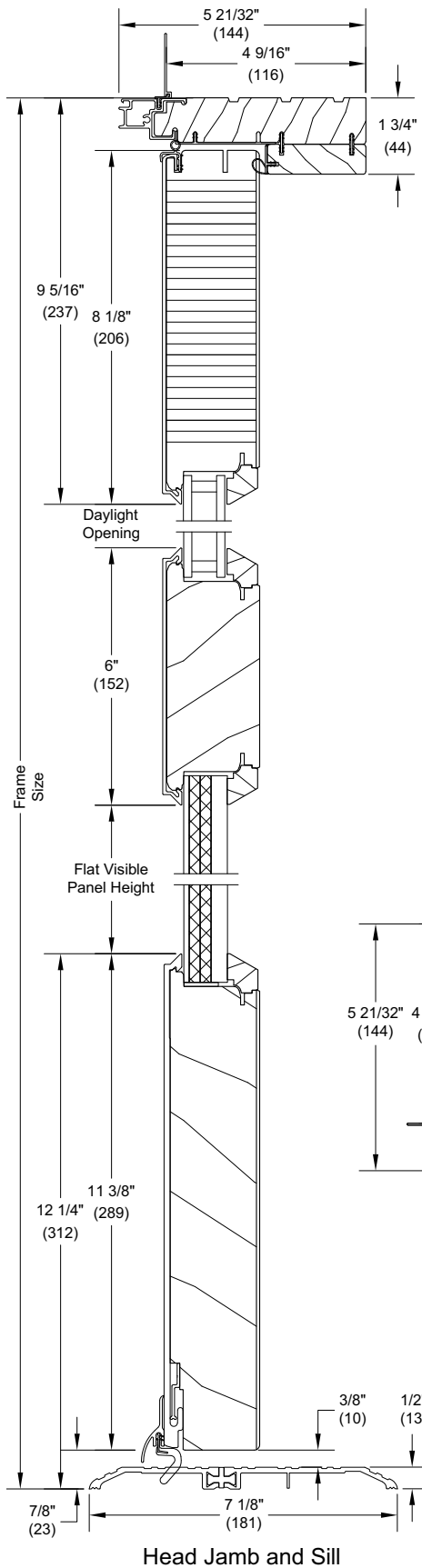


OO Jamb

Clad Commercial Door

2 1/4" Commercial Section Details: Flat Panel Placement

Scale: 3" = 1' 0"

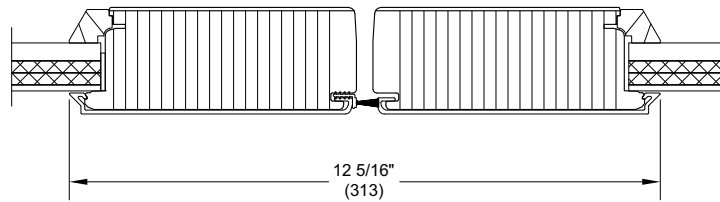


Flat Panel - Standard Configuration/ Low Placement

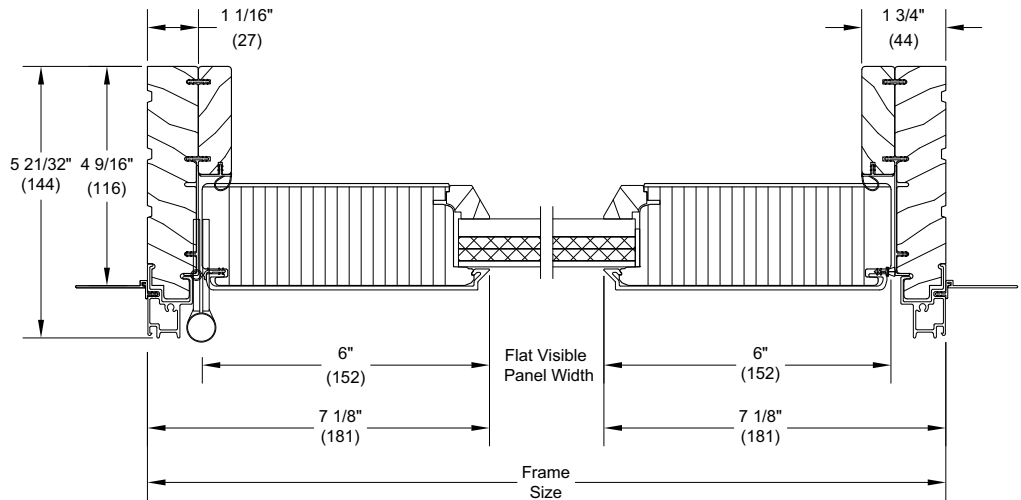
6" intermediate rail placed 26" (660) O.C. from bottom of the door sill with 10 13/16" (275) visible panel height.

Flat Panel - Standard Configuration/ High Placement

6" intermediate rail placed 40 5/16" (1024) O.C. from bottom of the door sill with 25 1/8" (638) visible panel height.



XX - Meeting Stiles

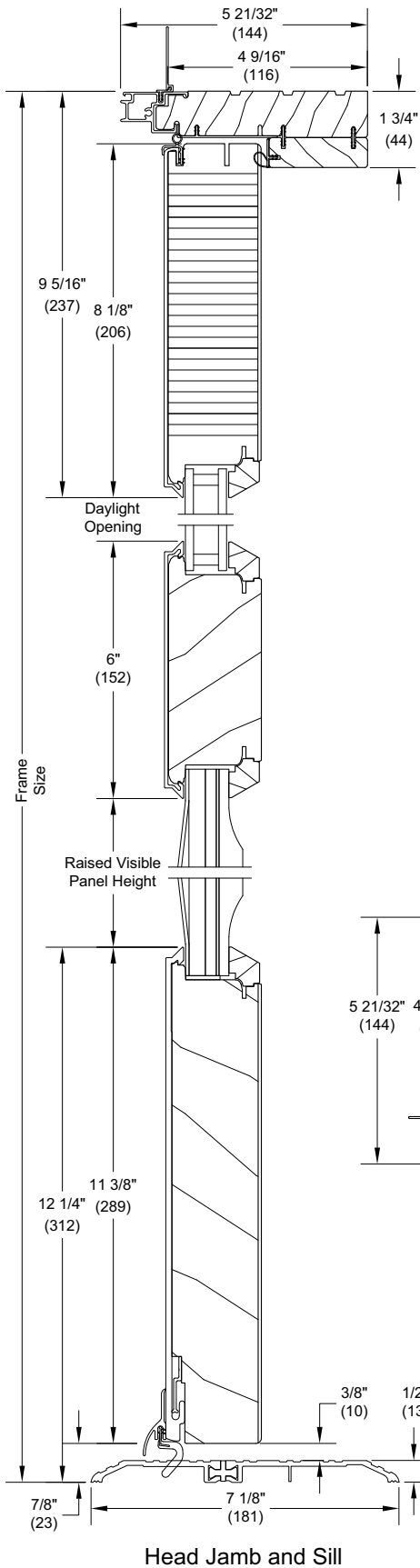


X - LHR - Jamb

Clad Commercial Door

2 1/4" Commercial Section Details: Raised Panel Placement

Scale: 3" = 1' 0"

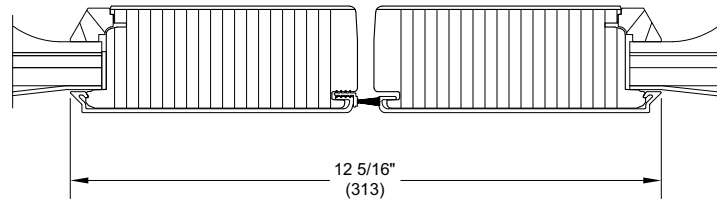


Raised Panel - Standard Configuration / Low Placement

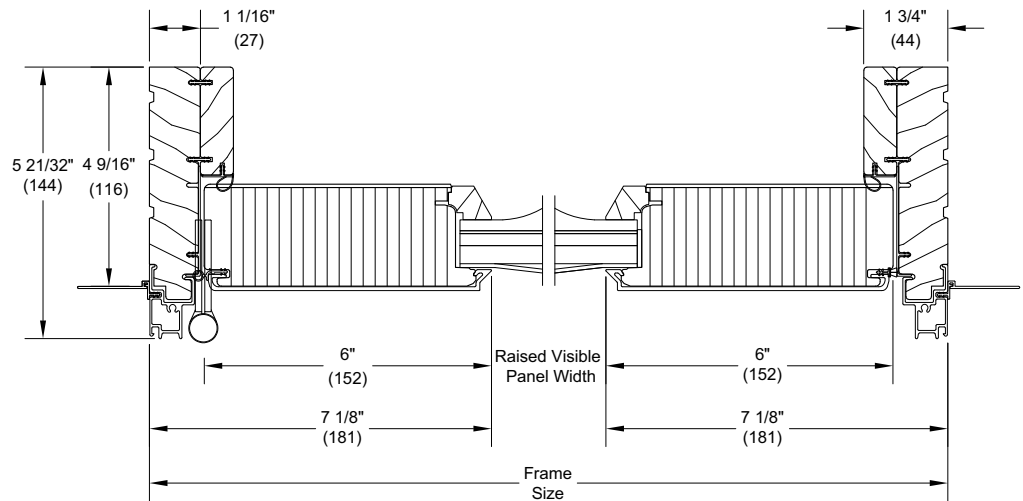
6" intermediate rail placed 26" (660) O.C. from bottom of the door sill with 10 13/16" (275) visible panel height.

Raised Panel - Standard Configuration / High Placement

6" intermediate rail placed 40 5/16" (1024) O.C. from bottom of the door sill with 25 1/8" (638) visible panel height.



XX - Meeting Stiles

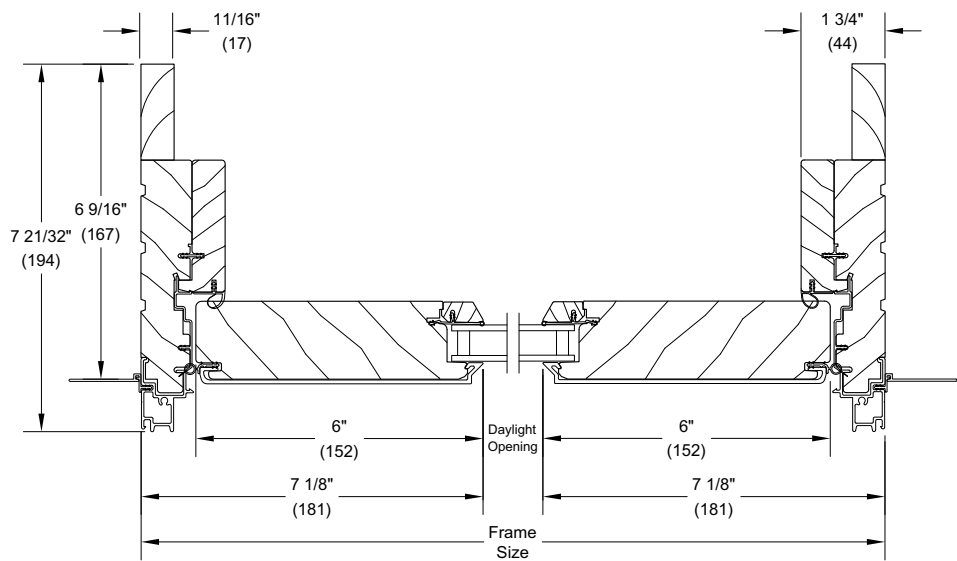
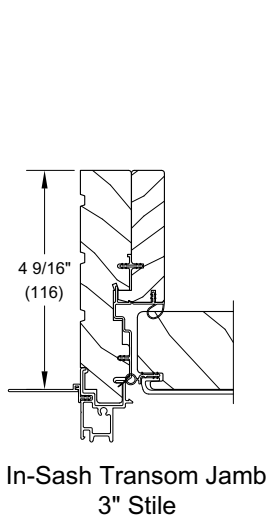
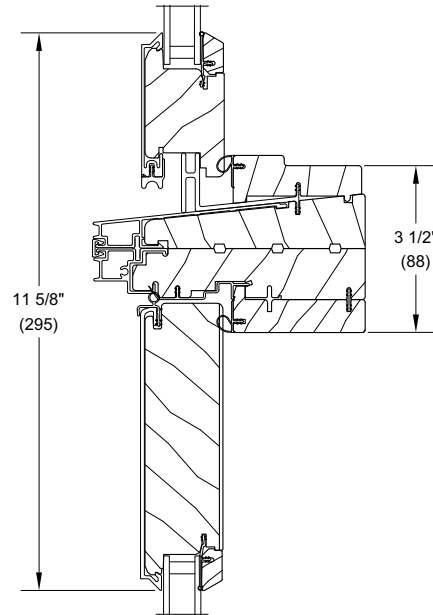
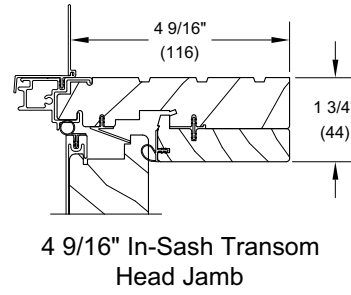
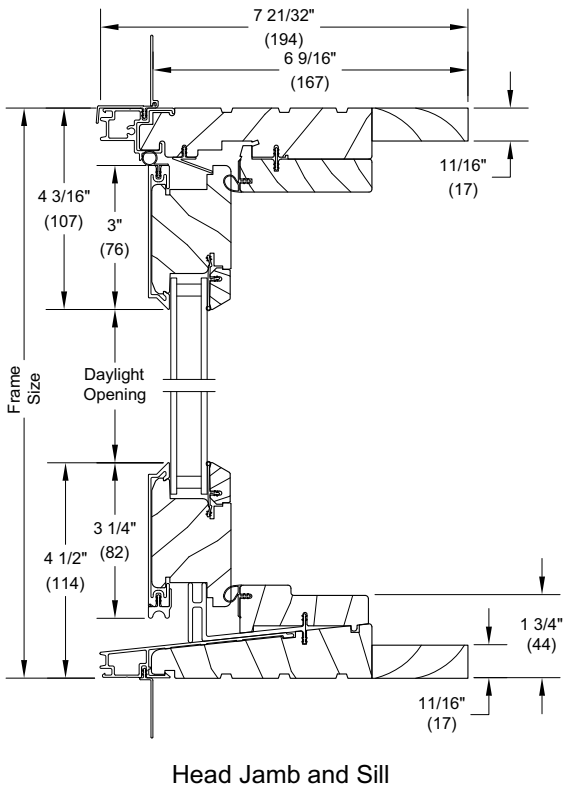


X - LHR - Jamb

Clad Commercial Door

1 3/4" and 2 1/4" Commercial Section Details: In-Sash Transom

Scale: 3" = 1' 0"



NOTE: Sidelite Transom not available with CE mark.

Clad Commercial Door

1 3/4" and 2 1/4" Commercial Section Details: Direct Glaze Transom

Scale: 3" = 1' 0"

