

Infinity Sliding Patio Door

Unit Features.....	1
Lite Options	3
Minimum and Maximum Guidelines and Certified Sizes	4
STC/OITC Glass Values	5
Standard Unit Measurements.....	6
Elevations.....	7
Net Clear Opening.....	8
Measurement Conversions: All Configurations and 2 Panel	9
Measurement Conversions: 3 Panel	10
Section Details: 2 Panel - Operating	11
Section Details: 3 Panel - Operating with 4 9/16" Jambs	12
Section Details: 3 Panel - Operating with 6 9/16" Jambs	13

Infinity Sliding Patio Door

Unit Features

Infinity Sliding Patio Door: NSPD

Ultrex® Pultruded Fiberglass Frame:

- Frame thickness: 1 7/32" (31)
- Frame depth: 4 9/16" (116)
- Exterior colors: Stone White, Sierra, Cashmere, Pebble Gray, Bahama Brown, Bronze
- Interior colors: Stone White, Sierra, EverWood™

Ultrex® Pultruded Fiberglass Panel:

- Panel thickness: 1 3/4" (44)
- Top rail, stiles and bottom rail: 2 5/16" (59)
- Exterior colors: Stone White, Sierra, Cashmere, Pebble Gray, Bahama Brown, Bronze
- Interior colors: Stone White, Sierra, EverWood™

Hardware:

- Multi-point locking system:
 - Keyed
 - An anti-slam pin is standard to prevent from locking when door is open
 - Handle set: interior and exterior selected separately, modern handle sets optional
 - Polyester powder coat finish on zinc die-cast
 - Classic handle set: available in White, Satin Taupe, Sierra
 - Modern handle set: available in White, Satin Taupe
 - Optional finishes are applied to a solid brass substrate
 - Classic handle set available in Brass PVD, Satin Nickel PVD, Oil Rubbed Bronze PVD, Brushed Chrome PVD, Antique Brass (Non-PVD)
 - Modern handle set available in Brass PVD, Satin Nickel PVD, Oil Rubbed Bronze PVD
- Rollers:
 - Two adjustable steel roller assemblies per operating panel
 - Two ball bearing wheels per roller assembly
 - Maximum vertical adjustment: 5/16" (8)
- Foot bolt:
 - Color: white, beige

Weather Strip:

- Interlock has a full length leaf style weather strip
- Jamb, head jamb, and sill utilize a leaf style weather strip

Insect Screens:

- Extruded aluminum sliding frame
 - Color: Stone White, Sierra, Pebble Gray, Bronze, Cashmere, Bahama Brown
- Top hung roller assembly with stainless steel ball bearings in nylon wheels, top roller adjustable up to 3/8" (10)
- Standard screen mesh material: charcoal fiberglass
- Optional screen mesh material: high transparency
- Flush mounted rigid nylon handle

Glass:

- Glazing seal: silicone bedding on interior and exterior
- Standard glass: Low E2 tempered with Argon or air
- Optional glazing available: Low E1 tempered with Argon or air, Low E3 tempered with Argon or air, Low E3/ERS tempered with Argon or air, and obscure
- Insulating glass will be altitude adjusted with capillary tubes for higher elevations
- Argon gas is not available for elevations that require capillary tubes

Unit Features

Simulated Divided Lites (SDL):

- 7/8" (22) or 1 1/8" (29) bar (interior and exterior)
- Exterior: color matched to unit exterior
- Interior: color matched to interior - ABS material
- Pattern: equal rectangular, cottage, prairie

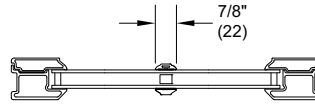
Grilles-Between-the-Glass (GBG):

- 11/16" (18) or 1" (25) contoured aluminum bar
- Exterior: color matched to unit exterior
- The exterior GBG color is designed to best match the unit exterior color when used with Low E glass. The use of different types of glazing options may alter the exterior GBG color appearance.
- Interior colors: White, Satin Taupe, Sierra, Bronze
- Pattern: equal rectangular, cottage, prairie

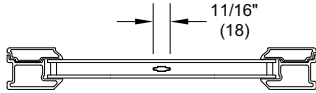
Lite Options



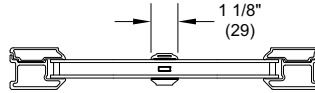
Insulating Glass



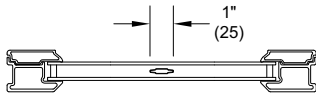
Insulating Glass
7/8" SDL w/ spacer bar



Insulating Glass
11/16" GBG



Insulating Glass
1 1/8" SDL w/ spacer bar



Insulating Glass
1" GBG

Minimum and Maximum Guidelines and Certified Sizes

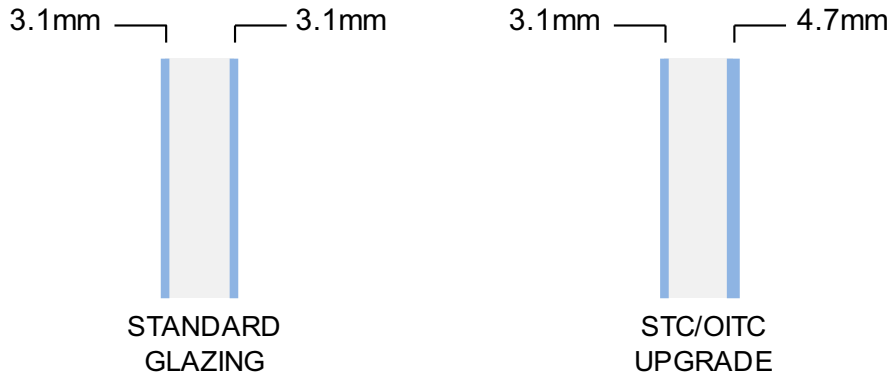
Minimum and Maximum Guidelines								
Unit Configuration	Frame Size							
	Min Width		Min Height		Max Width		Max Height	
	in	mm	in	mm	in	mm	in	mm
2 - Panel Operator	53	(1346)	71 1/2	(1816)	95	(2413)	95 1/2	(2426)
3 - Panel Operator	79 1/2	(2019)	71 1/2	(1816)	106 1/2	(2705)	95 1/2	(2426)

Product	Air Tested to psf	Water Tested to psf	Design Pressure (DP)	Certification Rating	Max Overall Width		Max Overall Height	
					in	mm	in	mm
Infinity Sliding Patio Door (NSPD 6070 XO/OX)	1.57	6	40	LC-PG40-SD	71	(1803)	86	(2184)
Infinity Sliding Patio Door (NSPD 8080 XO/OX)	1.57	4.6	30	LC-PG30-SD	95	(2413)	95 1/2	(2426)
Infinity Sliding Patio Door (NSPD 9070 OOX / XOO)	1.57	4.6	30	LC-PG30-SD	106 1/2	(2705)	86	(2184)
Infinity Sliding Patio Door (NSPD 9080 OOX / XOO)	1.57	4.6	30	LC-PG30-SD	106 1/2	(2705)	95 1/2	(2426)
Infinity Sliding Patio Door (NSPD 9070 OXO)	1.57	4.6	30	LC-PG30-SD	106 1/2	(2705)	86	(2184)
Infinity Sliding Patio Door (NSPD 9080 OXO)	1.57	4.6	25	LC-PG30-SD	106 1/2	(2705)	95 1/2	(2426)

Infinity Sliding Patio Door

STC/OITC Glass Values

This glazing option incorporates 3.1mm/4.7mm variable thickness glass to increase STC/OITC performance and improve sound abatement. Infinity's STC/OITC upgrade includes third party ASTM ratings and reports. STC/OITC ratings for this option and for standard 3.1mm/3.1mm insulating glass are shown in the attached chart.



Product Type	Exterior Glazing	Airspace	Interior Glazing	STC	OITC
Sliding Patio Door	1/8" (3.1)	17/32" (13.0)	1/8" (3.1)	27	23
	1/8" (3.1)	15/32" (11.5)	3/16" (4.7)	29	26

Standard Unit Measurements

Standard Sliding Patio Door Unit Measurements													
Width													
Unit Type	Call Number	Masonry Opening		Rough Opening		Frame Size		Panel OM		Daylight Opening		Glass Size	
		ft - in	mm	ft - in	mm	ft - in	mm	ft-in	mm	ft - in	mm	in	mm
XO, OX	5-0	4-11 1/2	(1511)	5-0	(1524)	4-11	(1499)	2-5 5/8	(752)	2-1	(635)	26 1/4	(667)
	6-0	5-11 1/2	(1816)	6-0	(1829)	5-11	(1803)	2-11 5/8	(905)	2-7	(787)	32 1/4	(819)
	8-0	7-11 1/2	(2426)	8-0	(2438)	7-11	(2413)	3-11 5/8	(1210)	3-7	(1092)	44 1/4	(1124)
OOX, XOO OXO	9-0	8-11	(2718)	8-11 1/2	(2731)	8-10 1/2	(2705)	2-11 5/8	(905)	2-7	(787)	32 1/4	(819)
Height													
Unit Type	Call Number	Masonry Opening		Rough Opening		Frame Size		Panel OM		Daylight Opening		Glass Size	
		ft - in	mm	ft - in	mm	ft - in	mm	ft-in	mm	ft - in	mm	in	mm
All Configurations	6-5	6-7 3/4	(2026)	6-8	(2032)	6-7 1/2	(2019)	6-4 21/32	(1947)	6-0 1/32	(1830)	73 7/32	(1860)
	6-8	6-10 1/4	(2089)	6-10 1/2	(2096)	6-10	(2083)	6-7 5/32	(2011)	6-2 17/32	(1893)	75 23/32	(1923)
	8-0	7-11 3/4	(2432)	8-0	(2438)	7-11 1/2	(2426)	7-8 21/32	(2354)	7-4 1/32	(2236)	89 7/32	(2266)

Elevations

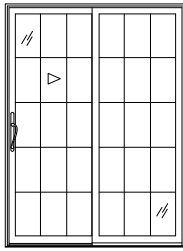
Mas. Opg. 4-11 1/2 (1511)
Rgh. Opg. 5-0 (1524)
Frame Size 4-11 (1499)
Glass Size 26 1/4" (667)

5-11 1/2 (1816)
6-0 (1829)
5-11 (1793)
32 1/4" (819)

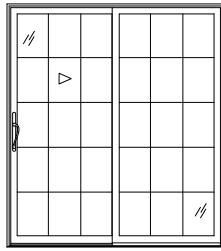
7-11 1/2 (2426)
8-0 (2438)
7-11 (2413)
44 1/4" (1124)

8-11 (2718)
8-11 1/2 (2731)
8-10 1/2 (2705)
32 1/4" (751)

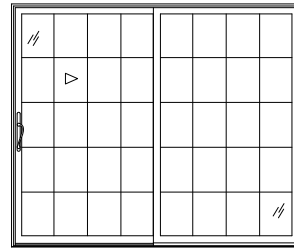
6-7 3/4 (2026)
6-8 (2032)
6-7 1/2 (2019)
73 7/32" (1860)



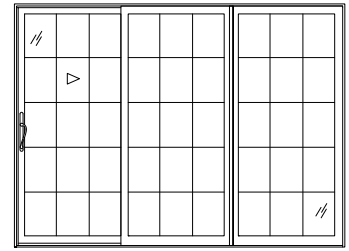
NSPD 5065



NSPD 6065

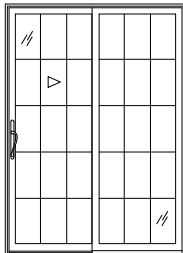


NSPD 8065

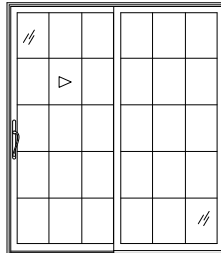


NSPD 9065

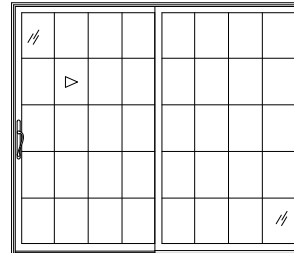
6-10 1/4 (2089)
6-10 1/2 (2086)
6-10 (2083)
75 23/32" (1924)



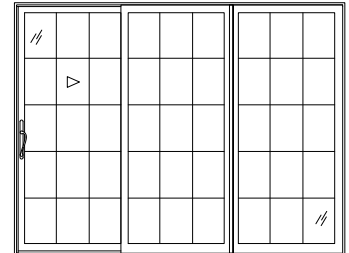
NSPD 5068



NSPD 6068

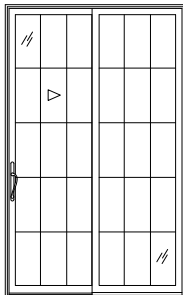


NSPD 8068

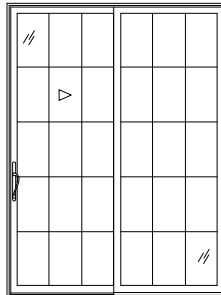


NSPD 9068

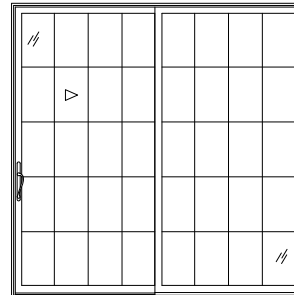
7-11 3/4 (2432)
8-0 (2438)
7-11 1/2 (2426)
89 7/32" (2266)



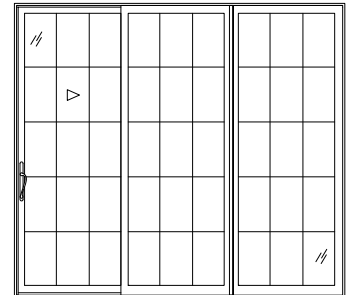
NSPD 5080



NSPD 6080

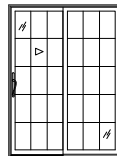


NSPD 8080

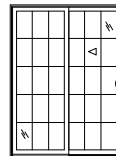


NSPD 9080

2 Panel Units

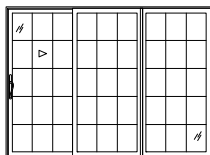


XO

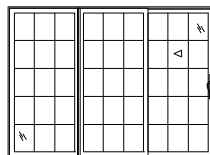


OX

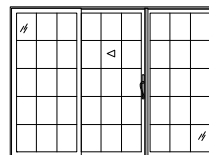
3 Panel Units



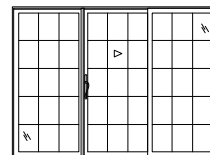
XO0



OOX



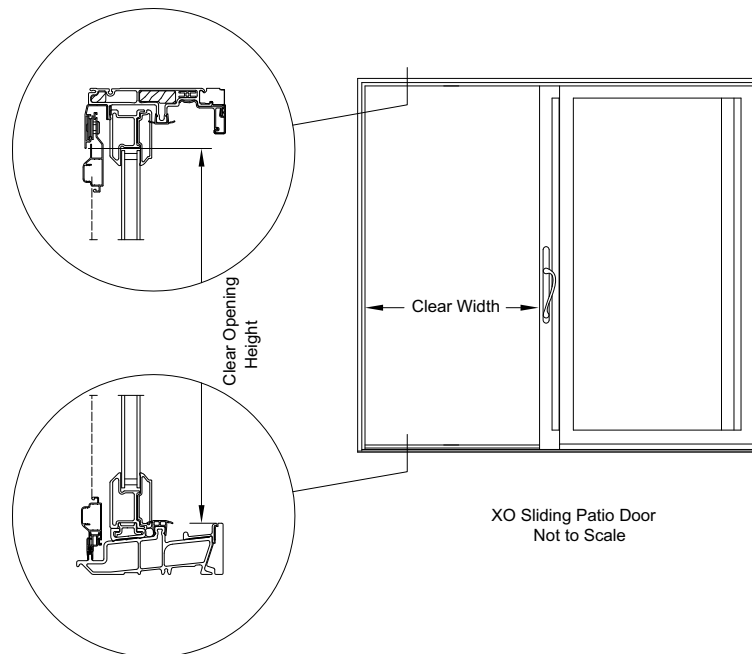
OXO-L



OXO-R

Net Clear Opening

Net Clear Opening Sliding Patio Door			
Width			
Unit Type	Call Number	Net Clear Openings	
		ft-in	mm
1 Panel Operator	5-0	1-11 17/64	(591)
	6-0	2-5 17/64	(743)
	8-0	3-5 17/64	(1048)
	9-0	2-5 17/64	(743)
Height			
Unit Type	Call Number	Net Clear Openings	
		ft - in	mm
All Configurations	6-5	6-2 47/64	(1898)
	6-8	6-5 15/64	(1962)
	8-0	7-6 47/64	(2305)



Measurement Conversions: All Configurations and 2 Panel

Unit Measurements: All Configurations		Width			Height	
From	To		in	mm	in	mm
Rough Opening			in	mm	in	mm
Masonry Opening	Rough Opening		+ 1/2	(13)	+ 1/4	(6)
OM of Frame	Rough Opening		+ 1	(25)	+ 1/2	(13)

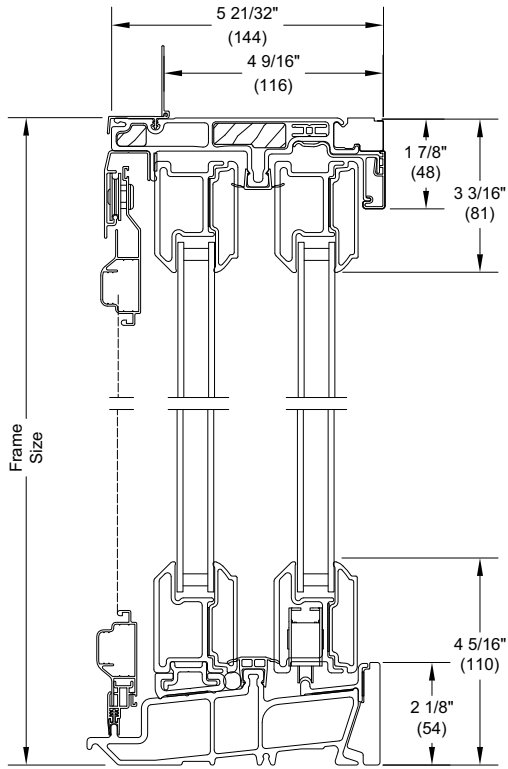
Unit Measurements: 2 Panel Configuration		Width			Height	
From	To		in	mm	in	mm
Rough Opening			in	mm	in	mm
Masonry Opening	Rough Opening		+ 1/2	(13)	+ 1/4	(6)
OM of Frame	Rough Opening		+ 1	(25)	+ 1/2	(13)
Daylight Opening	Rough Opening	x 2	+ 10	(254)	+ 7 31/32	(202)
Panel			in	mm	in	mm
OM of Frame	OM of Panel	÷ 2	+ 1/8	(3)	-2 27/32	-(72)
Daylight Opening	OM of Panel		+ 4 5/8	(117)	+ 4 5/8	(117)
Glass			in	mm	in	mm
OM of Frame	Glass	÷ 2	-3 1/4	-(83)	-6 17/64	-(159)
Daylight Opening	Glass		+ 1 1/4	(32)	+ 1 3/16	(30)
Screen			in	mm	in	mm
OM of Frame	OM of Screen	÷ 2	-5/16	-(8)	-2 29/64	-(62)
Daylight Opening	OM of Screen		+ 4 3/16	(106)	+ 5 1/64	(127)

Measurement Conversions: 3 Panel

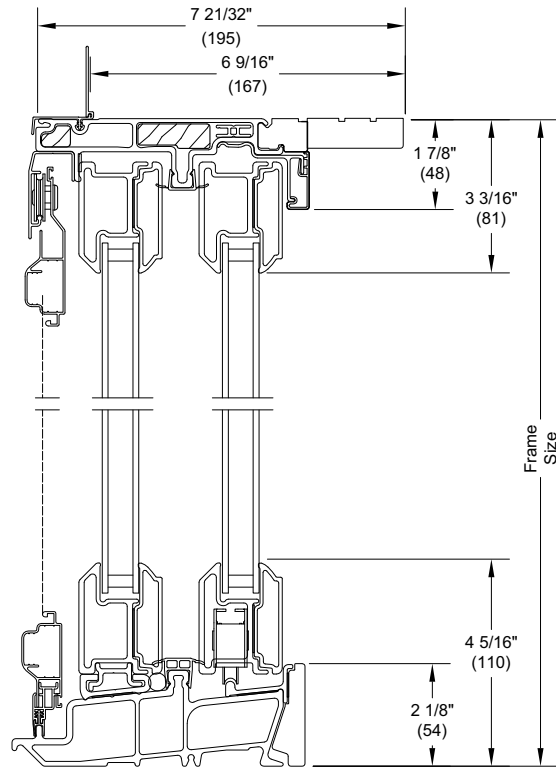
Unit Measurements: 3 Panel Configuration		Width			Height	
From	To		in	mm	in	mm
Rough Opening			in	mm	in	mm
Masonry Opening	Rough Opening		+ 1/2	(13)	+ 1/4	(6)
OM of Frame	Rough Opening		+ 1	(25)	+ 1/2	(13)
Daylight Opening	Rough Opening		+ 14 1/2	(368)	+ 7 31/32	(202)
Operating Panel			in	mm	in	mm
OM of Frame	OM of Panel		+ 1/8	(3)	-2 27/32	-(72)
Daylight Opening	OM of Panel		+ 4 5/8	(117)	+ 4 5/8	(117)
Glass			in	mm	in	mm
OM of Frame	Glass		-3 1/4	-(83)	-6 17/64	-(159)
Daylight Opening	Glass		+ 1 1/4	(32)	+ 1 3/16	(30)
Screen			in	mm	in	mm
OM of Frame	OM of Screen		-5/16	-(8)	-2 29/64	-(62)
Daylight Opening	OM of Screen		+ 4 3/16	(106)	+ 5 1/64	(127)

Section Details: 2 Panel - Operating

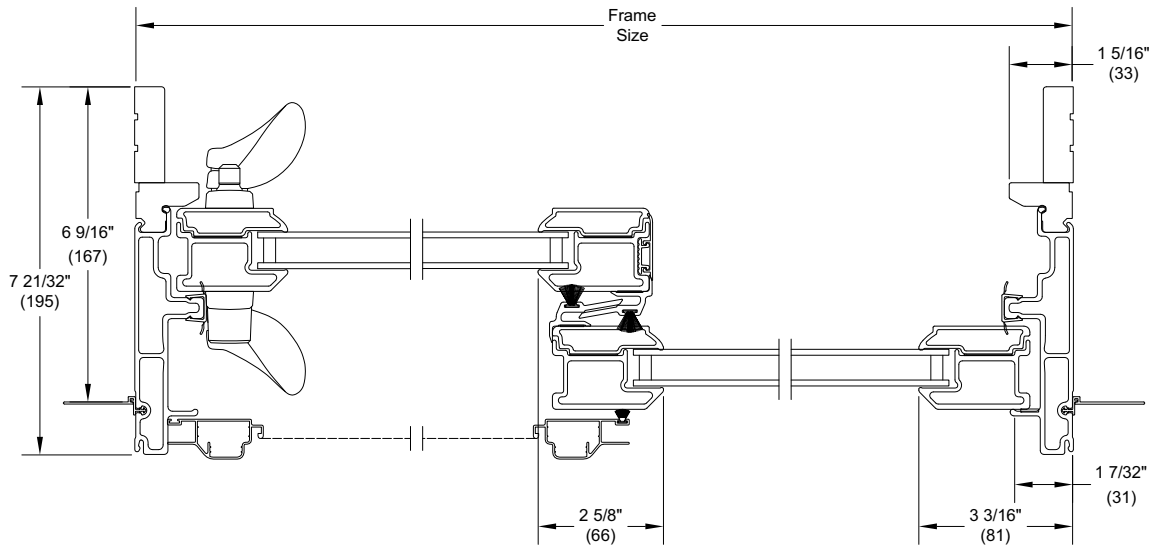
Scale: 3" = 1' 0"



4 9/16" Jamb



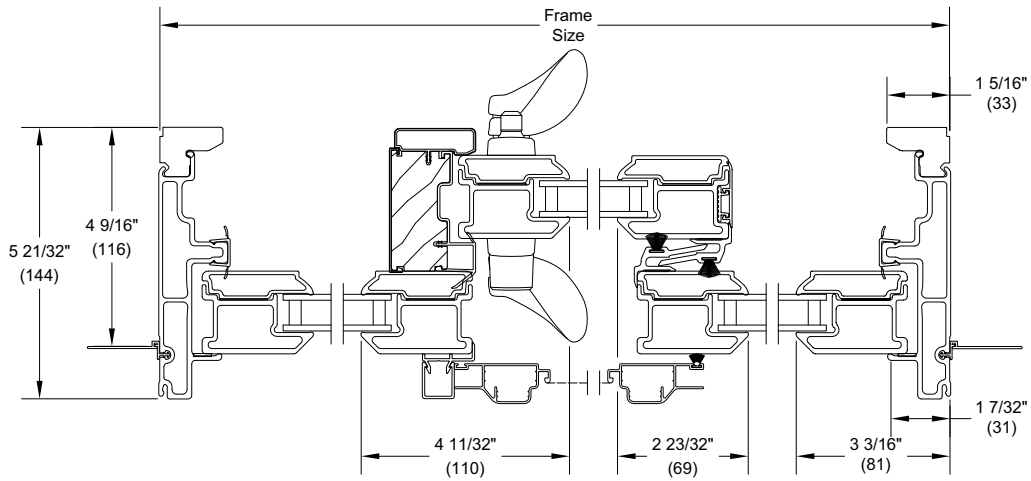
6 9/16" Jamb



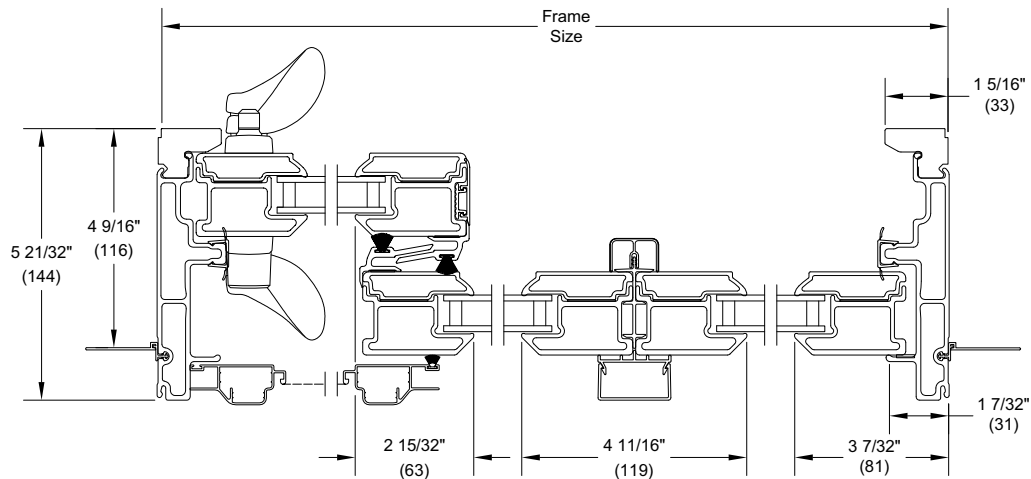
2-Panel XO - Jamb

Section Details: 3 Panel - Operating with 4 9/16" Jamb

Scale: 3" = 1' 0"



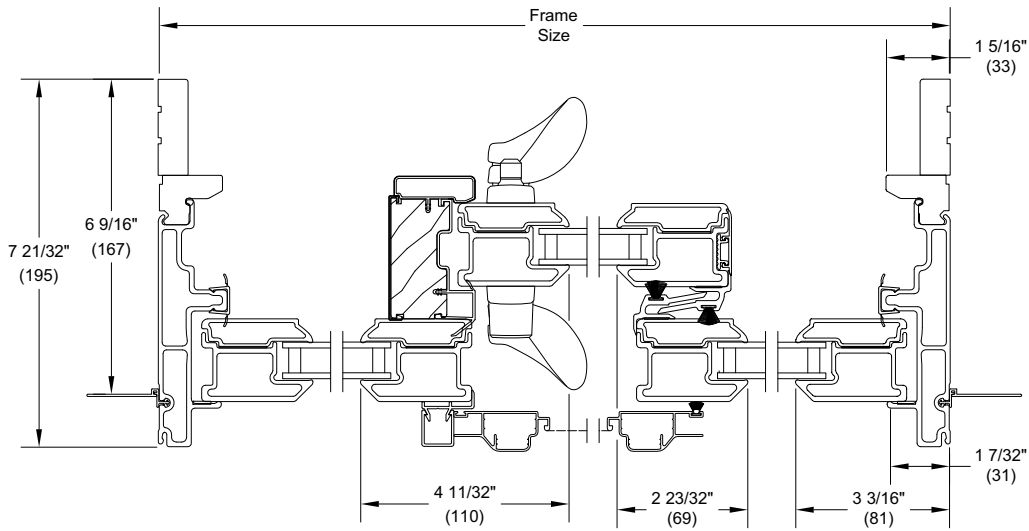
3-Panel OXO-Jamb



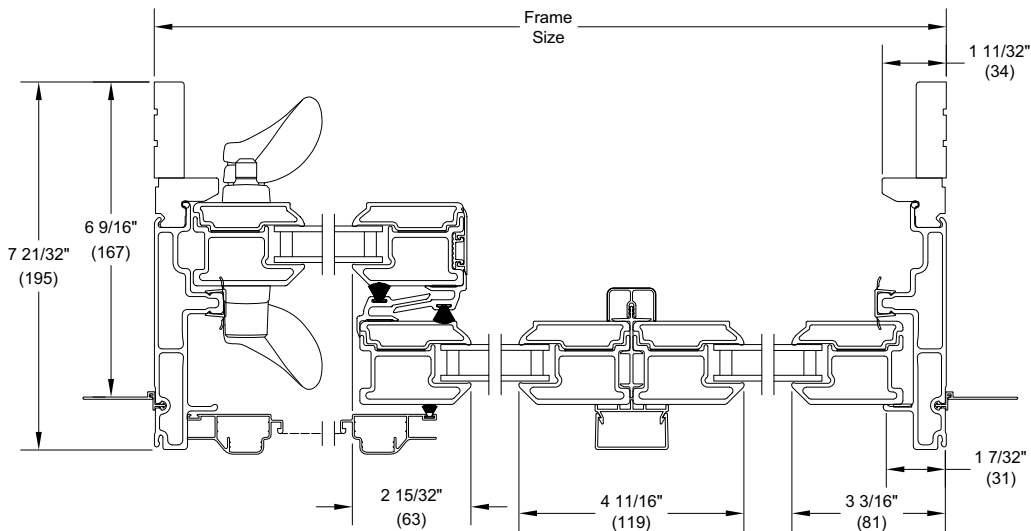
3-Panel XO0 - Jamb

Section Details: 3 Panel - Operating with 6 9/16" Jamb

Scale: 3" = 1' 0"



3-Panel OXO - Jamb



3-Panel OOX/XOO - Jamb