

# Infinity Glider

Unit Features.....	1
Lite Options .....	3
Minimum and Maximum Guidelines .....	4
Certified Sizes and Ratings .....	5
STC/OITC Glass Values .....	6
Measurement Conversions: Equal Sash Units.....	7
Measurement Conversions: Triple Sash and Picture/Transom Units.....	8
Measurement Conversions: Egress .....	9
Section Details: Operating - Equal Sash.....	10
Section Details: Operating - Triple Sash .....	11
Section Details: Picture/Transom Unit.....	12
Section Details: Casing Option.....	13
Section Details: Mullion .....	14
Interior Frame Accessories .....	15



## Infinity Glider

### Unit Features

Infinity Glider (OX/OX): NGL

Infinity Glider (XOX): NGLTS

Infinity Glider Picture/Transom: NGLP

Infinity Glider Transom: NGLTR

#### Ultrex® Pultruded Fiberglass Frame:

- Frame thickness: 31/32" (25) head jamb, 31/32" (25), side jamb, 25/32" (20) sill
- Flat bottom sill with 8° bevel
- Frame depth: 2 7/8" (73)
- Exterior colors: Stone White, Sierra, Cashmere, Pebble Gray, Bahama Brown, Bronze
- Interior colors: Stone White, Sierra, EverWood™

#### Ultrex® Pultruded Fiberglass Sash:

- Sash thickness: 1 3/8" (35)
- Different sash option allows unequal sash widths, unique lite cuts for each sash or different glazing in each sash
- Operating sash is removable for cleaning
- Sash are replaceable but cannot be re-glazed
- Exterior colors: Stone White, Sierra, Cashmere, Pebble Gray, Bahama Brown, Bronze
- Interior colors: Stone White, Sierra, EverWood™

#### Hardware:

- Lock and keeper:
  - Zinc die-cast
  - One sash lock on units up to 48" (1219) in height, two locks on units 48" (1219) and greater
- Rollers:
  - Roller housing is 10% glass filled nylon, roller is made up of an Acetal resin, axle is stainless steel, and roller bearing are nickel plated steel
  - Two roller assemblies are mechanically attached in routes in the bottom rail of the operator sash, four inches from each end.
  - Sash greater then 36 13/32" (924) receive a third roller assembly, centered along bottom rail
- Pull:
  - Zinc die-cast
  - Units are pre-drilled at factory
- Optional factory-applied Window Opening Control Device
  - Available on all operable units
  - Color: White, Sierra, and Satin Taupe
  - This device works in accordance to ASMT F2090-10 standard specification for window fall prevention devices with emergency escape
  - System consisting of an acetal lever housed in an acetal shell on lower meeting stile of the operating sash and a stop on the lower rail of the stationary sash

#### Weather Strip:

- Frame:
  - Combination hollow vinyl bulb and flexible wand
  - Color: white or beige
- Sill:
  - Foam filled bulb
  - Rigid HDPE bumps surround for easy operation and tear resistance
- Stationary meeting stile:
  - Weather strip interlock to seal against operating meeting stile
  - Color: beige
- Stationary units:
  - Continuous foam weather strip at perimeter of sash
  - Color of interior weatherstrip system: white or beige

## **Insect Screens:**

- Factory installed
- Half screen to cover operable sash
- Frame color: to match unit exterior frame color
- Standard screen mesh material: charcoal fiberglass
- Optional screen mesh material: high transparency
- Mitered color matched injection molded corner keys are visible
- Pull tabs are integrated into the side of the screen

## **Glass:**

- Glazing seal: silicone bedding on interior and exterior
- Standard glass: Low E2 Argon or air
- Optional glazing: Low E1 Argon or air, Low E3 Argon or air, or Low E3/ERS Argon or air, tempered, obscure
- Decorative glass options include Glue Chip, Rain, Reed, Narrow Reed, or Frost
- Decorative glass is not available with Low E1, Low E3/ERS, or STC/OITC
- Rain, Reed and Narrow Reed not available with SDL
- SDL available on Frost, annealed or tempered glass
- SDL available on Glue Chip, tempered glass required
- Insulating glass will be altitude adjusted with capillary tubes for higher elevations
- Argon gas is not available for elevations that require capillary tubes

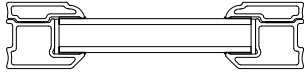
## **Simulated Divided Lites (SDL):**

- 7/8" (22) or 1 1/8" (29) SDL bar (interior and exterior)
- 2 11/32" (30) simulated rail (interior and exterior) - picture unit only
- Exterior color: matched to unit exterior
- Interior color: matched to interior - ABS material
- Pattern: equal rectangular, cottage, prairie, check rail

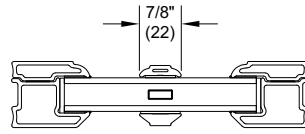
## **Gilles-Between-the-Glass (GBG):**

- 23/32" (18) or 1" (25) contoured aluminum bar
- Exterior: color matched to unit exterior
- The exterior GBG color is designed to best match the unit exterior color when used with Low E glass. The use of different types of glazing options may alter the exterior GBG color appearance.
- Interior color: White, Satin Taupe, Sierra, Bronze
- Pattern: equal rectangular, cottage, prairie, check rail
- GBG may not be available or may require tempered glass if the glass size is greater than 16 square feet or if the short side dimension is greater than 48". Please contact your local Infinity Retailer or Infinity Support at 800-372-1072 to determine if GBG is available for glass sizes exceeding these dimensions.

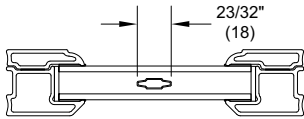
Lite Options



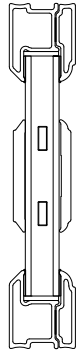
Insulating Glass



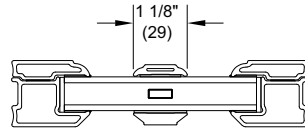
Insulating Glass  
7/8" SDL w/ spacer bar



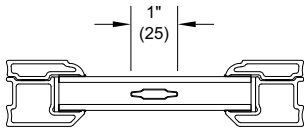
Insulating Glass  
23/32" GBG



Insulating Glass  
SDL Simulated Rail  
w/spacer bar



Insulating Glass  
1 1/8" SDL w/ spacer bar



Insulating Glass  
1" GBG

**Minimum and Maximum Guidelines**

Minimum and Maximum Frame Size Guidelines												
Unit Type	Frame Size								Glass Limits Operator		Glass Limits Stationary	
	Min Width		Min Height		Max Width		Max Height		Sq. Feet	Sq. Meters	Sq. Feet	Sq. Meters
	in	mm	in	mm	in	mm	in	mm				
Glider	25 5/8	(651)	14 1/2	(368)	96	(2438)	72	(1829)	21 3/16	1.970	29 29/32	2.780
Triple Sash	49 3/16	(1249)	14 1/2	(368)	144	(3658)	72	(1829)	21 7/16	1.991	29 29/32	2.780
Glider Picture	14 3/8	(365)	14 5/16	(364)	72	(1829)	72	(1829)	N/A		30	2.787
Glider Transom	14 3/8	(365)	14 5/16	(364)	72	(1829)	72	(1829)	N/A		30	2.787

Sash Ratio Guidelines									
Unit Type	Operating				Stationary				Maximum Sash Ratio
	Minimum		Maximum		Minimum		Maximum		
XO/OX Unit	12 19/32	(320)	47 13/16	(1214)	12 3/16	(310)	66	(1676)	1/2
XOX Unit	12 19/32	(320)	48 5/16	(1227)	12 3/16	(310)	66	(1676)	1/3

*NOTE: For Glue Chip, Frost, and Rain, maximum short frame side for NGLP/NGLTR is 63 1/4".*

*For Glue Chip, Frost, and Rain, maximum short frame for NGL/NGLTs (stationary sash) is 61 1/8".*

*For Reed and Narrow Reed, vertical pattern orientation maximum frame width size for NGLP/NGLTR is 63 1/4".*

*For Reed and Narrow Reed, vertical pattern orientation maximum frame width size for NGL/NGLTs (stationary sash) is 61 1/8".*

*For Reed and Narrow Reed, horizontal pattern orientation maximum frame height of 63 1/4".*

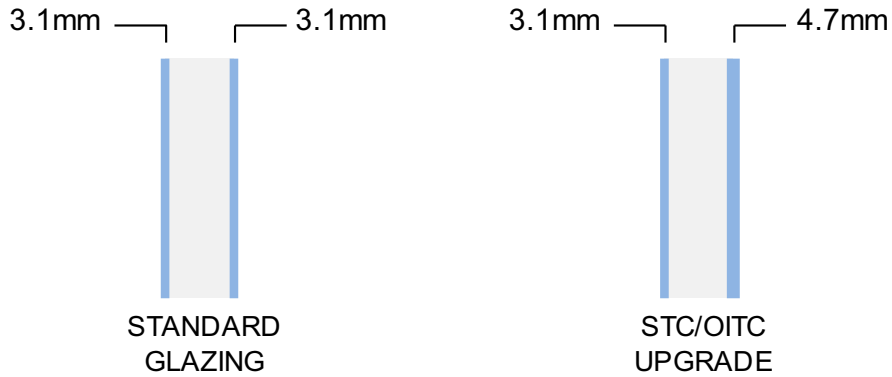
*Tempered glass may be required if the glass size is greater than 23 square feet. Please contact your local Infinity Retailer or Infinity Support at 800-372-1072 to determine available glass options on units exceeding this size.*

**Certified Sizes and Ratings**

Product	Air Tested to psf	Water Tested to psf	Design Pressure (DP)	Certification Rating	Max Overall Width		Max Overall Height	
					in	mm	in	mm
Infinity Glider Unequal	1.57	4.5	20	R-PG20-HS	96 13/64	(2444)	72 7/64	(1832)
Infinity Glider Unequal	1.57	4.5	30	LC-PG30-HS	72 13/64	(1834)	60 7/64	(1527)
Infinity Glider Equal	1.57	4.5	20	R-PG20-HS	96 13/64	(2444)	72 7/64	(1832)
Infinity Glider Equal	1.57	4.5	30	LC-PG30-HS	72 13/64	(1834)	60 7/64	(1527)
Infinity Triple Sash Glider	1.57	3.75	20	R-PG20-HS	144 13/64	(3663)	48 7/64	(1222)
Infinity Triple Sash Glider	1.57	3.75	15	R-PG15-HS	144 13/64	(3663)	72 7/64	(1832)
Infinity Triple Sash Glider	1.57	4.5	30	LC-PG30-HS	115 13/64	(2926)	60 7/64	(1527)

**STC/OITC Glass Values**

This glazing option incorporates 3.1mm/4.7mm variable thickness glass to increase STC/OITC performance and improve sound abatement. Infinity's STC/OITC upgrade includes third party ASTM ratings and reports. STC/OITC ratings for this option and for standard 3.1mm/3.1mm insulating glass are shown in the attached chart.



Product Type	Exterior Glazing	Airspace	Interior Glazing	STC	OITC
Full Frame Glider	1/8" (3.1)	15/32" (11.5)	1/8" (3.1)	28	24
	1/8" (3.1)	13/32" (9.8)	3/16" (4.7)	32	28



**Measurement Conversions: Equal Sash Units**

Full Frame Glider						
Unit Measurements		Width			Height	
From	To		in	mm	in	mm
<b>Rough Opening</b>						
Masonry Opening	Rough Opening		+ 1/2	(13)	+ 1/4	(6)
Masonry Opening w/BMC	Rough Opening		-2 1/4	(57)	-1 11/16	(43)
OM of Frame	Rough Opening		+ 1	(25)	+ 1/2	(13)
Daylight Opening	Rough Opening	× 2	+ 8 11/16	(221)	+ 6 1/32	(154)
<b>Frame</b>						
OM of BMC	OM of Frame		-2 3/4	(70)	-2 1/16	(52)
Daylight Opening	OM of Frame	× 2	+ 7 11/16	(195)	+ 5 9/16	(141)
<b>Operating Sash</b>						
OM of Frame	OM of Operating Sash	+ 2	-3/16	(4)	-2 9/32	(58)
Daylight Opening	OM of Operating Sash		+ 3 21/32	(93)	+ 3 1/4	(83)
<b>Stationary Sash</b>						
OM of Frame	OM of Stationary Sash	+ 2	-19/32	(15)	-2 9/32	(58)
Daylight Opening	OM of Stationary Sash		+ 3 1/4	(83)	+ 3 1/4	(83)
<b>Glass</b>						
Daylight Opening	Glass		+ 1 1/16	(27)	+ 1 1/16	(27)
<b>Screen</b>						
OM of Frame	OM of Screen	+ 2	-2 3/32	(53)	-2 5/32	(55)
Daylight Opening	OM of Screen		+ 1 3/4	(44)	+ 3 13/32	(86)

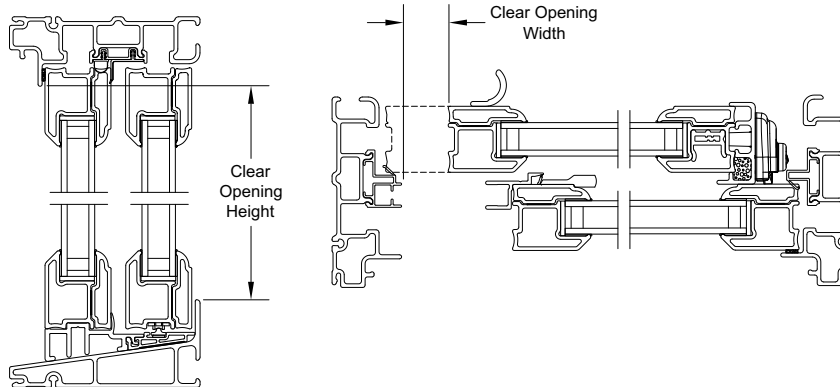
**Measurement Conversions: Triple Sash and Picture/Transom Units**

Full Frame Triple Sash Glider (1:2:1)						
Unit Measurements		Width			Height	
From	To		in	mm	in	mm
<b>Rough Opening</b>			in	mm	in	mm
Masonry Opening	Rough Opening		+ 1/2	(13)	+ 1/4	(6)
Masonry Opening w/BMC	Rough Opening		-2 1/4	(57)	-1 11/16	(43)
OM of Frame	Rough Opening		+ 1	(25)	+ 1/2	(13)
Daylight Opening (Oper)	Rough Opening	x 4	+ 14 5/16	(363)	+ 6 1/32	(154)
<b>Frame</b>			in	mm	in	mm
OM of BMC	OM of Frame		-2 3/4	(70)	-2 1/16	(52)
Daylight Opening (Oper)	OM of Frame	x 4	+ 13 5/16	(338)	+ 5 9/16	(141)
<b>Operating Sash</b>			in	mm	in	mm
OM of Frame	OM of Operating Sash	+ 4	+ 11/32	(-8)	-2 9/32	(58)
Daylight Opening	OM of Operating Sash		+ 3 21/32	(93)	+ 3 1/4	(83)
<b>Stationary Sash</b>			in	mm	in	mm
OM of Frame	OM of Stationary Sash	+ 2	-5/32	(4)	-2 9/32	(58)
Daylight Opening	OM of Stationary Sash		+ 3 1/4	(83)	+ 3 1/4	(83)
<b>Glass</b>			in	mm	in	mm
Daylight Opening	Glass		+ 1 1/16	(27)	+ 1 1/16	(27)
<b>Screen</b>			in	mm	in	mm
OM of Frame	OM of Screen	+ 4	-1 9/16	(40)	-2 5/32	(55)
Daylight Opening	OM of Screen		+ 1 3/4	(44)	+ 3 13/32	(86)

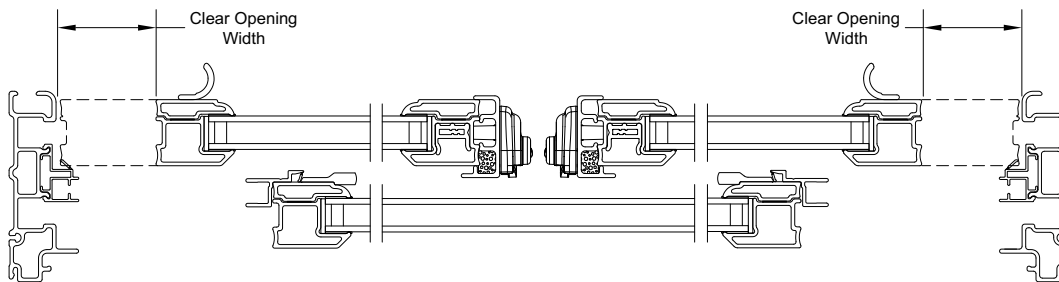
Full Frame Glider Picture/Transom						
Unit Measurements		Width			Height	
From	To		in	mm	in	mm
<b>Rough Opening</b>			in	mm	in	mm
OM of Frame	Rough Opening		+ 1	(25)	+ 1/2	(13)
Masonry Opening	Rough Opening		+ 1/2	(13)	+ 1/4	(6)
<b>Frame</b>			in	mm	in	mm
Daylight Opening	OM of Frame		+ 5 13/32	(137)	+ 5 11/32	(136)
<b>Sash</b>			in	mm	in	mm
OM of Frame	OM of Sash		-2 5/32	(54)	-2 3/32	(53)
Daylight Opening	OM of Sash		+ 3 1/4	(83)	+ 3 1/4	(83)
<b>Glass</b>			in	mm	in	mm
Daylight Opening	Glass		+ 1 1/16	(27)	+ 1 1/16	(27)

Measurement Conversions: Egress

Egress Conversions		
Equal Sash Egress Minimum Opening and Conversions from Frame Size		
Minimum Value for Net Clear Opening	Desired Dimension	Formula
20 in	Egress opening width, in	= (NGL frame OM width / 2) - 3.803
24 in	Egress opening height, in	= NGL frame OM height - 3.273
5.7 ft <sup>2</sup>	Egress opening area, ft <sup>2</sup>	= ((Egress opening width, in) x (Egress opening height, in)) / 144



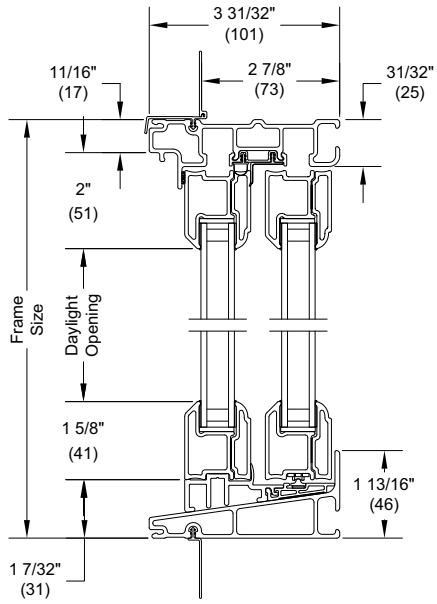
Egress Conversions			
Triple Sash Egress Minimum Opening and Conversions from Frame Size			
Minimum Value for Net Clear Opening	Desired Dimension	Configurations	Formula
20 in	Egress opening width, in	1/4, 1/2, 1/4	= (NGLTS frame OM width / 4) - 2.722
20 in	Egress opening width, in	1/3, 1/3, 1/3	= (NGLTS frame OM width) / 3 - 4.937
20 in	Egress opening width, in	Custom Ratio	contact Infinity Support to Confirm Egress
24 in	Egress opening height, in	-	= NGLTS frame OM height - 3.273
5.7 ft <sup>2</sup>	Egress opening area, ft <sup>2</sup>	-	= ((Egress opening width, in) x (Egress opening height, in)) / 144



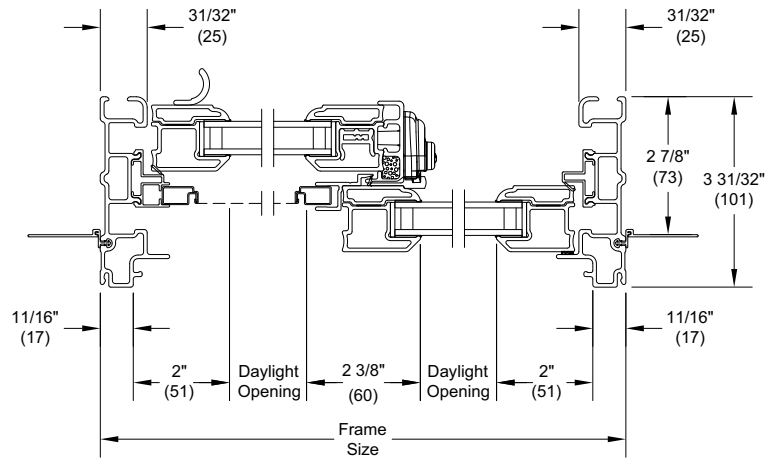
**NOTE:** Must meet/exceed all three minimum values to meet egress. Limited travel may affect egress opening width.  
For 1/3, 1/3, 1/3 configuration, egress formula requires that only one sash can be open at a time and sash stop in header is allowed to float.

**Section Details: Operating - Equal Sash**

Scale: 3" = 1' 0"



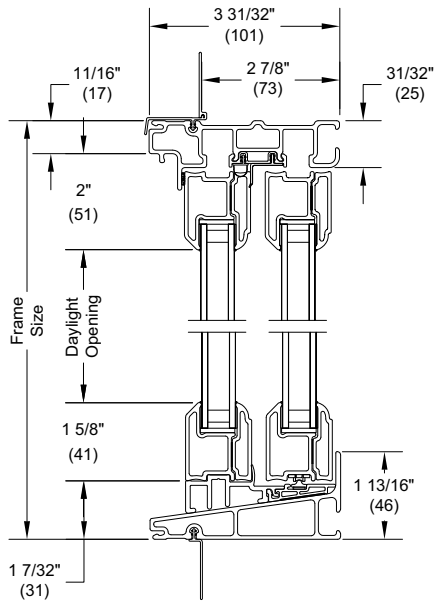
Head Jamb and Sill



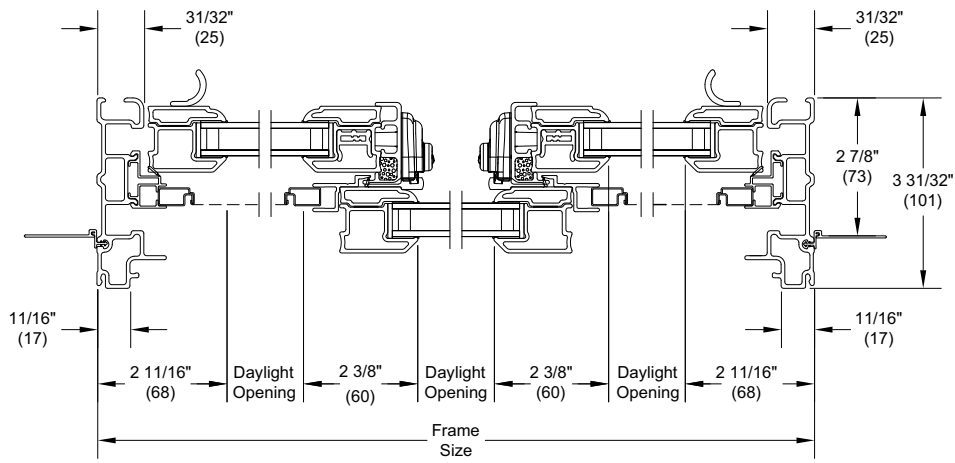
Jamb

Section Details: Operating - Triple Sash

Scale: 3" = 1' 0"



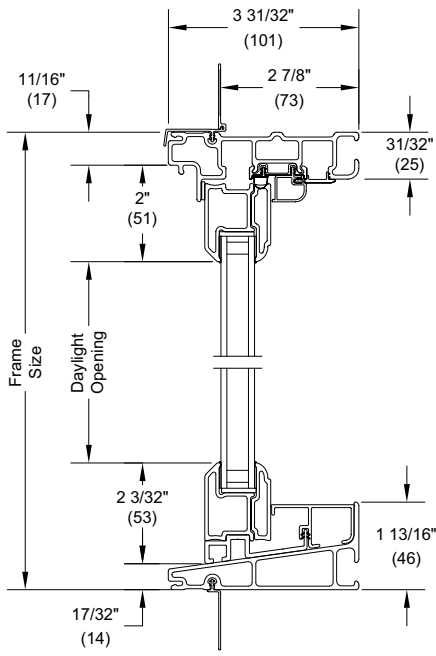
Head Jamb and Sill



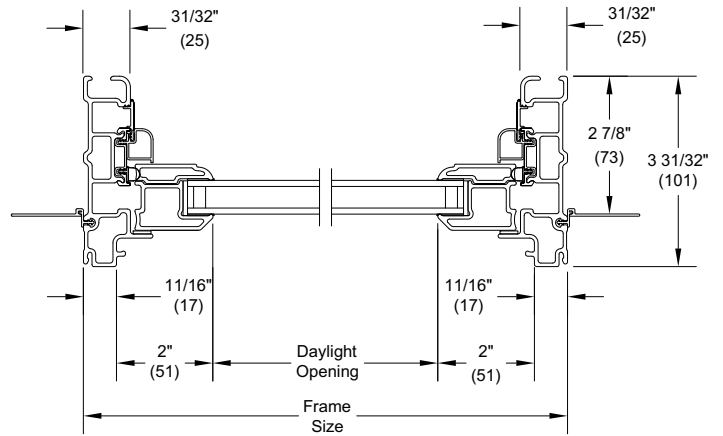
Jamb

Section Details: Picture/Transom Unit

Scale: 3" = 1' 0"



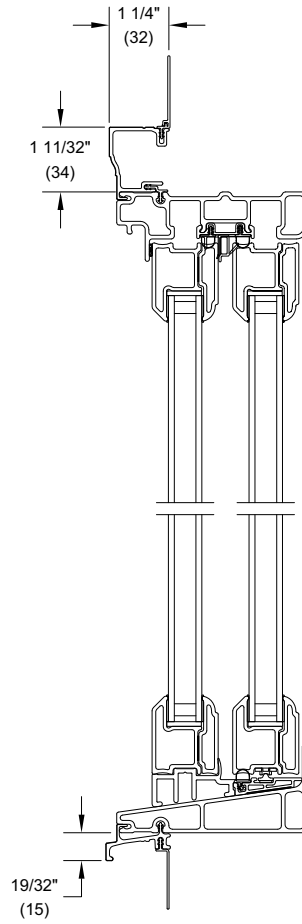
Head Jamb and Sill



Jamb

Section Details: Casing Option

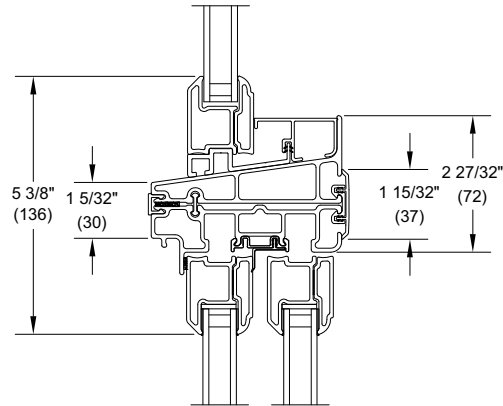
Scale: 3" = 1' 0"



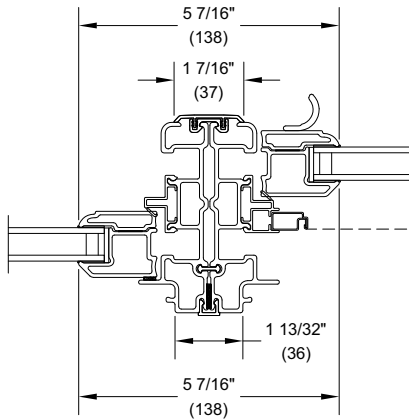
Brick Mould Casing

**Section Details: Mullion**

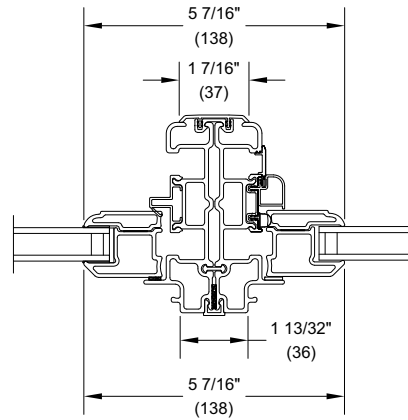
Scale: 3" = 1' 0"



Transom mullied over  
Infinity Glider



Vertical  
Mullion-Operator/Operator



Vertical  
Mullion-Operator/Picture



Interior Frame Accessories

Scale: 3" = 1' 0"

