

Integrity® from Marvin® Outswing French Door

Unit Features.....	1
Lite Options	3
Divided Lite Options	4
Minimum and Maximum Guidelines	5
Certified Sizes and Ratings	6
STC/OITC Glass Values	7
Standard Unit Measurements.....	8
Net Clear Opening.....	9
Measurement Conversions and Egress Conversion	10
Section Details: Single Panel with 4 9/16" Jambs	11
Section Details: 2 panel - XX Configuration with 4 9/16" Jambs	12
Section Details: Stationary Panel with 4 9/16" Jambs	13
Section Details: Single Panel with 6 9/16" Jambs	14
Section Details: 2 panel - XX Configuration with 6 9/16" Jambs	15
Section Details: Stationary Panel with 6 9/16" Jambs.....	16

Integrity® From Marvin® Outswing French Door

Unit Features

Integrity Outswing French Door: IOFD

Frame:

- Frame thickness: 1 11/32" (36)
- Frame depth: 4 9/16" (116)
- Frame exterior: Ultrex® pultruded fiberglass
 - Color: Stone White, Pebble Gray, Bronze, Evergreen, Cashmere, or Ebony
- Frame interior: Pine
 - Option: factory applied white interior finish

Panel:

- Panel thickness: 1 3/4" (44)
- Top rail and stiles: 3 5/8" (92)
- Bottom rail: 6" (152)
- Panel exterior: Ultrex® pultruded fiberglass
 - Color: Stone White, Pebble Gray, Bronze, Evergreen, Cashmere, or Ebony
- Panel interior: Pine
 - Option: factory applied white interior finish

Jamb Extension:

- 6 9/16" (167) or 6 13/16" (173) jamb extension - factory-applied or shipped loose
- Assemblies with jamb extensions - add 1/4" (6) to width and 1/8" (3) to height of rough opening

Hardware:

- Multi-point locking system:
 - Stainless steel passage latch, head and foot bolt operated from lever set
 - Top and bottom shoot bolt are operated by the handle set
 - Handle set: interior and exterior handles are selected separately
 - Finish: Almond Frost, White, Bright Brass PVD, Satin Nickel PVD, Oil Rubbed Bronze PVD
- Hinges:
 - 4" (101) butt hinges that contain horizontal and vertical adjustment and non-removable pin
 - Three hinges on all units.
 - Finish: Powder Coated: White, Dark Brown, Evergreen, Pebble Gray, Cashmere, Grey, Gold, Almond Frost, Ebony, Oil Rubbed Bronze (PVD), Brass (PVD), Satin Nickel (PVD).

Weather Strip:

- All units are constructed with weather strip at all panel perimeter joints
- Jambs, head jamb, astragal, and mull post utilize a bulb style type weather strip
- Santoprene sill weather strip to seal against the bottom rail and panel drip
- Bottom rail utilizes a rigid panel drip
- Color: beige or black

Glass:

- Glazing seal: silicone bedding on interior and exterior
- Standard glass is insulating Low E2 tempered with Argon or air
- Optional glazing available: Low E1 tempered with Argon or air, Low E3 tempered with Argon or air
- Insulating glass will be altitude adjusted with capillary tubes for higher elevations
- Argon gas is not available for elevations that require capillary tubes

Integrity® From Marvin® Outswing French Door

Unit Features

Removable Interior Grilles:

- Bar: 3/4" (19) Pine
- Pattern: standard rectangular pattern
- Available in bare Pine or factory applied white finish

Interior/Exterior Simulated Divided Lites (SDL):

- 7/8" (22) SDL bars
- Interior finish: bare Pine or factory applied white finish
- Exterior finish: matches exterior panel color
- Pattern: equal rectangular, prairie, cottage

Grilles-Between-the-Glass:

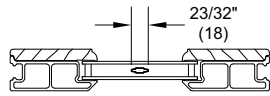
- 23/32" (18) contoured aluminum bars placed between two panes of insulating glass
 - Interior color: White or Bronze
 - Exterior color: determined by exterior frame color
- Pattern: equal rectangular, prairie, cottage

Exterior Casing:

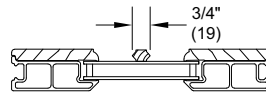
- Non-integral to the unit
- Fastened to the exterior wall with barb and kerf 2" (51) brick mold available as a header and jamb surround
- 3 1/2" (89) flat casing available as a header and jamb surround
- Available with 1" (25) ranch style header overhang

Integrity® From Marvin® Outswing French Door

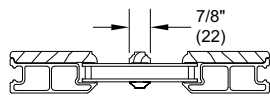
Lite Options



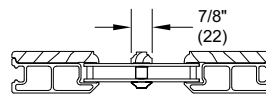
Aluminum Grille
Between Glass



Wood Removable Grille



Wood SDL
Without Spacer Bar



Wood SDL
With Spacer Bar

Integrity® From Marvin® Outswing French Door

Divided Lite Options

CN	Rectangular			Prairie		Cottage Lite Cuts
	Wood Grille	GBG or SDL		GBG	SDL	
1-Panel Outswing French Door per Panel						
2665	3W5H	3W5H	2W5H	9-Lite	9-Lite	4-Lite
2865	3W5H	3W5H	2W5H	9-Lite	9-Lite	4-Lite
3065	3W5H	3W5H	2W5H	9-Lite	9-Lite	4-Lite
2668	3W5H	3W5H	2W5H	9-Lite	9-Lite	4-Lite
2868	3W5H	3W5H	2W5H	9-Lite	9-Lite	4-Lite
3068	3W5H	3W5H	2W5H	9-Lite	9-Lite	4-Lite
2670	3W5H	3W5H	2W5H	9-Lite	9-Lite	4-Lite
2870	3W5H	3W5H	2W5H	9-Lite	9-Lite	4-Lite
3070	3W5H	3W5H	2W5H	9-Lite	9-Lite	4-Lite
2680	3W6H	3W6H	2W6H	9-Lite	9-Lite	4-Lite
2880	3W6H	3W6H	2W6H	9-Lite	9-Lite	4-Lite
3080	3W6H	3W6H	2W6H	9-Lite	9-Lite	4-Lite
2-Panel Outswing French Door per Panel						
5065	3W5H	3W5H	2W5H	9-Lite	9-Lite	4-Lite
5465	3W5H	3W5H	2W5H	9-Lite	9-Lite	4-Lite
6065	3W5H	3W5H	2W5H	9-Lite	9-Lite	4-Lite
5068	3W5H	3W5H	2W5H	9-Lite	9-Lite	4-Lite
5468	3W5H	3W5H	2W5H	9-Lite	9-Lite	4-Lite
6068	3W5H	3W5H	2W5H	9-Lite	9-Lite	4-Lite
5070	3W5H	3W5H	2W5H	9-Lite	9-Lite	4-Lite
5470	3W5H	3W5H	2W5H	9-Lite	9-Lite	4-Lite
6070	3W5H	3W5H	2W5H	9-Lite	9-Lite	4-Lite
5080	3W6H	3W6H	2W6H	9-Lite	9-Lite	4-Lite
5480	3W6H	3W6H	2W6H	9-Lite	9-Lite	4-Lite
6080	3W6H	3W6H	2W6H	9-Lite	9-Lite	4-Lite

Integrity® From Marvin® Outswing French Door

Minimum and Maximum Guidelines

Operator/Stationary Units								
Unit Type	Frame Size							
	Min Width		Min Height		Max Width		Max Height	
	in	mm	in	mm	in	mm	in	mm
1 - Panel Operator	30 5/16	(770)	79 1/2	(2019)	36 5/16	(922)	95 1/2	(2426)
2 - Panel Operator	59	(1499)	79 1/2	(2019)	71	(1803)	95 1/2	(2426)

NOTE: Special sizes are available in 1/64" (0.4) increments, not to exceed the minimum or maximum listed above

Integrity® From Marvin® Outswing French Door

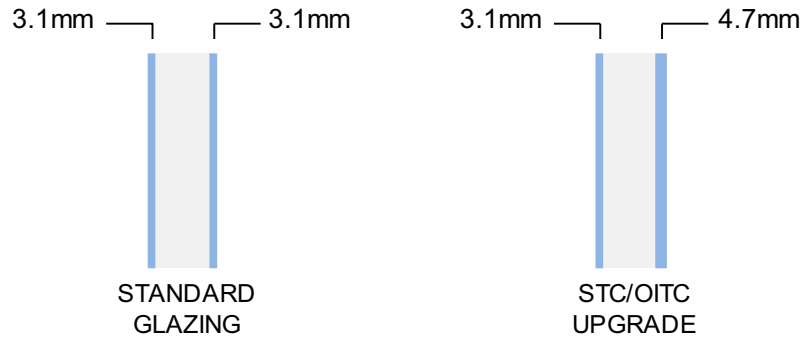
Certified Sizes and Ratings

Product	Air Tested to psf	Water Tested to psf	Design Pressure (DP)	Certification Rating	Max Overall Width		Max Overall Height	
					in	mm	in	mm
Integrity Outswing French Door (O)	1.57	7.50	50	LC-PG50-FD	36 5/16	(922)	95 1/2	(2426)
Integrity Outswing French Door (X)	1.57	7.50	50	LC-PG50-SHD	36 5/16	(922)	95 1/2	(2426)
Integrity Outswing French Door (XX)	1.57	7.50	50	LC-PG50-SHD	71	(1803)	95 1/2	(2426)

Integrity® From Marvin® Outswing French Door

STC/OITC Glass Values

This glazing option incorporates 3.1mm/4.7mm variable thickness glass to increase STC/OITC performance and improve sound abatement. Infinity's STC/OITC upgrade includes third party ASTM ratings and reports. STC/OITC ratings for this option and for standard 3.1mm/3.1mm insulating glass are shown in the attached chart.



Product Type	Exterior Glazing	Airspace	Interior Glazing	STC	OITC
Integrity Wood-Ultrex Outswing French Door	1/8" (3.1)	17/32" (13.0)	1/8" (3.1)	30	24
	1/8" (3.1)	15/32" (11.5)	3/16" (4.7)	32	27

Integrity® From Marvin® Outswing French Door

Standard Unit Measurements

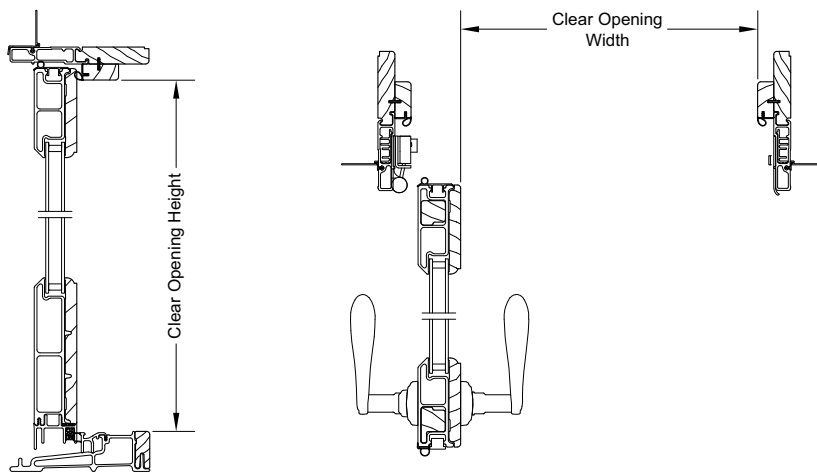
Standard Outswing Unit Measurements															
Width															
Unit Type	Call Number	Masonry Opening		Rough Opening		Frame Size		Panel OM		Daylight Opening		Standard Glass Size		Impact Glass Size	
		ft - in	mm	ft - in	mm	ft - in	mm	ft-in	mm	ft - in	mm	in	mm	in	mm
1 Panel	2-6	2-6 13/16	(783)	2-7 5/16	(796)	2-6 5/16	(770)	2-4 19/32	(726)	1-9 11/32	(542)	22 19/32	(574)	22 15/32	(571)
	2-8	2-8 13/16	(834)	2-9 5/16	(846)	2-8 5/16	(821)	2-6 19/32	(777)	1-11 11/32	(593)	24 19/32	(625)	24 15/32	(622)
	3-0	3-0 13/16	(935)	3-1 5/16	(948)	3-0 5/16	(923)	2-10 19/32	(879)	2-3 11/32	(695)	28 19/32	(726)	28 15/32	(723)
2 Panel	5-0	4-11 1/2	(1511)	5-0	(1524)	4-11	(1499)	2-4 19/32	(726)	1-9 11/32	(542)	22 19/32	(574)	22 15/32	(571)
	5-4	5-3 1/2	(1613)	5-4	(1626)	5-3	(1600)	2-6 19/32	(777)	1-11 11/32	(593)	24 19/32	(625)	24 15/32	(622)
	6-0	5-11 1/2	(1816)	6-0	(1829)	5-11	(1803)	2-10 19/32	(879)	2-3 11/32	(695)	28 19/32	(726)	28 15/32	(723)
Height															
Unit Type	Call Number	Masonry Opening		Rough Opening		Frame Size		Panel OM		Daylight Opening		Standard Glass Size		Impact Glass Size	
		ft - in	mm	ft - in	mm	ft - in	mm	ft-in	mm	ft - in	mm	in	mm	in	mm
All Configurations	6-5	6-7 3/4	(2026)	6-8	(2032)	6-7 1/2	(2019)	6-4 23/32	(1949)	5-7 3/32	(1704)	68 9/32	(1734)	68 5/32	(1731)
	6-8	6-10 1/4	(2089)	6-10 1/2	(2096)	6-10	(2083)	6-7 7/32	(2012)	5-9 19/32	(1768)	70 25/32	(1798)	70 21/32	(1795)
	7-0	7-2 1/4	(2191)	7-2 1/2	(2197)	7-2	(2184)	6-11 7/32	(2114)	6-1 19/32	(1869)	74 25/32	(1900)	74 21/32	(1897)
	8-0	7-11 3/4	(2432)	8-0	(2438)	7-11 1/2	(2426)	7-8 23/32	(2355)	6-11 3/32	(2111)	84 9/32	(2141)	84 5/32	(2138)

NOTE: For elevations, visit IntegrityWindows.com

Integrity® From Marvin® Outswing French Door

Net Clear Opening

Net Clear Opening Wood Ultrex Out-Swing French Door			
Width			
Unit Type	Call Number	Net Clear Openings	
		ft-in	mm
1 Panel Operator (X)	2-6	2-1 19/32	(650)
	2-8	2-3 19/32	(701)
	3-0	2-7 19/32	(802)
2 Panel Operator (XX)	5-0	4-4 7/32	(1326)
	5-4	4-8 7/32	(1428)
	6-0	5-4 7/32	(1631)
Height			
Unit Type	Call Number	Net Clear Openings	
		ft - in	mm
1 Panel (X) and 2 Panel (XX) Configurations	6-5	6-4 9/16	(1944)
	6-8	6-7 1/16	(2008)
	7-0	6-11 1/16	(2109)
	8-0	7-8 9/16	(2351)



Integrity® From Marvin® Outswing French Door

Measurement Conversions and Egress Conversion

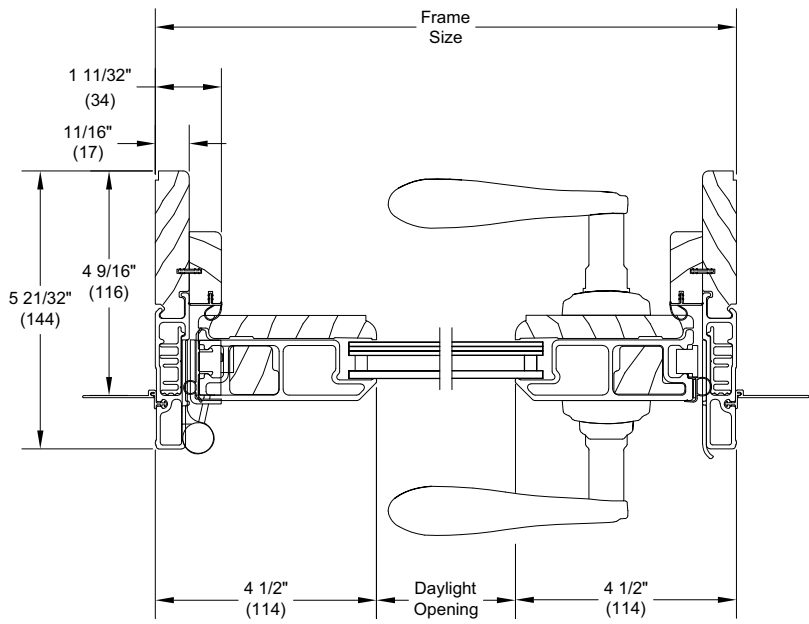
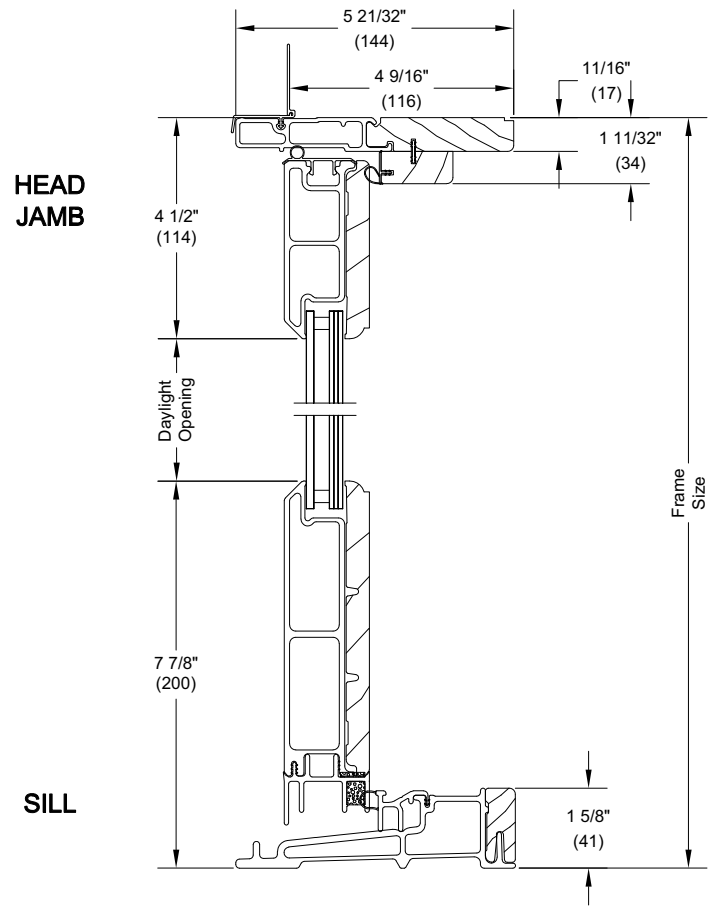
Unit Measurements - Stationary and Operating Panels		Width 1W		Width 2W		Height		
From	To							
Frame		in	mm		in	mm	in	mm
Masonry Opening	Rough Opening	+ 1/2	(13)		+ 1/2	(13)	+ 1/4	(6)
Masonry Opening w/BMC	Rough Opening	+ 1/2	(13)		+ 1/2	(13)	+ 1/4	(6)
OM of Frame	Rough Opening	+ 1	(25)		+ 1	(25)	+ 1/2	(13)
Daylight Opening	Rough Opening	+ 9 31/32	(253)	× 2	+ 17 5/16	(440)	+ 12 29/32	(328)
Panel		in	mm		in	mm	in	mm
OM of Frame	OM of Panel	-1 23/32	(44)	+ 2	-29/32	(23)	-2 25/32	(71)
Daylight Opening	OM of Panel	+ 7 1/4	(184)		+ 7 1/4	(184)	+ 9 5/8	(244)
Glass		in	mm		in	mm	in	mm
Daylight Opening	Glass	+ 1 1/4	(32)		+ 1 1/4	(32)	+ 1 3/16	(30)

Egress Conversions		
Standard Outswing French Door		
Minimum Value for Net Clear Opening	Desired Dimension	Formula
32"	Egress opening width, in	1 Panel Door
		= IOFD Frame Width - 4.738
		2 Panel Door (XX)
		= IOFD Frame Width - 6.788
78" (IRC 2012) 80" (IBC 2012)	Egress opening height, in	= IOFD Frame Height - 2.952

Integrity® From Marvin® Outswing French Door

Section Details: Single Panel with 4 9/16" Jamb

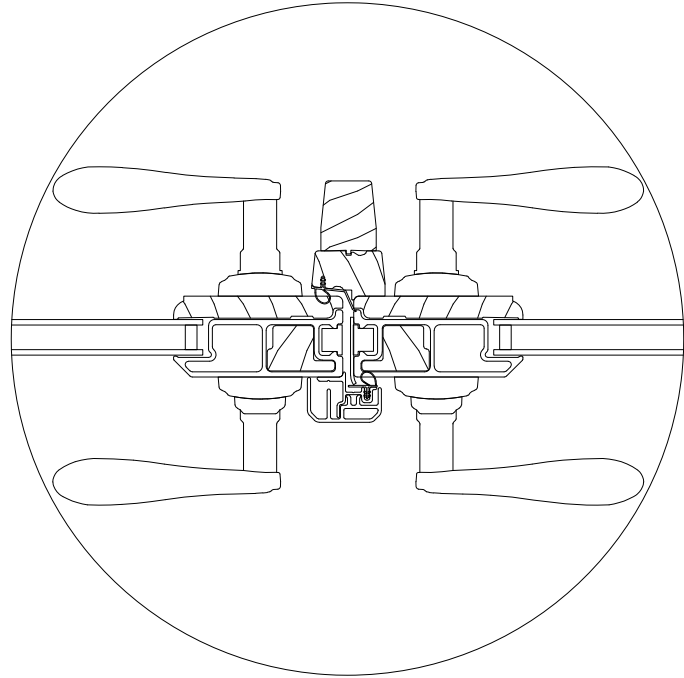
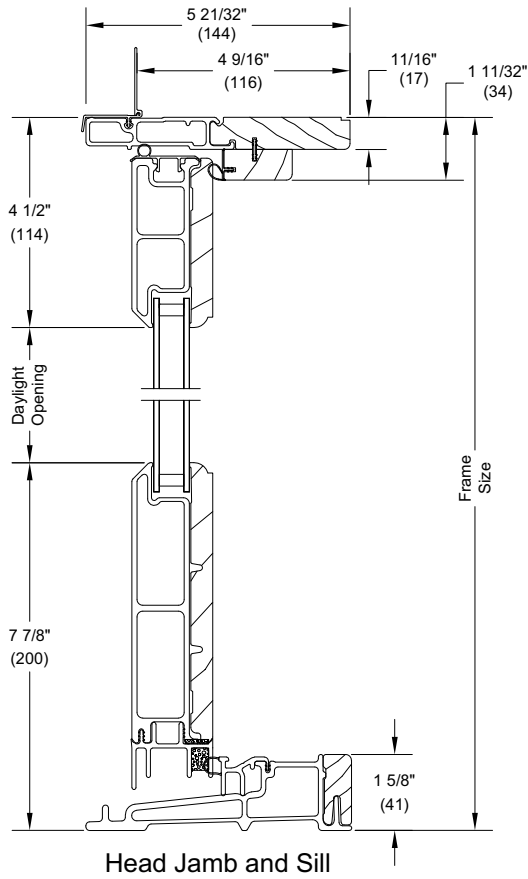
Scale: 3" = 1' 0"



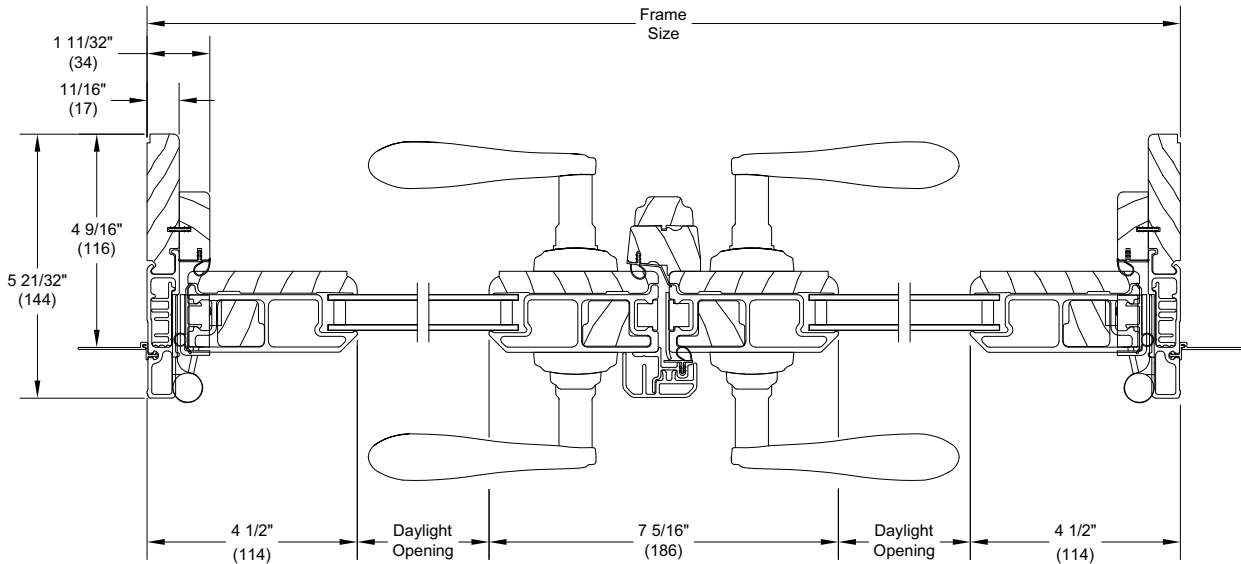
Integrity® From Marvin® Outswing French Door

Section Details: 2 panel - XX Configuration with 4 9/16" Jamb

Scale: 3" = 1' 0"



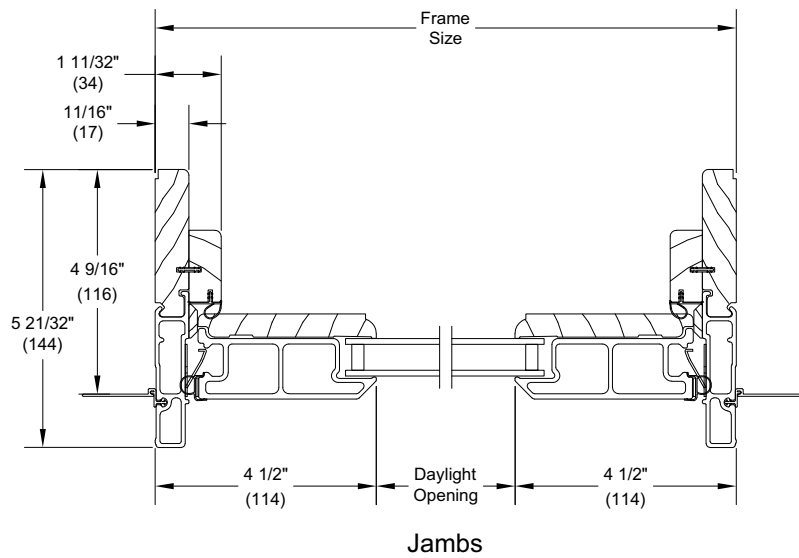
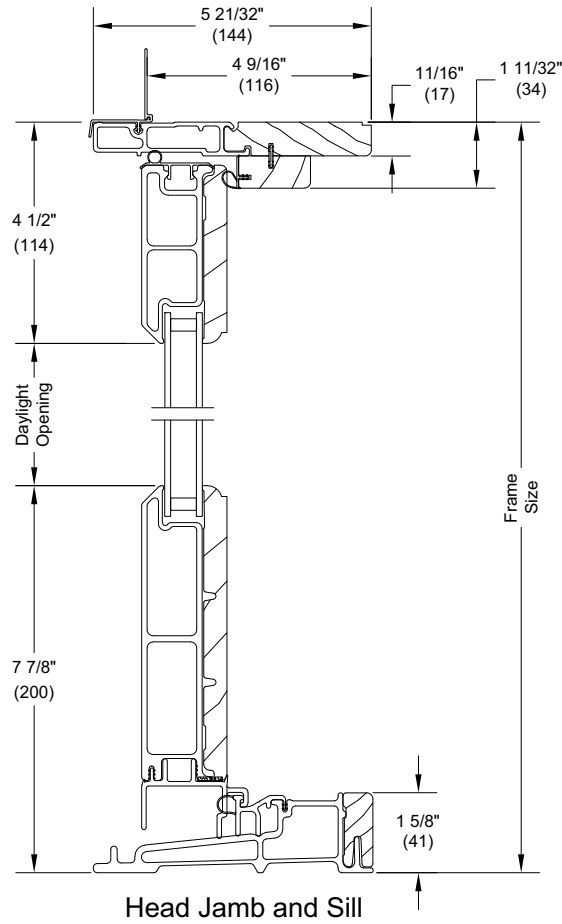
W9608 Astragal
 For Heights Over 6-8



Integrity® From Marvin® Outswing French Door

Section Details: Stationary Panel with 4 9/16" Jamb

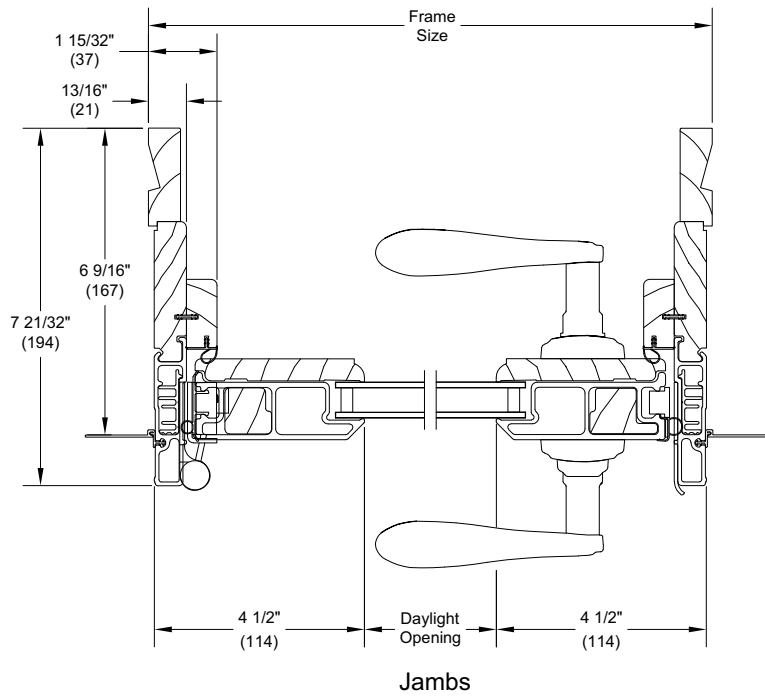
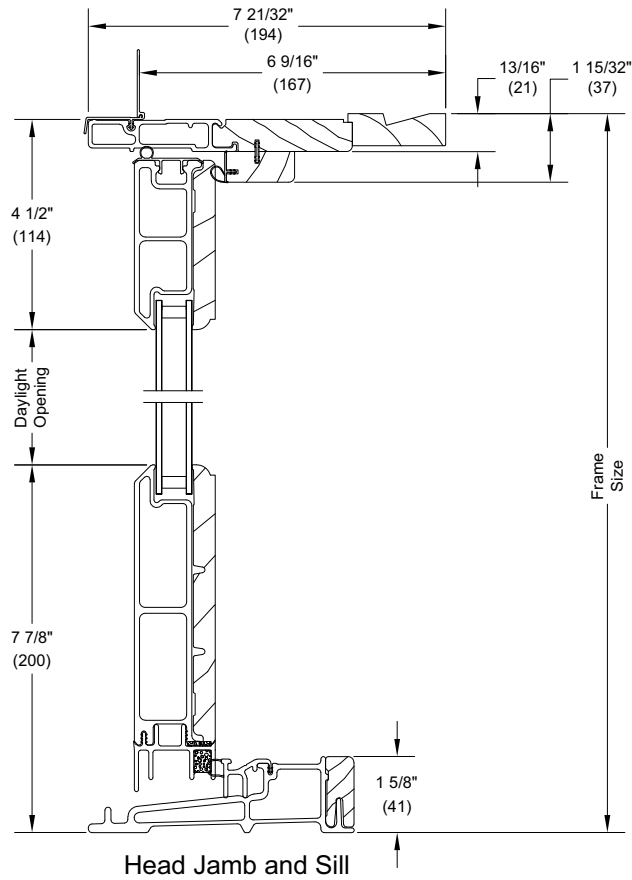
Scale: 3" = 1' 0"



Integrity® From Marvin® Outswing French Door

Section Details: Single Panel with 6 9/16" Jamb

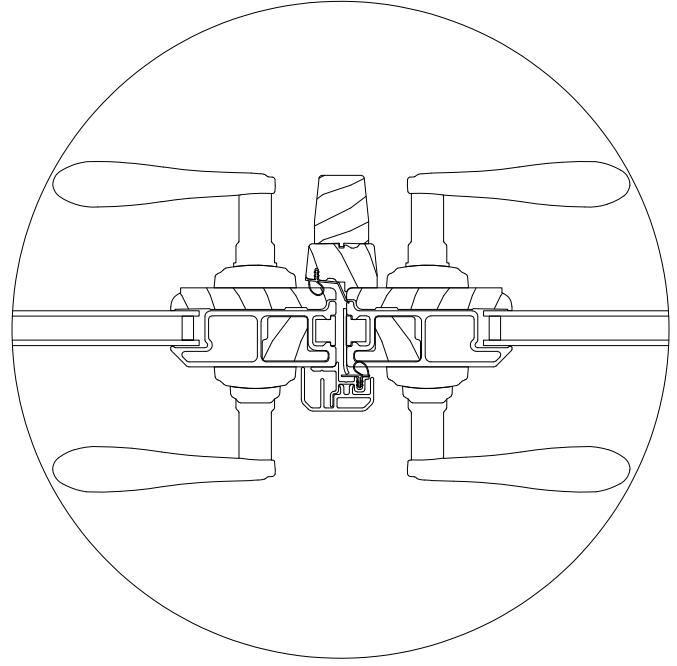
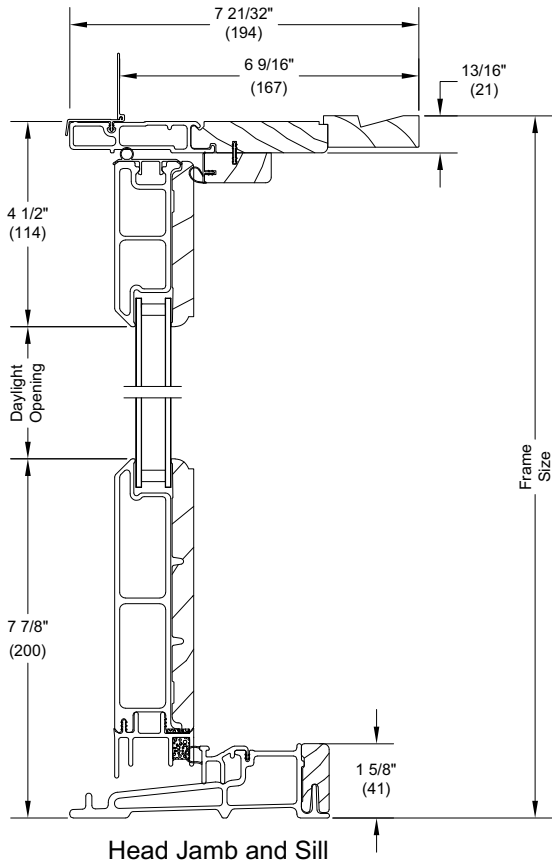
Scale: 3" = 1' 0"



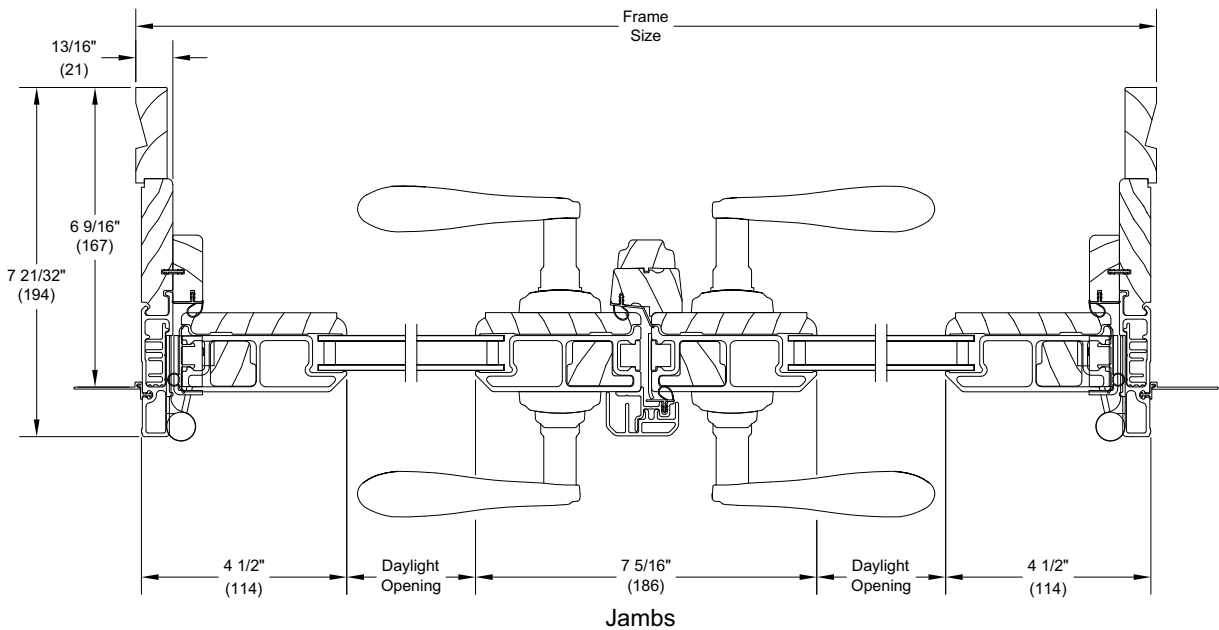
Integrity® From Marvin® Outswing French Door

Section Details: 2 panel - XX Configuration with 6 9/16" Jamb

Scale: 3" = 1' 0"



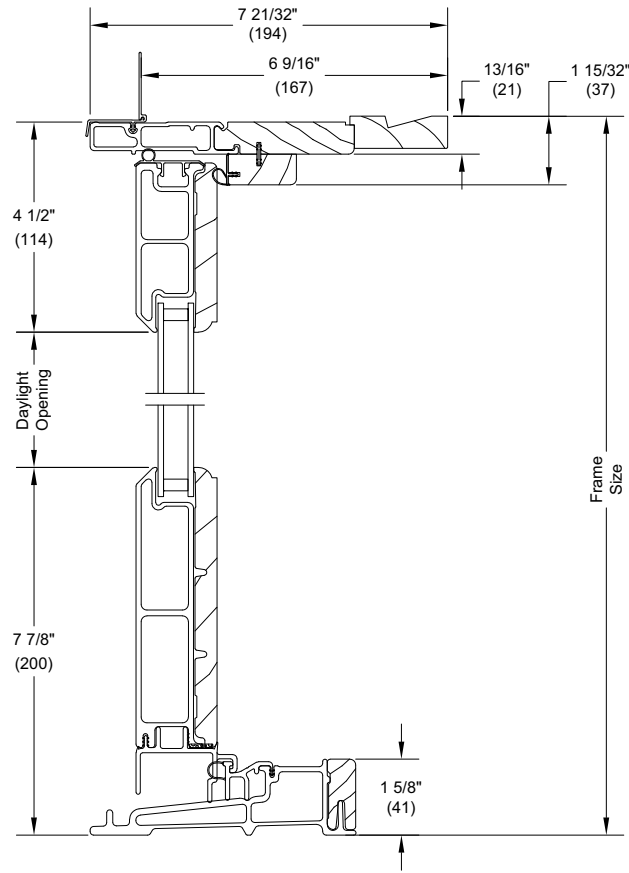
**W9608 Astragal
 For Heights Over 6-8**



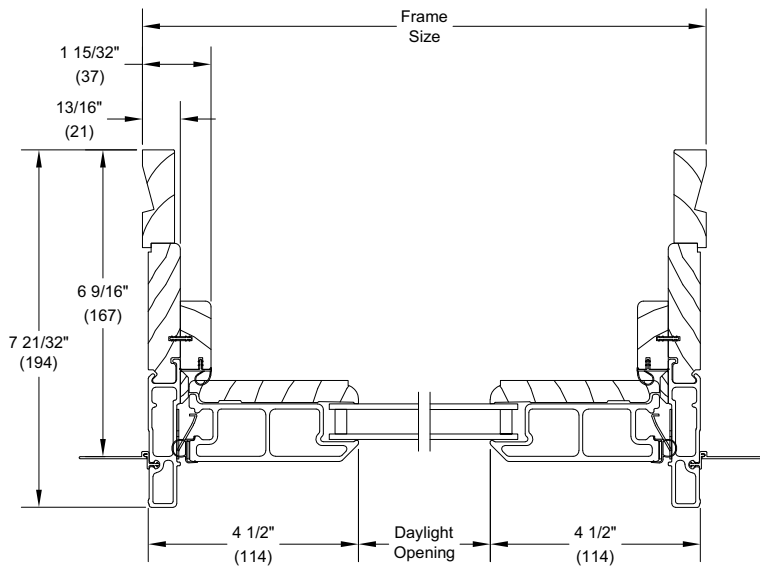
Integrity® From Marvin® Outswing French Door

Section Details: Stationary Panel with 6 9/16" Jamb

Scale: 3" = 1' 0"



Head Jamb and Sill



Jamb