

Integrity All Ultrex Single Hung

Unit Features.....	1
Egress and Vent Measurements: Equal Sash.....	3
Egress and Vent Measurements - Cottage Sash.....	5
Egress and Vent Measurements - Reverse Cottage Sash.....	7
Daylight Measurements: Equal Sash.....	9
Daylight Measurements: Cottage Sash.....	10
Daylight Measurements: Reverse Cottage Sash.....	11
Daylight Measurements: Sliding Window Picture and Transom.....	12
Minimum and Maximum Guidelines.....	13
Certified Sizes and Rating.....	14
Measurement Conversions - Operator.....	15
Measurement Conversions - Transom and Picture.....	16
Egress Measurements.....	17
Sizing and Mulling Guidelines.....	18
Standard Unit Measurement: Equal Sash.....	19
Standard Unit Measurement: Cottage Sash.....	20
Standard Unit Measurement: Reverse Cottage Sash.....	21
Standard Unit Measurement: Sliding Window Picture.....	22
Standard Unit Measurement: Sliding Window Transom.....	23
Section Details: Operator.....	24
Section Details: Transom/Picture.....	25
Section Details: Mullions.....	26
Section Details: Reinforced Mullions.....	27
Section Details: Divided Lite Options.....	28
Installation Suggestions - Frame Expander.....	29
Installation Suggestions: Brick Veneer with Steel Frame Construction.....	30
Installation Suggestions: Vinyl Siding with 2x6 Frame Construction.....	31
Installation Suggestions: Stucco with 2X6 Frame Construction.....	32

All Ultrex Single Hung

Unit Features

Integrity All Ultrex Single Hung: IFSH

Frame and Sash:

- The frame and sash exteriors are made of Ultrex®, an advanced fiber reinforced material that is resistant to thermal conductance. Ultrex patented coating system meets all the requirements of AAMA 624-10.
- Exterior colors: Stone White, Pebble Gray, Bronze, Evergreen, Cashmere, or Ebony.
- Interior coating meets all the requirements of 00022716 in Stone White.

Frame:

- Composite frame thickness is 1 3/8", (35). Frame width is 3 3/32", (79). Flat bottom sill with 11 degree bevel. Ultrex is .065" - .070", (2) thick.

Sash:

- Composite sash thickness is 15/16" (24). Ultrex is .065" - .070" (2) thick. Sash can be replaced by cannot be re-glazed.
- Cottage style unit: Sash divided 2/5 over 3/5.
- Oriel style unit: sash divided 3/5 over 2/5.

Jamb Extension:

- 2" (51) is standard
- 4 9/16" (116) and 6 9/16" (167) maintenance free jamb extension available

Hardware:

- Balance system is a coil spring block and tackle system
 - Nylon cord and steel locking shoe
- High pressure zinc die cast check rail lock and keeper.
 - Lock employs a cam-lock mechanism
 - Two locks on rough openings over 30" (762) wide
- Color: Stone White
 - Optional Almond Frost, Brass, Satin Nickel and Oil Rubbed Bronze hardware finishes available
 - Lock, keeper and fasteners available in the additional hardware finish options
 - Tilt latches and sash pull will remain Stone White, regardless of selected hardware finish
- Bottom Sash employs tilt latches to allow for easy tilting of sash
- Sash Lift, color: Stone White
- Optional factory applied Window Opening Control Device is available in White color finish.
(min size: 17 27/32" (453) x 24" (610) - max size: 36" (914) x 71 1/8" (1807))
- ABS sash travel limiter is available for field application in Beige color finish
- Non-operable lock is available for field application in White color finish

Installation:

- Factory applied folding nailing fin
- Optional through jamb installation method with brackets
- Factory supplied mulling kits are available for standard assemblies

Glazing:

- Dual-pane units are manufactured with an 11/16" (17) IG with Low E2, E3, E or E3/ER3 coatings including argon gas fill.
- Tempered glass and/or obscure glass, and California Fire glass (annealed exterior and tempered interior glazing configuration) are available as an option.
- All glass is of a select quality complying with ASTM C 1036.
- Insulating glass is manufactured and tested to pass level ASTM E 2190 and is IGCC certified.
- The glazing seal is a silicone bedding on both interior and exterior surfaces utilized in a sandwich style sash.
- STC/OITC values are available for 3.1 mm thickness glass.
 - Optional 3.1/4.7 STC/OITC Upgrade glass is available. STC and OITC ratings are tested in accordance with ASTM E 90-09.
- See the Product Performance chapter for values.

Weather Strip:

- Sill is foam filled vinyl bulb
- Bottom sash is sealed to the jambs using foam filled vinyl bulb
- Top stationary sash seal is foam tape
- Check rails are sealed using rigid vinyl with flexible seals

All Ultrex Single Hung

Unit Features Continued

Screen:

- Roll formed aluminum frame with corner key construction
- Available in finish to match the exterior Ultrex frame color
- Charcoal color fiberglass (non-corrosive) screen cloth.
- Spring loaded pins for installation.
- Available in standard half screen or optional full screen

Grilles-Between-The-Glass (GBG):

- 11/16" (17) contoured aluminum bar placed between two panes of glass
- Pattern: Standard rectangular pattern, or optional 6 lite Prairie cut on Single Hung
 - 9 lite available on Picture units within size limitations
- Exterior color determined by frame color
- Interior Colors: White

Accessories:

- Field Applied: J-Channel, a 1" (25) or 3" (76) frame expander, Flush Fin installation kit
- Factory Applied: Sheet rock return for 1/2" (13) or 5/8" (16) drywall, a 3/4" (19) receiver, a frame filler or a flush fin.
- General Mull kits are available for field assembly

Exterior Casing:

- Non-integral to the unit
- Fastened to the exterior wall with barb and kerf 2" brick mould as a full surround or with sill nosing
- 3 1/2" flat casing available as full surround or with sill nosing
- Available with 1" ranch style and header overhang

NOTE: NFRC Values are now located on www.marvin.com

All Ultrex Single Hung

Egress and Vent Measurements: Equal Sash

CN	Clear Opening Width		Clear Opening Height		Egress Opening		Floor to Sill Height		Vent Opening	
	ft - in	mm	ft - in	mm	ft ²	m ²	ft-in	mm	ft ²	m ²
1620	1-2 9/16	(370)	0-7 7/32	(183)	0.73	(0.07)	5-0 5/8	(1540)	0.73	(678)
1626	1-2 9/16	(370)	0-10 7/32	(259)	1.03	(0.10)	4-6 5/8	(1388)	1.03	(960)
1630	1-2 9/16	(370)	1-1 7/32	(336)	1.34	(0.12)	4-0 5/8	(1236)	1.34	(1242)
1636	1-2 9/16	(370)	1-4 7/32	(412)	1.64	(0.15)	3-6 5/8	(1083)	1.64	(1524)
1640	1-2 9/16	(370)	1-7 7/32	(488)	1.94	(0.18)	3-0 5/8	(931)	1.94	(1806)
1646	1-2 9/16	(370)	1-10 7/32	(564)	2.25	(0.21)	2-6 5/8	(778)	2.25	(2087)
1650	1-2 9/16	(370)	2-1 7/32	(640)	2.55	(0.24)	2-0 5/8	(626)	2.55	(2369)
1656	1-2 9/16	(370)	2-4 7/32	(717)	2.85	(0.26)	1-6 5/8	(474)	2.85	(2651)
1660	1-2 9/16	(370)	2-7 7/32	(793)	3.16	(0.29)	1-0 5/8	(321)	3.16	(2933)
1666	1-2 9/16	(370)	2-10 7/32	(869)	3.46	(0.32)	0-6 5/8	(169)	3.46	(3215)
2020	1-8 9/16	(522)	0-7 7/32	(183)	1.03	(0.10)	5-0 5/8	(1540)	1.03	(958)
2026	1-8 9/16	(522)	0-10 7/32	(259)	1.46	(0.14)	4-6 5/8	(1388)	1.46	(1356)
2030	1-8 9/16	(522)	1-1 7/32	(336)	1.89	(0.18)	4-0 5/8	(1236)	1.89	(1754)
2036	1-8 9/16	(522)	1-4 7/32	(412)	2.31	(0.22)	3-6 5/8	(1083)	2.32	(2152)
2040	1-8 9/16	(522)	1-7 7/32	(488)	2.74	(0.25)	3-0 5/8	(931)	2.74	(2550)
2046	1-8 9/16	(522)	1-10 7/32	(564)	3.17	(0.29)	2-6 5/8	(778)	3.17	(2948)
2050	1-8 9/16	(522)	2-1 7/32	(640)	3.60	(0.33)	2-0 5/8	(626)	3.60	(3346)
2056	1-8 9/16	(522)	2-4 7/32	(717)	4.03	(0.37)	1-6 5/8	(474)	4.03	(3744)
2060	1-8 9/16	(522)	2-7 7/32	(793)	4.46	(0.41)	1-0 5/8	(321)	4.46	(4142)
2066	1-8 9/16	(522)	2-10 7/32	(869)	4.88	(0.45)	0-6 5/8	(169)	4.89	(4539)
2620	2-2 9/16	(675)	0-7 7/32	(183)	1.33	(0.12)	5-0 5/8	(1540)	1.33	(1237)
2626	2-2 9/16	(675)	0-10 7/32	(259)	1.88	(0.17)	4-6 5/8	(1388)	1.88	(1751)
2630	2-2 9/16	(675)	1-1 7/32	(336)	2.44	(0.23)	4-0 5/8	(1236)	2.44	(2265)
2636	2-2 9/16	(675)	1-4 7/32	(412)	2.99	(0.28)	3-6 5/8	(1083)	2.99	(2779)
2640	2-2 9/16	(675)	1-7 7/32	(488)	3.54	(0.33)	3-0 5/8	(931)	3.55	(3294)
2646	2-2 9/16	(675)	1-10 7/32	(564)	4.10	(0.38)	2-6 5/8	(778)	4.10	(3808)
2650	2-2 9/16	(675)	2-1 7/32	(640)	4.65	(0.43)	2-0 5/8	(626)	4.65	(4322)
2656	2-2 9/16	(675)	2-4 7/32	(717)	5.20	(0.48)	1-6 5/8	(474)	5.21	(4836)
2660 E	2-2 9/16	(675)	2-7 7/32	(793)	5.76	(0.53)	1-0 5/8	(321)	5.76	(5350)
2666 E	2-2 9/16	(675)	2-10 7/32	(869)	6.31	(0.59)	0-6 5/8	(169)	6.31	(5864)
2820	2-4 9/16	(725)	0-7 7/32	(183)	1.43	(0.13)	5-0 5/8	(1540)	1.43	(1330)
2826	2-4 9/16	(725)	0-10 7/32	(259)	2.02	(0.19)	4-6 5/8	(1388)	2.03	(1883)
2830	2-4 9/16	(725)	1-1 7/32	(336)	2.62	(0.24)	4-0 5/8	(1236)	2.62	(2436)
2836	2-4 9/16	(725)	1-4 7/32	(412)	3.21	(0.30)	3-6 5/8	(1083)	3.22	(2989)
2840	2-4 9/16	(725)	1-7 7/32	(488)	3.81	(0.35)	3-0 5/8	(931)	3.81	(3542)
2846	2-4 9/16	(725)	1-10 7/32	(564)	4.40	(0.41)	2-6 5/8	(778)	4.41	(4094)
2850	2-4 9/16	(725)	2-1 7/32	(640)	5.00	(0.46)	2-0 5/8	(626)	5.00	(4647)
2856	2-4 9/16	(725)	2-4 7/32	(717)	5.59	(0.52)	1-6 5/8	(474)	5.60	(5200)
2860 E	2-4 9/16	(725)	2-7 7/32	(793)	6.19	(0.58)	1-0 5/8	(321)	6.19	(5753)
2866 E	2-4 9/16	(725)	2-10 7/32	(869)	6.78	(0.63)	0-6 5/8	(169)	6.79	(6306)

All Ultrex Single Hung

Egress and Vent Measurements: Equal Sash

CN	Clear Opening Width		Clear Opening Height		Egress Opening		Floor to Sill Height		Vent Opening	
	ft - in	mm	ft - in	mm	ft ²	m ²	ft-in	mm	ft ²	m ²
3020	2-8 9/16	(827)	0-7 7/32	(183)	1.63	(0.15)	5-0 5/8	(1540)	1.63	(1517)
3026	2-8 9/16	(827)	0-10 7/32	(259)	2.31	(0.21)	4-6 5/8	(1388)	2.31	(2147)
3030	2-8 9/16	(827)	1-1 7/32	(336)	2.99	(0.28)	4-0 5/8	(1236)	2.99	(2777)
3036	2-8 9/16	(827)	1-4 7/32	(412)	3.67	(0.34)	3-6 5/8	(1083)	3.67	(3407)
3040	2-8 9/16	(827)	1-7 7/32	(488)	4.34	(0.40)	3-0 5/8	(931)	4.35	(4037)
3046	2-8 9/16	(827)	1-10 7/32	(564)	5.02	(0.47)	2-6 5/8	(778)	5.02	(4668)
3050 E	2-8 9/16	(827)	2-1 7/32	(640)	5.70	(0.53)	2-0 5/8	(626)	5.70	(5298)
3056 E	2-8 9/16	(827)	2-4 7/32	(717)	6.38	(0.59)	1-6 5/8	(474)	6.38	(5928)
3060 E	2-8 9/16	(827)	2-7 7/32	(793)	7.06	(0.66)	1-0 5/8	(321)	7.06	(6558)
3066 E	2-8 9/16	(827)	2-10 7/32	(869)	7.74	(0.72)	0-6 5/8	(169)	7.74	(7189)
3620	3-2 9/16	(979)	0-7 7/32	(183)	1.93	(0.18)	5-0 5/8	(1540)	1.93	(1796)
3626	3-2 9/16	(979)	0-10 7/32	(259)	2.73	(0.25)	4-6 5/8	(1388)	2.74	(2542)
3630	3-2 9/16	(979)	1-1 7/32	(336)	3.54	(0.33)	4-0 5/8	(1236)	3.54	(3289)
3636	3-2 9/16	(979)	1-4 7/32	(412)	4.34	(0.40)	3-6 5/8	(1083)	4.34	(4035)
3640	3-2 9/16	(979)	1-7 7/32	(488)	5.14	(0.48)	3-0 5/8	(931)	5.15	(4781)
3646 E	3-2 9/16	(979)	1-10 7/32	(564)	5.95	(0.55)	2-6 5/8	(778)	5.95	(5528)
3650 E	3-2 9/16	(979)	2-1 7/32	(640)	6.75	(0.63)	2-0 5/8	(626)	6.75	(6274)
3656 E	3-2 9/16	(979)	2-4 7/32	(717)	7.55	(0.70)	1-6 5/8	(474)	7.56	(7021)
3660 E	3-2 9/16	(979)	2-7 7/32	(793)	8.36	(0.78)	1-0 5/8	(321)	8.36	(7767)
3666 E	3-2 9/16	(979)	2-10 7/32	(869)	9.16	(0.85)	0-6 5/8	(169)	9.16	(8513)
4020	3-8 9/16	(1132)	0-7 7/32	(183)	2.23	(0.21)	5-0 5/8	(1540)	2.23	(2075)
4026	3-8 9/16	(1132)	0-10 7/32	(259)	3.16	(0.29)	4-6 5/8	(1388)	3.16	(2938)
4030	3-8 9/16	(1132)	1-1 7/32	(336)	4.09	(0.38)	4-0 5/8	(1236)	4.09	(3800)
4036	3-8 9/16	(1132)	1-4 7/32	(412)	5.02	(0.47)	3-6 5/8	(1083)	5.02	(4663)
4040 E	3-8 9/16	(1132)	1-7 7/32	(488)	5.94	(0.55)	3-0 5/8	(931)	5.95	(5525)
4046 E	3-8 9/16	(1132)	1-10 7/32	(564)	6.87	(0.64)	2-6 5/8	(778)	6.88	(6388)
4050 E	3-8 9/16	(1132)	2-1 7/32	(640)	7.80	(0.72)	2-0 5/8	(626)	7.80	(7250)
4056 E	3-8 9/16	(1132)	2-4 7/32	(717)	8.73	(0.81)	1-6 5/8	(474)	8.73	(8113)
4060 E	3-8 9/16	(1132)	2-7 7/32	(793)	9.66	(0.90)	1-0 5/8	(321)	9.66	(8975)
4066 E	3-8 9/16	(1132)	2-10 7/32	(869)	10.59	(0.98)	0-6 5/8	(169)	10.59	(9838)

All Ultrex Single Hung

Egress and Vent Measurements - Cottage Sash

All Ultrex Single Hung - Cottage													
CN	Clear Opening Width		Clear Opening Height		Egress Opening		Floor to Sill Height		Vent Opening		Check Rail Height		
	ft - in	mm	ft - in	mm	ft ²	m ²	ft-in	mm	ft ²	cm ²	ft - in	mm	
1626	1-2 9/16	(370)	0-7 23/32	(196)	0.78	(0.07)	4-6 5/8	(1388)	0.78	(725)	1-5 11/16	(449)	
1630	1-2 9/16	(370)	0-10 1/8	(257)	1.02	(0.10)	4-0 5/8	(1236)	1.02	(951)	1-9 5/16	(541)	
1636	1-2 9/16	(370)	1-0 17/32	(318)	1.27	(0.12)	3-6 5/8	(1083)	1.27	(1177)	2-0 7/8	(632)	
1640	1-2 9/16	(370)	1-2 29/32	(379)	1.51	(0.14)	3-0 5/8	(931)	1.51	(1400)	2-4 1/2	(723)	
1646	1-2 9/16	(370)	1-5 5/16	(440)	1.75	(0.16)	2-6 5/8	(778)	1.75	(1627)	2-8 1/8	(815)	
1650	1-2 9/16	(370)	1-7 23/32	(501)	1.99	(0.19)	2-0 5/8	(626)	1.99	(1853)	2-11 11/16	(906)	
1656	1-2 9/16	(370)	1-10 7/32	(564)	2.25	(0.21)	1-6 5/8	(474)	2.25	(2087)	3-3 3/16	(995)	
1660	1-2 9/16	(370)	2-0 17/32	(623)	2.48	(0.23)	1-0 5/8	(321)	2.48	(2305)	3-6 7/8	(1089)	
1666	1-2 9/16	(370)	2-2 15/16	(684)	2.72	(0.25)	0-6 5/8	(169)	2.72	(2531)	3-10 1/2	(1181)	
2026	1-8 9/16	(522)	0-7 23/32	(196)	1.10	(0.10)	4-6 5/8	(1388)	1.10	(1024)	1-5 11/16	(449)	
2030	1-8 9/16	(522)	0-10 1/8	(257)	1.44	(0.13)	4-0 5/8	(1236)	1.45	(1343)	1-9 5/16	(541)	
2036	1-8 9/16	(522)	1-0 17/32	(318)	1.79	(0.17)	3-6 5/8	(1083)	1.79	(1662)	2-0 7/8	(632)	
2040	1-8 9/16	(522)	1-2 29/32	(379)	2.13	(0.20)	3-0 5/8	(931)	2.13	(1977)	2-4 1/2	(723)	
2046	1-8 9/16	(522)	1-5 5/16	(440)	2.47	(0.23)	2-6 5/8	(778)	2.47	(2297)	2-8 1/8	(815)	
2050	1-8 9/16	(522)	1-7 23/32	(501)	2.82	(0.26)	2-0 5/8	(626)	2.82	(2616)	2-11 11/16	(906)	
2056	1-8 9/16	(522)	1-10 7/32	(564)	3.17	(0.29)	1-6 5/8	(474)	3.17	(2948)	3-3 3/16	(995)	
2060	1-8 9/16	(522)	2-0 17/32	(623)	3.50	(0.33)	1-0 5/8	(321)	3.50	(3254)	3-6 7/8	(1089)	
2066	1-8 9/16	(522)	2-2 15/16	(684)	3.84	(0.36)	0-6 5/8	(169)	3.85	(3574)	3-10 1/2	(1181)	
2626	2-2 9/16	(675)	0-7 23/32	(196)	1.42	(0.13)	4-6 5/8	(1388)	1.42	(1323)	1-5 11/16	(449)	
2630	2-2 9/16	(675)	0-10 1/8	(257)	1.87	(0.17)	4-0 5/8	(1236)	1.87	(1735)	1-9 5/16	(541)	
2636	2-2 9/16	(675)	1-0 17/32	(318)	2.31	(0.21)	3-6 5/8	(1083)	2.31	(2147)	2-0 7/8	(632)	
2640	2-2 9/16	(675)	1-2 29/32	(379)	2.75	(0.26)	3-0 5/8	(931)	2.75	(2554)	2-4 1/2	(723)	
2646	2-2 9/16	(675)	1-5 5/16	(440)	3.19	(0.30)	2-6 5/8	(778)	3.19	(2967)	2-8 1/8	(815)	
2650	2-2 9/16	(675)	1-7 23/32	(501)	3.64	(0.34)	2-0 5/8	(626)	3.64	(3379)	2-11 11/16	(906)	
2656	2-2 9/16	(675)	1-10 7/32	(564)	4.10	(0.38)	1-6 5/8	(474)	4.10	(3808)	3-3 3/16	(995)	
2660	2-2 9/16	(675)	2-0 17/32	(623)	4.52	(0.42)	1-0 5/8	(321)	4.53	(4204)	3-6 7/8	(1089)	
2666	2-2 9/16	(675)	2-2 15/16	(684)	4.97	(0.46)	0-6 5/8	(169)	4.97	(4616)	3-10 1/2	(1181)	
2826	2-4 9/16	(725)	0-7 23/32	(196)	1.53	(0.14)	4-6 5/8	(1388)	1.53	(1422)	1-5 11/16	(449)	
2830	2-4 9/16	(725)	0-10 1/8	(257)	2.01	(0.19)	4-0 5/8	(1236)	2.01	(1866)	1-9 5/16	(541)	
2836	2-4 9/16	(725)	1-0 17/32	(318)	2.48	(0.23)	3-6 5/8	(1083)	2.49	(2309)	2-0 7/8	(632)	
2840	2-4 9/16	(725)	1-2 29/32	(379)	2.96	(0.27)	3-0 5/8	(931)	2.96	(2747)	2-4 1/2	(723)	
2846	2-4 9/16	(725)	1-5 5/16	(440)	3.44	(0.32)	2-6 5/8	(778)	3.43	(3190)	2-8 1/8	(815)	
2850	2-4 9/16	(725)	1-7 23/32	(501)	3.91	(0.36)	2-0 5/8	(626)	3.91	(3634)	2-11 11/16	(906)	
2856	2-4 9/16	(725)	1-10 7/32	(564)	4.40	(0.41)	1-6 5/8	(474)	4.41	(4094)	3-3 3/16	(995)	
2860	2-4 9/16	(725)	2-0 17/32	(623)	4.86	(0.45)	1-0 5/8	(321)	4.87	(4520)	3-6 7/8	(1089)	
2866	2-4 9/16	(725)	2-2 15/16	(684)	5.34	(0.50)	0-6 5/8	(169)	5.34	(4964)	3-10 1/2	(1181)	
3026	2-8 9/16	(827)	0-7 23/32	(196)	1.75	(0.16)	4-6 5/8	(1388)	1.75	(1622)	1-5 11/16	(449)	
3030	2-8 9/16	(827)	0-10 1/8	(257)	2.29	(0.21)	4-0 5/8	(1236)	2.29	(2127)	1-9 5/16	(541)	
3036	2-8 9/16	(827)	1-0 17/32	(318)	2.83	(0.26)	3-6 5/8	(1083)	2.83	(2633)	2-0 7/8	(632)	
3040	2-8 9/16	(827)	1-2 29/32	(379)	3.37	(0.31)	3-0 5/8	(931)	3.37	(3132)	2-4 1/2	(723)	
3046	2-8 9/16	(827)	1-5 5/16	(440)	3.92	(0.36)	2-6 5/8	(778)	3.91	(3637)	2-8 1/8	(815)	
3050	2-8 9/16	(827)	1-7 23/32	(501)	4.46	(0.41)	2-0 5/8	(626)	4.46	(4143)	2-11 11/16	(906)	
3056	2-8 9/16	(827)	1-10 7/32	(564)	5.02	(0.47)	1-6 5/8	(474)	5.02	(4668)	3-3 3/16	(995)	
3060	2-8 9/16	(827)	2-0 17/32	(623)	5.54	(0.52)	1-0 5/8	(321)	5.55	(5154)	3-6 7/8	(1089)	
3066	E	2-8 9/16	(827)	2-2 15/16	(684)	6.09	(0.57)	0-6 5/8	(169)	6.09	(5659)	3-10 1/2	(1181)

All Ultrex Single Hung

Egress and Vent Measurements - Cottage Sash

All Ultrex Single Hung - Cottage												
CN	Clear Opening Width		Clear Opening Height		Egress Opening		Floor to Sill Height		Vent Opening		Check Rail Height	
	ft - in	mm	ft - in	mm	ft ²	m ²	ft-in	mm	ft ²	cm ²	ft - in	mm
3626	3-2 9/16	(979)	0-7 23/32	(196)	2.07	(0.19)	4-6 5/8	(1388)	2.07	(1920)	1-5 11/16	(449)
3630	3-2 9/16	(979)	0-10 1/8	(257)	2.71	(0.25)	4-0 5/8	(1236)	2.71	(2519)	1-9 5/16	(541)
3636	3-2 9/16	(979)	1-0 17/32	(318)	3.35	(0.31)	3-6 5/8	(1083)	3.36	(3118)	2-0 7/8	(632)
3640	3-2 9/16	(979)	1-2 29/32	(379)	4.00	(0.37)	3-0 5/8	(931)	3.99	(3709)	2-4 1/2	(723)
3646	3-2 9/16	(979)	1-5 5/16	(440)	4.64	(0.43)	2-6 5/8	(778)	4.64	(4307)	2-8 1/8	(815)
3650	3-2 9/16	(979)	1-7 23/32	(501)	5.28	(0.49)	2-0 5/8	(626)	5.28	(4906)	2-11 11/16	(906)
3656	3-2 9/16	(979)	1-10 7/32	(564)	5.95	(0.55)	1-6 5/8	(474)	5.95	(5528)	3-3 3/16	(995)
3660 E	3-2 9/16	(979)	2-0 17/32	(623)	6.57	(0.61)	1-0 5/8	(321)	6.57	(6103)	3-6 7/8	(1089)
3666 E	3-2 9/16	(979)	2-2 15/16	(684)	7.21	(0.67)	0-6 5/8	(169)	7.21	(6702)	3-10 1/2	(1181)
4026	3-8 9/16	(1132)	0-7 23/32	(196)	2.39	(0.22)	4-6 5/8	(1388)	2.39	(2219)	1-5 11/16	(449)
4030	3-8 9/16	(1132)	0-10 1/8	(257)	3.13	(0.29)	4-0 5/8	(1236)	3.13	(2911)	1-9 5/16	(541)
4036	3-8 9/16	(1132)	1-0 17/32	(318)	3.87	(0.36)	3-6 5/8	(1083)	3.88	(3603)	2-0 7/8	(632)
4040	3-8 9/16	(1132)	1-2 29/32	(379)	4.62	(0.43)	3-0 5/8	(931)	4.61	(4286)	2-4 1/2	(723)
4046	3-8 9/16	(1132)	1-5 5/16	(440)	5.36	(0.50)	2-6 5/8	(778)	5.36	(4977)	2-8 1/8	(815)
4050	3-8 9/16	(1132)	1-7 23/32	(501)	6.10	(0.57)	2-0 5/8	(626)	6.10	(5669)	2-11 11/16	(906)
4056	3-8 9/16	(1132)	1-10 7/32	(564)	6.87	(0.64)	1-6 5/8	(474)	6.88	(6388)	3-3 3/16	(995)
4060 E	3-8 9/16	(1132)	2-0 17/32	(623)	7.59	(0.70)	1-0 5/8	(321)	7.59	(7053)	3-6 7/8	(1089)
4066 E	3-8 9/16	(1132)	2-2 15/16	(684)	8.33	(0.77)	0-6 5/8	(169)	8.34	(7745)	3-10 1/2	(1181)

All Ultrex Single Hung

Egress and Vent Measurements - Reverse Cottage Sash

All Ultrex Single Hung - Reverse Cottage												
CN	Clear Opening Width		Clear Opening Height		Egress Opening		Floor to Sill Height		Vent Opening		Check Rail Height	
	ft - in	mm	ft - in	mm	ft ²	m ²	ft-in	mm	ft ²	cm ²	ft - in	mm
1626	1-2 9/16	(370)	0-7 23/32	(196)	0.78	(0.07)	4-6 5/8	(1388)	0.78	(725)	1-0 23/32	(323)
1630	1-2 9/16	(370)	0-10 1/8	(257)	1.02	(0.10)	4-0 5/8	(1236)	1.02	(951)	1-3 1/8	(384)
1636	1-2 9/16	(370)	1-0 17/32	(318)	1.27	(0.12)	3-6 5/8	(1083)	1.27	(1177)	1-5 1/2	(445)
1640	1-2 9/16	(370)	1-2 29/32	(379)	1.51	(0.14)	3-0 5/8	(931)	1.51	(1400)	1-7 29/32	(506)
1646	1-2 9/16	(370)	1-5 5/16	(440)	1.75	(0.16)	2-6 5/8	(778)	1.75	(1627)	1-10 5/16	(567)
1650	1-2 9/16	(370)	1-7 23/32	(501)	1.99	(0.19)	2-0 5/8	(626)	1.99	(1853)	2-0 23/32	(628)
1656	1-2 9/16	(370)	1-10 7/32	(564)	2.25	(0.21)	1-6 5/8	(474)	2.25	(2087)	2-3 3/16	(691)
1660	1-2 9/16	(370)	2-0 17/32	(623)	2.48	(0.23)	1-0 5/8	(321)	2.48	(2305)	2-5 1/2	(750)
1666	1-2 9/16	(370)	2-2 15/16	(684)	2.72	(0.25)	0-6 5/8	(169)	2.72	(2531)	2-7 29/32	(810)
2026	1-8 9/16	(522)	0-7 23/32	(196)	1.10	(0.10)	4-6 5/8	(1388)	1.10	(1024)	1-0 23/32	(323)
2030	1-8 9/16	(522)	0-10 1/8	(257)	1.44	(0.13)	4-0 5/8	(1236)	1.45	(1343)	1-3 1/8	(384)
2036	1-8 9/16	(522)	1-0 17/32	(318)	1.79	(0.17)	3-6 5/8	(1083)	1.79	(1662)	1-5 1/2	(445)
2040	1-8 9/16	(522)	1-2 29/32	(379)	2.13	(0.20)	3-0 5/8	(931)	2.13	(1977)	1-7 29/32	(506)
2046	1-8 9/16	(522)	1-5 5/16	(440)	2.47	(0.23)	2-6 5/8	(778)	2.47	(2297)	1-10 5/16	(567)
2050	1-8 9/16	(522)	1-7 23/32	(501)	2.82	(0.26)	2-0 5/8	(626)	2.82	(2616)	2-0 23/32	(628)
2056	1-8 9/16	(522)	1-10 7/32	(564)	3.17	(0.29)	1-6 5/8	(474)	3.17	(2948)	2-3 3/16	(691)
2060	1-8 9/16	(522)	2-0 17/32	(623)	3.50	(0.33)	1-0 5/8	(321)	3.50	(3254)	2-5 1/2	(750)
2066	1-8 9/16	(522)	2-2 15/16	(684)	3.84	(0.36)	0-6 5/8	(169)	3.85	(3574)	2-7 29/32	(810)
2626	2-2 9/16	(675)	0-7 23/32	(196)	1.42	(0.13)	4-6 5/8	(1388)	1.42	(1323)	1-0 23/32	(323)
2630	2-2 9/16	(675)	0-10 1/8	(257)	1.87	(0.17)	4-0 5/8	(1236)	1.87	(1735)	1-3 1/8	(384)
2636	2-2 9/16	(675)	1-0 17/32	(318)	2.31	(0.21)	3-6 5/8	(1083)	2.31	(2147)	1-5 1/2	(445)
2640	2-2 9/16	(675)	1-2 29/32	(379)	2.75	(0.26)	3-0 5/8	(931)	2.75	(2554)	1-7 29/32	(506)
2646	2-2 9/16	(675)	1-5 5/16	(440)	3.19	(0.30)	2-6 5/8	(778)	3.19	(2967)	1-10 5/16	(567)
2650	2-2 9/16	(675)	1-7 23/32	(501)	3.64	(0.34)	2-0 5/8	(626)	3.64	(3379)	2-0 23/32	(628)
2656	2-2 9/16	(675)	1-10 7/32	(564)	4.10	(0.38)	1-6 5/8	(474)	4.10	(3808)	2-3 3/16	(691)
2660	2-2 9/16	(675)	2-0 17/32	(623)	4.52	(0.42)	1-0 5/8	(321)	4.53	(4204)	2-5 1/2	(750)
2666	2-2 9/16	(675)	2-2 15/16	(684)	4.97	(0.46)	0-6 5/8	(169)	4.97	(4616)	2-7 29/32	(810)
2826	2-4 9/16	(725)	0-7 23/32	(196)	1.53	(0.14)	4-6 5/8	(1388)	1.53	(1422)	1-0 23/32	(323)
2830	2-4 9/16	(725)	0-10 1/8	(257)	2.01	(0.19)	4-0 5/8	(1236)	2.01	(1866)	1-3 1/8	(384)
2836	2-4 9/16	(725)	1-0 17/32	(318)	2.48	(0.23)	3-6 5/8	(1083)	2.49	(2309)	1-5 1/2	(445)
2840	2-4 9/16	(725)	1-2 29/32	(379)	2.96	(0.27)	3-0 5/8	(931)	2.96	(2747)	1-7 29/32	(506)
2846	2-4 9/16	(725)	1-5 5/16	(440)	3.44	(0.32)	2-6 5/8	(778)	3.43	(3190)	1-10 5/16	(567)
2850	2-4 9/16	(725)	1-7 23/32	(501)	3.91	(0.36)	2-0 5/8	(626)	3.91	(3634)	2-0 23/32	(628)
2856	2-4 9/16	(725)	1-10 7/32	(564)	4.40	(0.41)	1-6 5/8	(474)	4.41	(4094)	2-3 3/16	(691)
2860	2-4 9/16	(725)	2-0 17/32	(623)	4.86	(0.45)	1-0 5/8	(321)	4.87	(4520)	2-5 1/2	(750)
2866	2-4 9/16	(725)	2-2 15/16	(684)	5.34	(0.50)	0-6 5/8	(169)	5.34	(4964)	2-7 29/32	(810)

All Ultrex Single Hung

Egress and Vent Measurements - Reverse Cottage Sash

All Ultrex Single Hung - Reverse Cottage												
CN	Clear Opening Width		Clear Opening Height		Egress Opening		Floor to Sill Height		Vent Opening		Check Rail Height	
	ft - in	mm	ft - in	mm	ft ²	m ²	ft-in	mm	ft ²	cm ²	ft - in	mm
3026	2-8 9/16	(827)	0-7 23/32	(196)	1.75	(0.16)	4-6 5/8	(1388)	1.75	(1622)	1-0 23/32	(323)
3030	2-8 9/16	(827)	0-10 1/8	(257)	2.29	(0.21)	4-0 5/8	(1236)	2.29	(2127)	1-3 1/8	(384)
3036	2-8 9/16	(827)	1-0 17/32	(318)	2.83	(0.26)	3-6 5/8	(1083)	2.83	(2633)	1-5 1/2	(445)
3040	2-8 9/16	(827)	1-2 29/32	(379)	3.37	(0.31)	3-0 5/8	(931)	3.37	(3132)	1-7 29/32	(506)
3046	2-8 9/16	(827)	1-5 5/16	(440)	3.92	(0.36)	2-6 5/8	(778)	3.91	(3637)	1-10 5/16	(567)
3050	2-8 9/16	(827)	1-7 23/32	(501)	4.46	(0.41)	2-0 5/8	(626)	4.46	(4143)	2-0 23/32	(628)
3056	2-8 9/16	(827)	1-10 7/32	(564)	5.02	(0.47)	1-6 5/8	(474)	5.02	(4668)	2-3 3/16	(691)
3060	2-8 9/16	(827)	2-0 17/32	(623)	5.54	(0.52)	1-0 5/8	(321)	5.55	(5154)	2-5 1/2	(750)
3066 E	2-8 9/16	(827)	2-2 15/16	(684)	6.09	(0.57)	0-6 5/8	(169)	6.09	(5659)	2-7 29/32	(810)
3626	3-2 9/16	(979)	0-7 23/32	(196)	2.07	(0.19)	4-6 5/8	(1388)	2.07	(1920)	1-0 23/32	(323)
3630	3-2 9/16	(979)	0-10 1/8	(257)	2.71	(0.25)	4-0 5/8	(1236)	2.71	(2519)	1-3 1/8	(384)
3636	3-2 9/16	(979)	1-0 17/32	(318)	3.35	(0.31)	3-6 5/8	(1083)	3.36	(3118)	1-5 1/2	(445)
3640	3-2 9/16	(979)	1-2 29/32	(379)	4.00	(0.37)	3-0 5/8	(931)	3.99	(3709)	1-7 29/32	(506)
3646	3-2 9/16	(979)	1-5 5/16	(440)	4.64	(0.43)	2-6 5/8	(778)	4.64	(4307)	1-10 5/16	(567)
3650	3-2 9/16	(979)	1-7 23/32	(501)	5.28	(0.49)	2-0 5/8	(626)	5.28	(4906)	2-0 23/32	(628)
3656	3-2 9/16	(979)	1-10 7/32	(564)	5.95	(0.55)	1-6 5/8	(474)	5.95	(5528)	2-3 3/16	(691)
3660 E	3-2 9/16	(979)	2-0 17/32	(623)	6.57	(0.61)	1-0 5/8	(321)	6.57	(6103)	2-5 1/2	(750)
3666 E	3-2 9/16	(979)	2-2 15/16	(684)	7.21	(0.67)	0-6 5/8	(169)	7.21	(6702)	2-7 29/32	(810)
4026	3-8 9/16	(1132)	0-7 23/32	(196)	2.39	(0.22)	4-6 5/8	(1388)	2.39	(2219)	1-0 23/32	(323)
4030	3-8 9/16	(1132)	0-10 1/8	(257)	3.13	(0.29)	4-0 5/8	(1236)	3.13	(2911)	1-3 1/8	(384)
4036	3-8 9/16	(1132)	1-0 17/32	(318)	3.87	(0.36)	3-6 5/8	(1083)	3.88	(3603)	1-5 1/2	(445)
4040	3-8 9/16	(1132)	1-2 29/32	(379)	4.62	(0.43)	3-0 5/8	(931)	4.61	(4286)	1-7 29/32	(506)
4046	3-8 9/16	(1132)	1-5 5/16	(440)	5.36	(0.50)	2-6 5/8	(778)	5.36	(4977)	1-10 5/16	(567)
4050	3-8 9/16	(1132)	1-7 23/32	(501)	6.10	(0.57)	2-0 5/8	(626)	6.10	(5669)	2-0 23/32	(628)
4056	3-8 9/16	(1132)	1-10 7/32	(564)	6.87	(0.64)	1-6 5/8	(474)	6.88	(6388)	2-3 3/16	(691)
4060 E	3-8 9/16	(1132)	2-0 17/32	(623)	7.59	(0.70)	1-0 5/8	(321)	7.59	(7053)	2-5 1/2	(750)
4066 E	3-8 9/16	(1132)	2-2 15/16	(684)	8.33	(0.77)	0-6 5/8	(169)	8.34	(7745)	2-7 29/32	(810)

All Ultrex Single Hung

Daylight Measurements: Equal Sash

All Ultrex Single / Double Hung Daylight Measurements			Width								
			CN	16		20		26		28	
			DLO	12 9/16	(319)	18 9/16	(471)	24 9/16	(624)	26 9/16	(675)
CN	DLO Height	Square Feet (Square Meters)									
20	8 5/16 (211)	1.45	(0.13)	2.14	(0.20)	2.83	(0.26)	3.07	(0.28)		
26	11 5/16 (287)	1.97	(0.18)	2.92	(0.27)	3.86	(0.36)	4.17	(0.39)		
30	14 5/16 (363)	2.50	(0.23)	3.69	(0.34)	4.88	(0.45)	5.28	(0.49)		
36	17 5/16 (440)	3.02	(0.28)	4.46	(0.41)	5.90	(0.55)	6.39	(0.59)		
40	20 5/16 (516)	3.54	(0.33)	5.24	(0.49)	6.93	(0.64)	7.49	(0.70)		
46	23 5/16 (592)	4.07	(0.38)	6.01	(0.56)	7.95	(0.74)	8.60	(0.80)		
50	26 5/16 (668)	4.59	(0.43)	6.78	(0.63)	8.97	(0.83)	9.71	(0.90)		
56	29 5/16 (744)	5.11	(0.48)	7.56	(0.70)	10.0	(0.93)	10.81	(1.00)		
60	32 5/16 (821)	5.64	(0.52)	8.33	(0.77)	11.02	(1.02)	11.92	(1.11)		
66	35 5/16 (897)	6.16	(0.57)	9.10	(0.85)	12.04	(1.12)	13.03	(1.21)		

All Ultrex Single / Double Hung Daylight Measurements			Width						
			CN	30		36		40	
			DLO	30 9/16	(776)	36 9/16	(929)	42 9/16	(1081)
CN	DLO Height	Square Feet (Square Meters)							
20	8 5/16 (211)	3.53	(0.33)	4.22	(0.39)	4.91	(0.46)		
26	11 5/16 (287)	4.80	(0.45)	5.74	(0.53)	6.69	(0.62)		
30	14 5/16 (363)	6.07	(0.56)	7.27	(0.68)	8.46	(0.79)		
36	17 5/16 (440)	7.35	(0.68)	8.79	(0.82)	10.23	(0.95)		
40	20 5/16 (516)	8.62	(0.80)	10.31	(0.96)	12.01	(1.12)		
46	23 5/16 (592)	9.89	(0.92)	11.84	(1.10)	13.78	(1.28)		
50	26 5/16 (668)	11.17	(1.04)	13.36	(1.24)	15.55	(1.44)		
56	29 5/16 (744)	12.44	(1.16)	14.88	(1.38)	17.33	(1.61)		
60	32 5/16 (821)	13.71	(1.27)	16.41	(1.52)	19.10	(1.77)		
66	35 5/16 (897)	14.99	(1.39)	17.93	(1.67)	20.87	(1.94)		

All Ultrex Single Hung

Daylight Measurements: Cottage Sash

All Ultrex Single Hung Cottage Daylight Measurements				Width								
				CN	16		20.		26		28	
				DLO	12 9/16	(319)	18 9/16	(471)	24 9/16	(624)	26 9/16	(675)
CN	DLO Height Top Sash		DLO Height Bottom Sash		Square Feet (Square Meters)							
26	8 27/32	(224)	13 25/32	(350)	2.41	(0.22)	3.55	(0.33)	4.70	(0.44)	5.09	(0.47)
30	11 7/32	(285)	17 3/8	(442)	3.03	(0.28)	4.48	(0.42)	5.93	(0.55)	6.41	(0.60)
36	13 5/8	(346)	21	(533)	3.66	(0.34)	5.41	(0.50)	7.16	(0.67)	7.74	(0.72)
40	16 1/32	(407)	24 19/32	(625)	4.29	(0.40)	6.34	(0.59)	8.39	(0.78)	9.07	(0.84)
46	18 7/16	(468)	28 3/16	(716)	4.92	(0.46)	7.27	(0.68)	9.62	(0.89)	10.40	(0.97)
50	20 27/32	(529)	31 25/32	(807)	5.55	(0.52)	8.19	(0.76)	10.84	(1.01)	11.73	(1.09)
56	23 5/16	(592)	35 5/16	(897)	6.16	(0.57)	9.10	(0.85)	12.04	(1.12)	13.03	(1.21)
60	25 5/8	(651)	39	(990)	6.80	(0.63)	10.05	(0.93)	13.30	(1.24)	14.38	(1.34)
66	28 1/32	(712)	42 19/32	(1082)	7.43	(0.69)	10.98	(1.02)	14.53	(1.35)	15.71	(1.46)

All Ultrex Single Hung Cottage Daylight Measurements				Width						
				CN	30		36		40	
				DLO	30 9/16	(776)	36 9/16	(929)	42 9/16	(1081)
CN	DLO Height Top Sash		DLO Height Bottom Sash		Square Feet (Square Meters)					
26	8 27/32	(224)	13 25/32	(350)	5.85	(0.54)	7.00	(0.65)	8.15	(0.76)
30	11 7/32	(285)	17 3/8	(442)	7.38	(0.69)	8.83	(0.82)	10.28	(0.95)
36	13 5/8	(346)	21	(533)	8.91	(0.83)	10.66	(0.99)	12.41	(1.15)
40	16 1/32	(407)	24 19/32	(625)	10.44	(0.97)	12.49	(1.16)	14.54	(1.35)
46	18 7/16	(468)	28 3/16	(716)	11.97	(1.11)	14.31	(1.33)	16.66	(1.55)
50	20 27/32	(529)	31 25/32	(807)	13.49	(1.25)	16.14	(1.50)	18.79	(1.75)
56	23 5/16	(592)	35 5/16	(897)	14.99	(1.39)	17.93	(1.67)	20.87	(1.94)
60	25 5/8	(651)	39	(990)	16.55	(1.54)	19.80	(1.84)	23.05	(2.14)
66	28 1/32	(712)	42 19/32	(1082)	18.08	(1.68)	21.63	(2.01)	25.18	(2.34)

All Ultrex Single Hung

Daylight Measurements: Reverse Cottage Sash

All Ultrex Single Hung Reverse Cottage Daylight Measurements			Width									
			CN	16		20.		26		28		
			DLO	12 9/16	(319)	18 9/16	(471)	24 9/16	(624)	26 9/16	(675)	
CN	DLO Height Top Sash		DLO Height Bottom Sash		Square Feet (Square Meters)							
26	13 25/32	(350)	8 27/32	(224)	1.54	0.14	2.28	0.21	3.01	0.28	3.26	(0.30)
30	17 3/8	(442)	11 7/32	(285)	1.96	0.18	2.89	0.27	3.83	0.36	4.14	(0.38)
36	21	(533)	13 5/8	(346)	2.38	0.22	3.51	0.33	4.65	0.43	5.03	(0.47)
40	24 19/32	(625)	16 1/32	(407)	2.80	0.26	4.13	0.38	5.47	0.51	5.91	(0.55)
46	28 3/16	(716)	18 7/16	(468)	3.22	0.30	4.75	0.44	6.29	0.58	6.80	(0.63)
50	31 25/32	(807)	20 27/32	(529)	3.63	0.34	5.37	0.50	7.11	0.66	7.68	(0.71)
56	35 5/16	(897)	23 5/16	(592)	4.07	0.38	6.01	0.56	7.95	0.74	8.60	(0.80)
60	39	(990)	25 5/8	(651)	4.47	0.42	6.61	0.61	8.74	0.81	9.45	(0.88)
66	42 19/32	(1082)	28 1/32	(712)	4.89	0.45	7.22	0.67	9.56	0.89	10.34	(0.96)

All Ultrex Single Hung Reverse Cottage Daylight Measurements			Width							
			CN	30		36		40		
			DLO	30 9/16	(776)	36 9/16	(929)	42 9/16	(1081)	
CN	DLO Height Top Sash		DLO Height Bottom Sash		Square Feet (Square Meters)					
26	13 25/32	(350)	8 27/32	(224)	3.75	(0.35)	4.48	0.42	5.22	(0.48)
30	17 3/8	(442)	11 7/32	(285)	4.77	(0.44)	5.70	0.53	6.64	(0.62)
36	21	(533)	13 5/8	(346)	5.79	(0.54)	6.92	0.64	8.06	(0.75)
40	24 19/32	(625)	16 1/32	(407)	6.80	(0.63)	8.14	0.76	9.48	(0.88)
46	28 3/16	(716)	18 7/16	(468)	7.82	(0.73)	9.36	0.87	10.89	(1.01)
50	31 25/32	(807)	20 27/32	(529)	8.84	(0.82)	10.58	0.98	12.31	(1.14)
56	35 5/16	(897)	23 5/16	(592)	9.89	(0.92)	11.84	1.10	13.78	(1.28)
60	39	(990)	25 5/8	(651)	10.88	(1.01)	13.01	1.21	15.15	(1.41)
66	42 19/32	(1082)	28 1/32	(712)	11.90	(1.11)	14.23	1.32	16.57	(1.54)

All Ultrex Single Hung

Daylight Measurements: Sliding Window Picture and Transom

All Ultrex Sliding Window Transom Daylight Measurements			Width								
			CN	16		20		26		28	
			DLO	12 9/16	(319)	18 9/16	(471)	24 9/16	(624)	26 9/16	(675)
CN	DLO Height	Square Feet (Square Meters)									
20	8 5/16 (211)	0.72	(0.07)	1.07	(0.10)	1.42	(0.13)	1.53	(0.14)		
26	11 5/16 (287)	0.99	(0.09)	1.46	(0.14)	1.93	(0.18)	2.09	(0.19)		
30	14 5/16 (363)	1.25	(0.12)	1.84	(0.17)	2.44	(0.23)	2.64	(0.25)		
36	17 5/16 (440)	1.51	(0.14)	2.23	(0.21)	2.95	(0.27)	3.19	(0.30)		
40	20 5/16 (516)	1.77	(0.16)	2.62	(0.24)	3.46	(0.32)	3.75	(0.35)		
46	23 5/16 (592)	2.03	(0.19)	3.00	(0.28)	3.98	(0.37)	4.30	(0.40)		
50	26 5/16 (668)	2.29	(0.21)	3.39	(0.32)	4.49	(0.42)	4.85	(0.45)		
56	29 5/16 (744)	2.56	(0.24)	3.78	(0.35)	5.00	(0.46)	5.41	(0.50)		
60	32 5/16 (821)	2.82	(0.26)	4.16	(0.39)	5.51	(0.51)	5.96	(0.55)		

All Ultrex Sliding Window Transom Daylight Measurements			Width								
			CN	30		36		40		50	
			DLO	30 9/16	(776)	36 9/16	(929)	42 9/16	(1081)	56 9/16	(1437)
CN	DLO Height	Square Feet (Square Meters)									
20	8 5/16 (211)	1.76	(0.16)	2.11	(0.20)	2.46	(0.23)	3.26	(0.30)		
26	11 5/16 (287)	2.87	(0.27)	2.87	(0.27)	3.34	(0.31)	4.44	(0.41)		
30	14 5/16 (363)	3.63	(0.34)	3.63	(0.34)	4.23	(0.39)	5.62	(0.52)		
36	17 5/16 (440)	4.39	(0.41)	4.39	(0.41)	5.12	(0.48)	6.80	(0.63)		
40	20 5/16 (516)	5.16	(0.48)	5.16	(0.48)	6.00	(0.56)	7.98	(0.74)		
46	23 5/16 (592)	5.92	(0.55)	5.92	(0.55)	6.89	(0.64)	9.16	(0.85)		
50	26 5/16 (668)	6.68	(0.62)	6.68	(0.62)	7.78	(0.72)	10.33	(0.96)		
56	29 5/16 (744)	7.44	(0.69)	7.44	(0.69)	8.66	(0.80)	11.51	(1.07)		
60	32 5/16 (821)	8.20	(0.76)	8.20	(0.76)	9.55	(0.89)	12.69	(1.18)		

All Ultrex Sliding Window Transom Daylight Measurements			Width								
			CN	16		20		26		28	
			DLO	12 9/16	(07)	18 9/16	(471)	24 9/16	(624)	26 9/16	(675)
CN	DLO Height	Square Feet (Square Meters)									
10	6 9/16 (167)	0.57	(0.05)	0.85	(0.08)	1.12	(0.10)	1.21	(0.11)		
16	12 9/16 (319)	1.10	(0.10)	1.62	(0.15)	2.14	(0.20)	2.32	(0.22)		

All Ultrex Sliding Window Transom Daylight Measurements			Width								
			CN	30		36		40		50	
			DLO	30 9/16	(776)	36 9/16	(929)	42 9/16	(1081)	54 9/16	(1386)
CN	DLO Height	Square Feet (Square Meters)									
10	6 9/16 (167)	1.39	(0.13)	1.67	(0.15)	1.94	(0.18)	2.49	(0.23)		
16	12 9/16 (319)	2.67	(0.25)	3.19	(0.30)	3.71	(0.34)	4.76	(0.44)		

All Ultrex Single Hung

Minimum and Maximum Guidelines

Minimum and Maximum Inputs												
Unit Type	Sash Configuration/ Call Number	Min Width		Min Height		Max Width		Max Height		Glass Size		
		in	mm	in	mm	in	mm	in	mm	Sash Size	Sq. Ft.	Sq. Meters
IFSH	Equal	17 1/2	(445)	23 1/2	(597)	47 1/2	(1207)	77 1/2	(1969)	regular	11.0	1.0
	Call Number	1620				4066						
	Un-Equal	17 1/2	(445)	29 1/2	(749)	47 1/2	(1207)	77 1/2	(1969)	Small	4.4	0.4
	Call Number	1626				4066				Large		
IFSLP	-	17 1/2	(445)	23 1/2	(597)	59 1/2	(1511)	71 1/2	(1816)	regular	26.2	2.4
	Call Number	1620				5060						
IFSLT	-	17 1/2	(445)	11 1/2	(292)	59 1/2	(1511)	23 1/2	(597)	regular	7.6	0.7
	Call Number	1610				5020						

All Ultrex Single Hung

Certified Sizes and Rating

Product	Air Tested to PSF	Water Tested to psf	Design Pressure (DP)	Certification Rating	Max Overall Width		Max Overall Height	
					in	mm	in	mm
Integrity All Ultrex Single Hung	1.57	7.5	50	LC-PG50-H	29 1/2	(749)	59 1/2	(1511)
Integrity All Ultrex Single Hung	1.57	6.0	40	LC-PG40-H	29 1/2	(749)	77 11/16	(1973)
Integrity All Ultrex Single Hung	1.57	7.5	50	LC-PG50-H	35 1/2	(902)	59 1/2	(1511)
Integrity All Ultrex Single Hung	1.57	6.0	40	LC-PG40-H	35 1/2	(902)	77 11/16	(1973)
Integrity All Ultrex Single Hung	1.57	6.0	40	LC-PG40-H	41 1/2	(1054)	65 1/2	(1664)
Integrity All Ultrex Single Hung	1.57	7.5	50	LC-PG50-H	47 1/2	(1207)	47 1/2	(1207)
Integrity All Ultrex Single Hung	1.57	6.0	40	LC-PG40-H	47 1/2	(1207)	59 1/2	(1511)
Integrity All Ultrex Single Hung	1.57	4.6	30	LC-PG30-H	47 1/2	(1207)	77 11/16	(1973)
Integrity All Ultrex Single Hung - Cottage	1.57	4.6	30	LC-PG30-H	29 1/2	(749)	71 1/2	(1816)
Integrity All Ultrex Single Hung - Cottage	1.57	4.6	25	LC-PG25-H	29 1/2	(749)	77 1/2	(1969)
Integrity All Ultrex Single Hung - Cottage	1.57	4.6	30	LC-PG30-H	35 1/2	(902)	71 1/2	(1816)
Integrity All Ultrex Single Hung - Cottage	1.57	3.8	25	LC-PG25-H	47 1/2	(1207)	77 1/2	(1969)
Integrity All Ultrex Single Hung - Reverse Cottage	1.57	4.6	30	LC-PG30-H	29 1/2	(749)	71 1/2	(1816)
Integrity All Ultrex Single Hung - Reverse Cottage	1.57	4.6	25	LC-PG25-H	29 1/2	(749)	77 1/2	(1969)
Integrity All Ultrex Single Hung - Reverse Cottage	1.57	4.6	30	LC-PG30-H	35 1/2	(902)	71 1/2	(1816)
Integrity All Ultrex Single Hung - Reverse Cottage	1.57	3.8	25	LC-PG25-H	47 1/2	(1207)	77 1/2	(1969)
Integrity All Ultrex Sliding Fixed Window	1.57	7.5	50	LC-PG50-FW	59 1/2	(1511)	71 1/2	(1816)

All Ultrex Single Hung

Measurement Conversions - Operator

All Ultrex Single/Double Hung Inputs					
Unit Measurements		Width		Height	
From	To				
Rough Opening		in	mm	in	mm
Masonry Opening	Rough Opening	0	(0)	+1/4	(6)
OM of Frame	Rough Opening	+1/2	(13)	+1/2	(13)
J-Channel OM	Rough Opening	-3/4	(19)	-3/4	(19)
Daylight Opening	Rough Opening	+5 7/16	(138)	+7 3/8	(187)
Masonry Opening	Inside Opening	-1/8	(3)	0	(0)
OM of Frame	Inside Opening	+3/8	(10)	+1/4	(6)
J-Channel OM	Inside Opening	-7/8	(22)	-1	(25)
Daylight Opening	Inside Opening	+5 5/16	(135)	+7 1/8	(181)
Frame		in	mm	in	mm
Daylight Opening	OM of Frame	+4 15/16	(125)	+6 7/8	(175)
Top Sash (equal sash)		in	mm	in	mm
OM of Frame	OM of Top Sash	-2 1/4	(57)	-3/4	(19)
Daylight Opening	OM of Top Sash	+2 11/16	(68)	+2 11/16	(68)
Bottom Sash (equal sash)		in	mm	in	mm
OM of Frame	OM of Bottom Sash	-2 1/4	(57)	-3/4	(19)
Daylight Opening	OM of Bottom Sash	+2 11/16	(68)	+2 11/16	(68)
Top Sash (Cottage Height)		in	mm	in	mm
OM of Frame	OM of Top Sash	-2 1/4	(57)	-9/32	(7)
Daylight Opening	OM of Top Sash	+2 11/16	(68)	+2 11/16	(68)
Bottom Sash (Cottage Height)		in	mm	in	mm
OM of Frame	OM of Bottom Sash	-2 1/4	(57)	-1 7/32	(31)
Daylight Opening	OM of Bottom Sash	+2 11/16	(68)	+2 11/16	(68)
Top Sash (Oriel Height)		in	mm	in	mm
OM of Frame	OM of Top Sash	-2 1/4	(57)	-1 7/32	(31)
Daylight Opening	OM of Top Sash	+2 11/16	(68)	+2 11/16	(68)
Bottom Sash (Oriel Height)		in	mm	in	mm
OM of Frame	OM of Bottom Sash	-2 1/4	(57)	-9/32	(7)
Daylight Opening	OM of Bottom Sash	+2 11/16	(68)	+2 11/16	(68)
Glass		in	mm	in	mm
Daylight Opening	Glass	+1 7/64	(28)	+1 7/64	(28)
Screen		in	mm	in	mm
OM of Frame	OM of Screen	-1 23/32	(44)	-1 9/16	(40)
Daylight Opening	OM of Screen	+3 7/32	(82)	+5 5/16	(135)
Half Screen		in	mm	in	mm
OM of Frame	OM of Screen	-1 23/32	(44)	-5/8	(16)
Daylight Opening	OM of Screen	+3 7/32	(82)	+2 13/16	(72)
Oriel Screen		in	mm	in	mm
OM of Frame	OM of Screen	-1 23/32	(44)	-5/32	(4)
Daylight Opening	OM of Screen	+3 7/32	(82)	+2 13/16	(72)
Cottage Screen		in	mm	in	mm
OM of Frame	OM of Screen	-1 23/32	(44)	-1 3/32	(28)
Daylight Opening	OM of Screen	+3 7/32	(82)	+2 13/16	(72)

All Ultrex Single Hung

Measurement Conversions - Transom and Picture

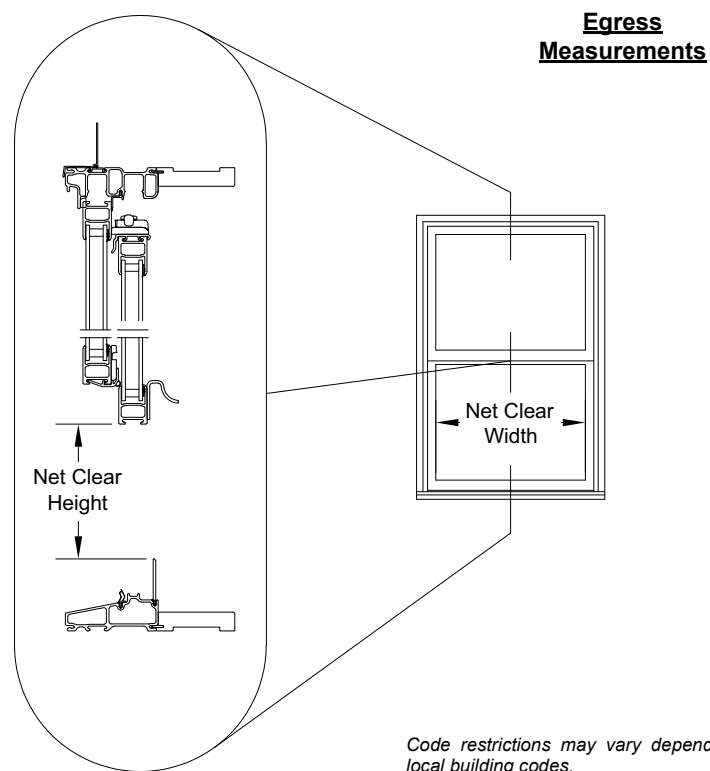
All Ultrex Sliding Window Transom					
Unit Measurements		Width		Height	
From	To				
Rough Opening		in	mm	in	mm
Masonry Opening	Rough Opening	0	(00)	+1/4	(6)
OM of Frame	Rough Opening	+1/2	(13)	+1/2	(13)
J-Channel OM	Rough Opening	-3/4	19	-3/4	(19)
Daylight Opening	Rough Opening	+5 7/16	(138)	+5 7/16	(138)
Masonry Opening	Inside Opening	-1/8	(3)	0	(0)
OM of Frame	Inside Opening	+3/8	(10)	+1/4	(6)
J-Channel OM	Inside Opening	-7/8	(22)	-1	(25)
Daylight Opening	Inside Opening	+5 5/16	(135)	+5 3/16	(132)
Frame		in	mm	in	mm
Daylight Opening	OM of Frame	+4 15/16	(125)	+4 15/16	(125)
Sash		in	mm	in	mm
OM of Frame	OM of Sash	-2 1/4	(57)	-2 1/4	(57)
Daylight Opening	OM of Sash	+2 11/16	(68)	+2 11/16	(68)
Glass		in	mm	in	mm
Daylight Opening	Glass	+1 7/64	(28)	+1 7/64	(28)

All Ultrex Sliding Window Picture					
Unit Measurements		Width		Height	
From	To				
Rough Opening		in	mm	in	mm
Masonry Opening	Rough Opening	0	(0)	+1/4	(6)
OM of Frame	Rough Opening	+1/2	(13)	+1/2	(13)
J-Channel OM	Rough Opening	-3/4	(19)	-3/4	(19)
Daylight Opening	Rough Opening	+5 7/16	(138)	+5 7/16	(138)
Masonry Opening	Inside Opening	-1/8	(3)	0	(0)
OM of Frame	Inside Opening	+3/8	(10)	+1/4	(6)
J-Channel OM	Inside Opening	-7/8	(22)	-1	(25)
Daylight Opening	Inside Opening	+5 5/16	(135)	+5 3/16	(132)
Frame		in	mm	in	mm
Daylight Opening	OM of Frame	+4 15/16	(125)	+4 15/16	(125)
Sash		in	mm	in	mm
OM of Frame	OM of Sash	-2 1/4	(57)	-2 1/4	(57)
Daylight Opening	OM of Sash	+2 11/16	(68)	+2 11/16	(68)
Glass		in	mm	in	mm
Daylight Opening	Glass	+1 7/64	(28)	+1 7/64	(28)

All Ultrex Single Hung

Egress Measurements

Scale: NOT TO SCALE



Code restrictions may vary depending on your local building codes.

For additional information contact your local code department for IBC and IRC requirements.

Single/Double Hung Egress Calculations for Custom Size Units		
Minimum Value for Net Clear Opening	Desired Dimension	Formula
20 Inch Width	Egress Opening Width (inches)	= Frame OM Width - 2.936
24 Inch Height	Egress Opening Height (inches)	= (Frame OM Height - 4.656) x SR)-2.215
5.7 Square Feet	Egress Opening Area (Sq Ft)	= (Egress Width x Egress Height) / 144
SR = the sash ratio of the smallest sash to overall glass height		

All Ultrex Single Hung

Sizing and Mulling Guidelines

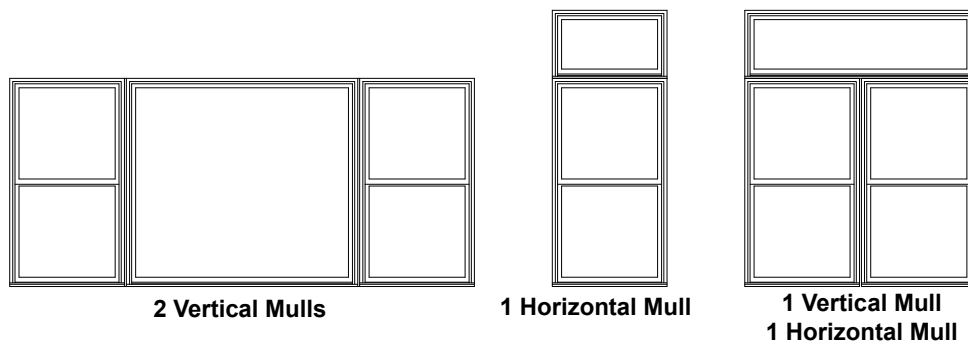
Factory Muller Assemblies

- Multiple assemblies can be factory mulled
 - **MAXIMUM ASSEMBLY UP TO 6W1H:**
Rough Opening: 114" (2896) x 78" (1981), Inside Opening: 113 7/8" (2892) x 77 3/4" (1975)
 - **MAXIMUM ROUGH OPENING ASSEMBLY UP TO 5W5H:**
Rough Opening: 96" (2438) x 96" (2438), Inside Opening: 95 7/8" (2435) x 95 3/4" (2432)

Calculating Total Opening for Assemblies

- **WIDTH:**
 - Rough Opening: Frame Width = ADD Frame Widths + 1/2" (13) per mull + 1/2" (13), Inside Opening: Frame Width = ADD Frame Widths + 1/2" (13) per mull + 3/8" (10).
 - Tolerance = 1/4" (6) from frame to Rough Opening at left and right jamb, 3/16" (5) from frame to Inside Opening at left and right jamb.
- **HEIGHT:**
 - Rough Opening Frame Height = ADD Frame Heights + 1/2" (13) per mull + 1/2" (13), Inside Opening: Frame Width = ADD Frame Widths + 1/2" (13) per mull + 1/4" (6).
 - Tolerance = 1/4" (6) from frame to Rough Opening at left and right jamb, 1/4" (6) from frame to Inside Opening at left and right jamb.

Field mull kits are available. Mulling beyond limitations is not recommended.



All Ultrex Single Hung

Standard Unit Measurement: Equal Sash

Single Hung Unit Measurements														
Width														
CN	Masonry Opening		Rough Opening		Inside Opening		Frame Size		Sash Size		Screen OM		Daylight Opening	
	ft - in	mm	ft - in	mm	ft - in	mm	ft - in	mm	ft - in	mm	ft - in	mm	in	mm
16	1-6	(457)	1-6	(457)	1-5 7/8	(454)	1-5 1/2	(445)	1-3 1/4	(387)	1-3 25/32	(401)	12 9/16	(319)
20	2-0	(610)	2-0	(610)	1-11 7/8	(606)	1-11 1/2	(597)	1-9 1/4	(540)	1-9 25/32	(553)	18 9/16	(471)
26	2-6	(762)	2-6	(762)	2-5 7/8	(759)	2-5 1/2	(749)	2-3 1/4	(692)	2-3 25/32	(706)	24 9/16	(624)
28	2-8	(813)	2-8	(813)	2-7 7/8	(810)	2-7 1/2	(800)	2-5 1/4	(743)	2-5 25/32	(756)	26 9/16	(675)
30	3-0	(914)	3-0	(914)	2-11 7/8	(911)	2-11 1/2	(902)	2-9 1/4	(845)	2-9 25/32	(858)	30 9/16	(776)
36	3-6	(1067)	3-6	(1067)	3-5 7/8	(1064)	3-5 1/2	(1054)	3-3 1/4	(997)	3-3 25/32	(1010)	36 9/16	(929)
40	4-0	(1219)	4-0	(1219)	3-11 7/8	(1216)	3-11 1/2	(1207)	3-9 1/4	(1149)	3-9 25/32	(1163)	42 9/16	(1081)

Single Hung Unit Measurements														
Height														
CN	Masonry Opening		Rough Opening		Inside Opening		Frame Size		Sash Size		Screen OM		Daylight Opening	
	ft - in	mm	ft - in	mm	ft - in	mm	ft - in	mm	ft - in	mm	ft - in	mm	in	mm
20	1-11 3/4	(603)	2-0	(610)	1-11 3/4	(603)	1-11 1/2	(597)	0-11	(279)	1-9 15/16	(557)	8 5/16	(211)
26	2-5 3/4	(756)	2-6	(762)	2-5 3/4	(756)	2-5 1/2	(749)	1-2	(356)	2-3 15/16	(710)	11 5/16	(287)
30	2-11 3/4	(908)	3-0	(914)	2-11 3/4	(908)	2-11 1/2	(902)	1-5	(432)	2-9 15/16	(862)	14 5/16	(363)
36	3-5 3/4	(1060)	3-6	(1067)	3-5 3/4	(1060)	3-5 1/2	(1054)	1-8	(508)	3-3 15/16	(1014)	17 5/16	(440)
40	3-11 3/4	(1213)	4-0	(1219)	3-11 3/4	(1213)	3-11 1/2	(1207)	1-11	(584)	3-9 15/16	(1167)	20 5/16	(516)
46	4-5 3/4	(1365)	4-6	(1372)	4-5 3/4	(1365)	4-5 1/2	(1359)	2-2	(660)	4-3 15/16	(1319)	23 5/16	(592)
50	4-11 3/4	(1518)	5-0	(1524)	4-11 3/4	(1518)	4-11 1/2	(1511)	2-5	(737)	4-9 15/16	(1472)	26 5/16	(668)
56	5-5 3/4	(1670)	5-6	(1676)	5-5 3/4	(1670)	5-5 1/2	(1664)	2-8	(813)	5-3 15/16	(1624)	29 5/16	(744)
60	5-11 3/4	(1822)	6-0	(1829)	5-11 3/4	(1822)	5-11 1/2	(1816)	2-11	(889)	5-9 15/16	(1776)	32 5/16	(821)

NOTE: [All Ultrex Single Hung Elevations](http://marvin.com) can be found on marvin.com, single hung, sizes and specs.

All Ultrex Single Hung

Standard Unit Measurement: Cottage Sash

Single Hung with Cottage Sash Style Unit Measurements														
Width														
CN	Masonry Opening		Rough Opening		Inside Opening		Frame Size		Sash Size		Screen OM		Daylight Opening	
	ft - in	mm	ft - in	mm	ft - in	mm	ft - in	mm	ft - in	mm	ft - in	mm	in	mm
16	1-6	(457)	1-6	(457)	1-5 7/8	(454)	1-5 1/2	(445)	1-3 1/4	(387)	1-3 25/32	(401)	12 9/16	(319)
20	2-0	(610)	2-0	(610)	1-11 7/8	(606)	1-11 1/2	(597)	1-9 1/4	(540)	1-9 25/32	(553)	18 9/16	(471)
26	2-6	(762)	2-6	(762)	2-5 7/8	(759)	2-5 1/2	(749)	2-3 1/4	(692)	2-3 25/32	(706)	24 9/16	(624)
28	2-8	(813)	2-8	(813)	2-7 7/8	(810)	2-7 1/2	(800)	2-5 1/4	(743)	2-5 25/32	(756)	26 9/16	(675)
30	3-0	(914)	3-0	(914)	2-11 7/8	(911)	2-11 1/2	(902)	2-9 1/4	(845)	2-9 25/32	(858)	30 9/16	(776)
36	3-6	(1067)	3-6	(1067)	3-5 7/8	(1064)	3-5 1/2	(1054)	3-3 1/4	(997)	3-3 25/32	(1010)	36 9/16	(929)
40	4-0	(1219)	4-0	(1219)	3-11 7/8	(1216)	3-11 1/2	(1207)	3-9 1/4	(1149)	3-9 25/32	(1163)	42 9/16	(1081)

Single Hung with Cottage Sash Style Unit Measurements																		
Height																		
CN	Masonry Opening		Rough Opening		Inside Opening		Frame Size		Top Sash Size		Bottom Sash Size		Screen OM		Daylight Opening Top Sash		Daylight Opening Bottom Sash	
	ft - in	mm	ft - in	mm	ft - in	mm	ft - in	mm	ft - in	mm	ft - in	mm	ft - in	mm	in	mm	in	mm
26	2-5 3/4	(756)	2-6	(762)	2-5 3/4	(756)	2-5 1/2	(749)	0-11 33/64	(292)	1-4 31/64	(419)	1-4 39/64	(422)	8 53/64	(224)	13 51/64	(350)
30	2-11 3/4	(908)	3-0	(914)	2-11 3/4	(908)	2-11 1/2	(902)	1-1 59/64	(353)	1-8 5/64	(510)	1-8 13/64	(513)	11 15/64	(285)	17 25/64	(442)
36	3-5 3/4	(1060)	3-6	(1067)	3-5 3/4	(1060)	3-5 1/2	(1054)	1-4 5/16	(414)	1-11 11/16	(602)	1-11 13/16	(605)	13 5/8	(346)	20 63/64	(533)
40	3-11 3/4	(1213)	4-0	(1219)	3-11 3/4	(1213)	3-11 1/2	(1207)	1-6 23/32	(475)	2-3 9/32	(693)	2-3 13/32	(696)	16 1/32	(407)	24 19/32	(625)
46	4-5 3/4	(1365)	4-6	(1372)	4-5 3/4	(1365)	4-5 1/2	(1359)	1-9 7/64	(536)	2-6 57/64	(784)	2-7 1/64	(788)	18 7/16	(468)	28 3/16	(716)
50	4-11 3/4	(1518)	5-0	(1524)	4-11 3/4	(1518)	4-11 1/2	(1511)	1-11 33/64	(597)	2-10 31/64	(876)	2-10 39/64	(879)	20 53/64	(529)	31 51/64	(807)
56	5-5 3/4	(1670)	5-6	(1676)	5-5 3/4	(1670)	5-5 1/2	(1664)	2-1 59/64	(658)	3-2 5/64	(967)	3-2 13/64	(971)	23 5/16	(592)	35 5/16	(897)
60	5-11 3/4	(1822)	6-0	(1829)	5-11 3/4	(1822)	5-11 1/2	(1816)	2-4 5/16	(719)	3-5 11/16	(1059)	3-5 13/16	(1062)	25 5/8	(651)	39	(990)
66	6-5 3/4	(1975)	6-6	(1981)	6-5 3/4	(1975)	6-5 1/2	(1969)	2-6 23/32	(780)	3-9 9/32	(1150)	3-9 13/32	(1153)	28 1/32	(712)	42 19/32	(1082)

NOTE: [All Ultrex Single Hung Elevations](http://marvin.com) can be found on marvin.com, single hung, sizes and specs.

All Ultrex Single Hung

Standard Unit Measurement: Reverse Cottage Sash

Single Hung with Reverse Cottage Sash Style Unit Measurements														
Width														
CN	Masonry Opening		Rough Opening		Inside Opening		Frame Size		Sash Size		Screen OM		Daylight Opening	
	ft - in	mm	ft - in	mm	ft - in	mm	ft - in	mm	ft - in	mm	ft - in	mm	in	mm
16	1-6	(457)	1-6	(457)	1-5 7/8	(454)	1-5 1/2	(445)	1-3 1/4	(387)	1-3 25/32	(401)	12 9/16	(319)
20	2-0	(610)	2-0	(610)	1-11 7/8	(606)	1-11 1/2	(597)	1-9 1/4	(540)	1-9 25/32	(553)	18 9/16	(471)
26	2-6	(762)	2-6	(762)	2-5 7/8	(759)	2-5 1/2	(749)	2-3 1/4	(692)	2-3 25/32	(706)	24 9/16	(624)
28	2-8	(813)	2-8	(813)	2-7 7/8	(810)	2-7 1/2	(800)	2-5 1/4	(743)	2-5 25/32	(756)	26 9/16	(675)
30	3-0	(914)	3-0	(914)	2-11 7/8	(911)	2-11 1/2	(902)	2-9 1/4	(845)	2-9 25/32	(858)	30 9/16	(776)
36	3-6	(1067)	3-6	(1067)	3-5 7/8	(1064)	3-5 1/2	(1054)	3-3 1/4	(997)	3-3 25/32	(1010)	36 9/16	(929)
40	4-0	(1219)	4-0	(1219)	3-11 7/8	(1216)	3-11 1/2	(1207)	3-9 1/4	(1149)	3-9 25/32	(1163)	42 9/16	(1081)

Single Hung with Reverse Cottage Sash Style Unit Measurements																		
Height																		
CN	Masonry Opening		Rough Opening		Inside Opening		Frame Size		Top Sash Size		Bottom Sash Size		Screen OM	Daylight Opening Top Sash	Daylight Opening Bottom Sash			
	ft - in	mm	ft - in	mm	ft - in	mm	ft - in	mm	ft - in	mm	ft - in	mm	ft - in	mm	in	mm		
26	2-5 3/4	(756)	2-6	(762)	2-5 3/4	(756)	2-5 1/2	(749)	1-4 31/64	(419)	0-11 33/64	(292)	0-11 41/64	(296)	13 51/64	(350)	8 53/64	(224)
30	2-11 3/4	(908)	3-0	(914)	2-11 3/4	(908)	2-11 1/2	(902)	1-8 5/64	(510)	1-1 59/64	(353)	1-2 3/64	(357)	17 25/64	(442)	11 15/64	(285)
36	3-5 3/4	(1060)	3-6	(1067)	3-5 3/4	(1060)	3-5 1/2	(1054)	1-11 11/16	(602)	1-4 5/16	(414)	1-4 7/16	(418)	20 63/64	(533)	13 5/8	(346)
40	3-11 3/4	(1213)	4-0	(1219)	3-11 3/4	(1213)	3-11 1/2	(1207)	2-3 9/32	(693)	1-6 23/32	(475)	1-6 27/32	(479)	24 19/32	(625)	16 1/32	(407)
46	4-5 3/4	(1365)	4-6	(1372)	4-5 3/4	(1365)	4-5 1/2	(1359)	2-6 57/64	(784)	1-9 7/64	(536)	1-9 15/64	(540)	28 3/16	(716)	18 7/16	(468)
50	4-11 3/4	(1518)	5-0	(1524)	4-11 3/4	(1518)	4-11 1/2	(1511)	2-10 31/64	(876)	1-11 33/64	(597)	1-11 41/64	(600)	31 51/64	(807)	20 53/64	(529)
56	5-5 3/4	(1670)	5-6	(1676)	5-5 3/4	(1670)	5-5 1/2	(1664)	3-2 5/64	(967)	2-1 59/64	(658)	2-2 3/64	(661)	35 5/16	(897)	23 5/16	(592)
60	5-11 3/4	(1822)	6-0	(1829)	5-11 3/4	(1822)	5-11 1/2	(1816)	3-5 11/16	(1059)	2-4 5/16	(719)	2-4 7/16	(722)	39	(990)	25 5/8	(651)
66	6-5 3/4	(1975)	6-6	(1981)	6-5 3/4	(1975)	6-5 1/2	(1969)	3-9 9/32	(1150)	2-6 23/32	(780)	2-6 27/32	(783)	42 19/32	(1082)	28 1/32	(712)

NOTE: [All Ultrex Single Hung Elevations](http://marvin.com) can be found on marvin.com, single hung, sizes and specs.

All Ultrex Single Hung

Standard Unit Measurement: Sliding Window Picture

Sliding Window Picture Unit Measurements												
Width												
CN	Masonry Opening		Rough Opening		Inside Opening		Frame Size		Sash Size		Daylight Opening	
	ft - in	mm	ft - in	mm	ft - in	mm	ft - in	mm	ft - in	mm	in	mm
16	1-6	(457)	1-6	(457)	1-5 7/8	(454)	1-5 1/2	(445)	1-3 1/4	(387)	12 9/16	(319)
20	2-0	(610)	2-0	(610)	1-11 7/8	(606)	1-11 1/2	(597)	1-9 1/4	(540)	18 9/16	(471)
26	2-6	(762)	2-6	(762)	2-5 7/8	(759)	2-5 1/2	(749)	2-3 1/4	(692)	24 9/16	(624)
28	2-8	(813)	2-8	(813)	2-7 7/8	(810)	2-7 1/2	(800)	2-5 1/4	(743)	26 9/16	(675)
30	3-0	(914)	3-0	(914)	2-11 7/8	(911)	2-11 1/2	(902)	2-9 1/4	(845)	30 9/16	(776)
36	3-6	(1067)	3-6	(1067)	3-5 7/8	(1064)	3-5 1/2	(1054)	3-3 1/4	(997)	36 9/16	(929)
40	4-0	(1219)	4-0	(1219)	3-11 7/8	(1216)	3-11 1/2	(1207)	3-9 1/4	(1149)	42 9/16	(1081)
50	5-0	(1524)	5-0	(1524)	4-11 7/8	(1521)	4-11 1/2	(1511)	4-9 1/4	(1454)	54 9/16	(1386)

Sliding Window Picture Unit Measurements												
Height												
CN	Masonry Opening		Rough Opening		Inside Opening		Frame Size		Sash Size		Daylight Opening	
	ft - in	mm	ft - in	mm	ft - in	mm	ft - in	mm	ft - in	mm	in	mm
20	1-11 3/4	(603)	2-0	(610)	1-11 3/4	(610)	1-11 1/2	(597)	1-9 1/4	(540)	18 9/16	(471)
26	2-5 3/4	(756)	2-6	(762)	2-5 3/4	(762)	2-5 1/2	(749)	2-3 1/4	(692)	24 9/16	(624)
30	2-11 3/4	(908)	3-0	(914)	2-11 3/4	(914)	2-11 1/2	(902)	2-9 1/4	(845)	30 9/16	(776)
36	3-5 3/4	(1060)	3-6	(1067)	3-5 3/4	(1067)	3-5 1/2	(1054)	3-3 1/4	(997)	36 9/16	(929)
40	3-11 3/4	(1213)	4-0	(1219)	3-11 3/4	(1219)	3-11 1/2	(1207)	3-9 1/4	(1149)	42 9/16	(1081)
46	4-5 3/4	(1365)	4-6	(1372)	4-5 3/4	(1372)	4-5 1/2	(1359)	4-3 1/4	(1302)	48 9/16	(1233)
50	4-11 3/4	(1518)	5-0	(1524)	4-11 3/4	(1524)	4-11 1/2	(1511)	4-9 1/4	(1454)	54 9/16	(1386)
56	5-5 3/4	(1670)	5-6	(1676)	5-5 3/4	(1676)	5-5 1/2	(1664)	5-3 1/4	(1607)	60 9/16	(1538)
60	5-11 3/4	(1822)	6-0	(1829)	5-11 3/4	(1829)	5-11 1/2	(1816)	5-9 1/4	(1759)	66 9/16	(1691)

NOTE: [All Ultrex Single Hung Elevations](http://marvin.com) can be found on marvin.com, single hung, sizes and specs.

All Ultrex Single Hung

Standard Unit Measurement: Sliding Window Transom

Sliding Window Transom Unit Measurements												
Width												
CN	Masonry Opening		Rough Opening		Inside Opening		Frame Size		Sash Size		Daylight Opening	
	ft - in	mm	ft - in	mm	ft - in	mm	ft - in	mm	ft - in	mm	in	mm
16	1-6	(457)	1-6	(457)	1-5 7/8	(454)	1-5 1/2	(445)	1-3 1/4	(387)	12 9/16	(319)
20	2-0	(610)	2-0	(610)	1-11 7/8	(606)	1-11 1/2	(597)	1-9 1/4	(540)	18 9/16	(471)
26	2-6	(762)	2-6	(762)	2-5 7/8	(759)	2-5 1/2	(749)	2-3 1/4	(692)	24 9/16	(624)
28	2-8	(813)	2-8	(813)	2-7 7/8	(810)	2-7 1/2	(800)	2-5 1/4	(743)	26 9/16	(675)
30	3-0	(914)	3-0	(914)	2-11 7/8	(911)	2-11 1/2	(902)	2-9 1/4	(845)	30 9/16	(776)
36	3-6	(1067)	3-6	(1067)	3-5 7/8	(1064)	3-5 1/2	(1054)	3-3 1/4	(997)	36 9/16	(929)
40	4-0	(1219)	4-0	(1219)	3-11 7/8	(1216)	3-11 1/2	(1207)	3-9 1/4	(1149)	42 9/16	(1081)
50	5-0	(1524)	5-0	(1524)	4-11 7/8	(1521)	4-11 1/2	(1511)	4-9 1/4	(1454)	54 9/16	(1386)

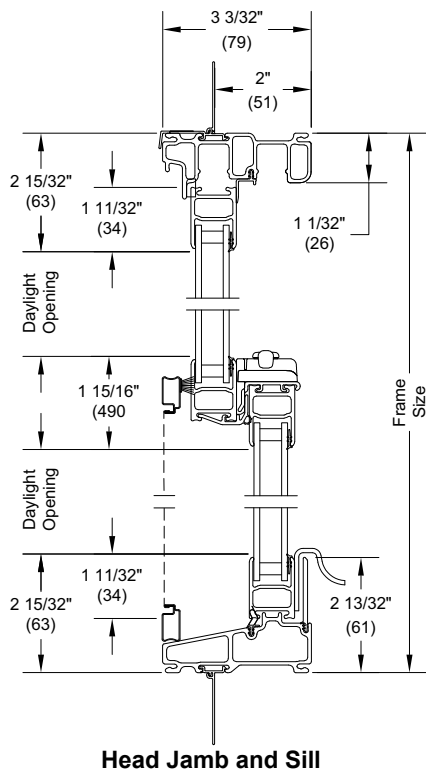
Sliding Window Transom Unit Measurements												
Height												
CN	Masonry Opening		Rough Opening		Inside Opening		Frame Size		Sash Size		Daylight Opening	
	ft - in	mm	ft - in	mm	ft - in	mm	ft - in	mm	ft - in	mm	in	mm
10	1-0 1/4	(311)	1-0	(305)	0-11 3/4	(298)	0-11 1/2	(292)	0-9 1/4	(235)	6 9/16	(167)
16	1-6 1/4	(464)	1-6	(457)	1-5 3/4	(451)	1-5 1/2	(445)	1-3 1/4	(387)	12 9/16	(319)
20	2-0 1/4	(616)	2-0	(610)	1-11 3/4	(603)	1-11 1/2	(597)	1-9 1/4	(540)	18 9/16	(471)

NOTE: [All Ultrex Single Hung Elevations](#) can be found on marvin.com, single hung, sizes and specs.

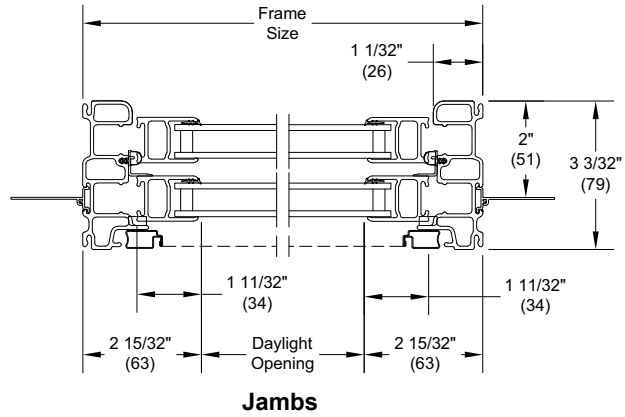
All Ultrex Single Hung

Section Details: Operator

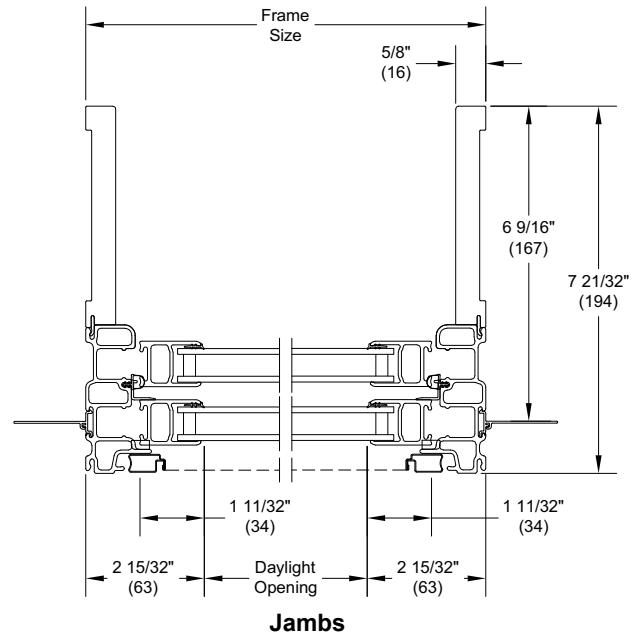
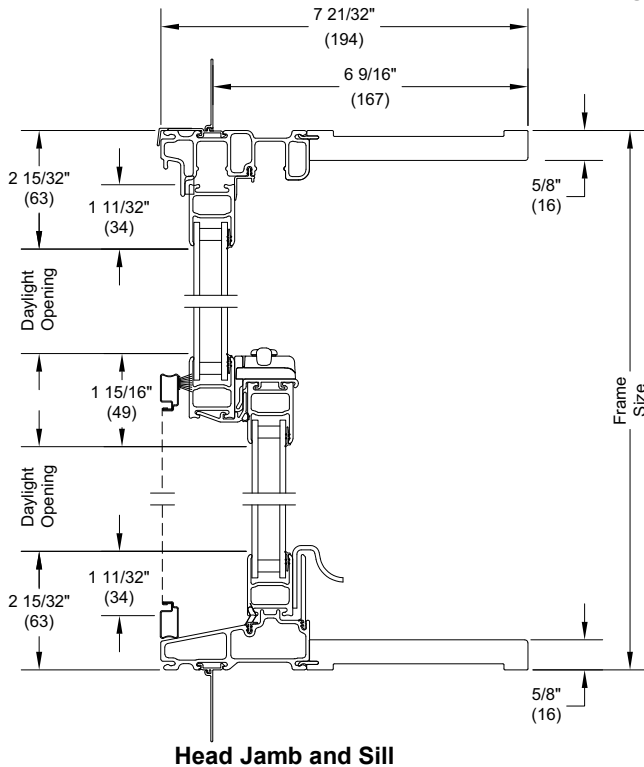
Scale: 3" = 1' 0"



Operating - 2" (51)



Operating - 6 9/16" (167)



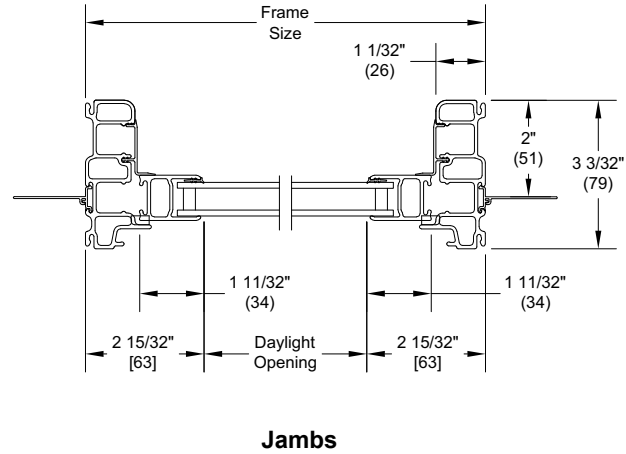
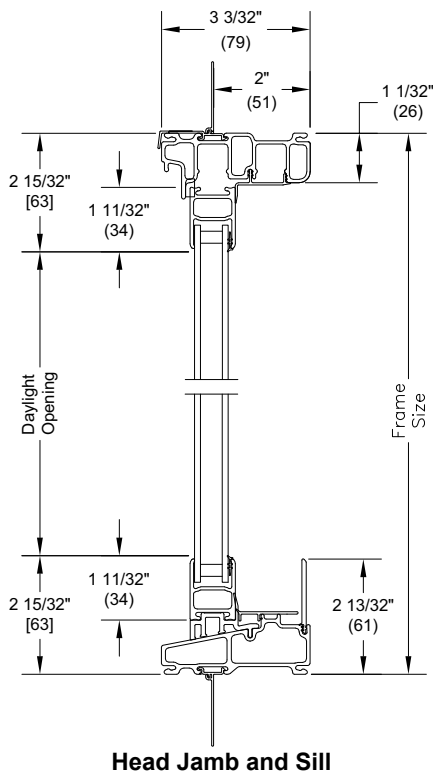
NOTE: Units also available with 4 9/16" jamb. Same jamb extension profile a 6 9/16" extension shown.

All Ultrex Single Hung

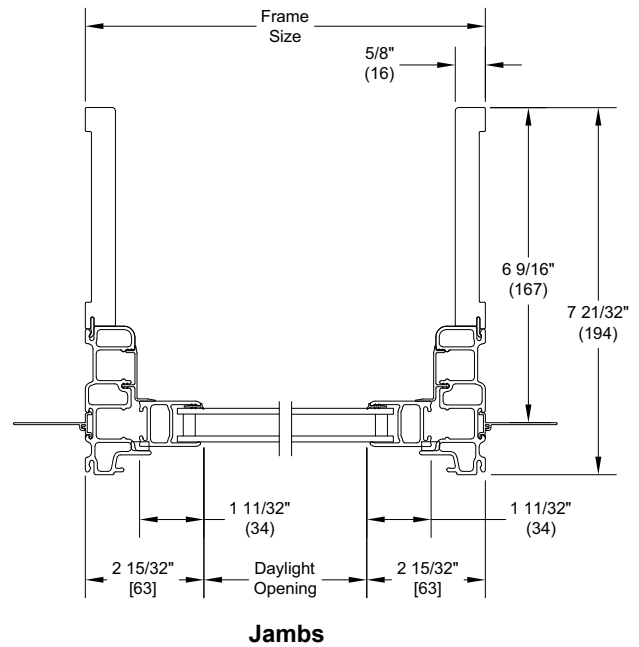
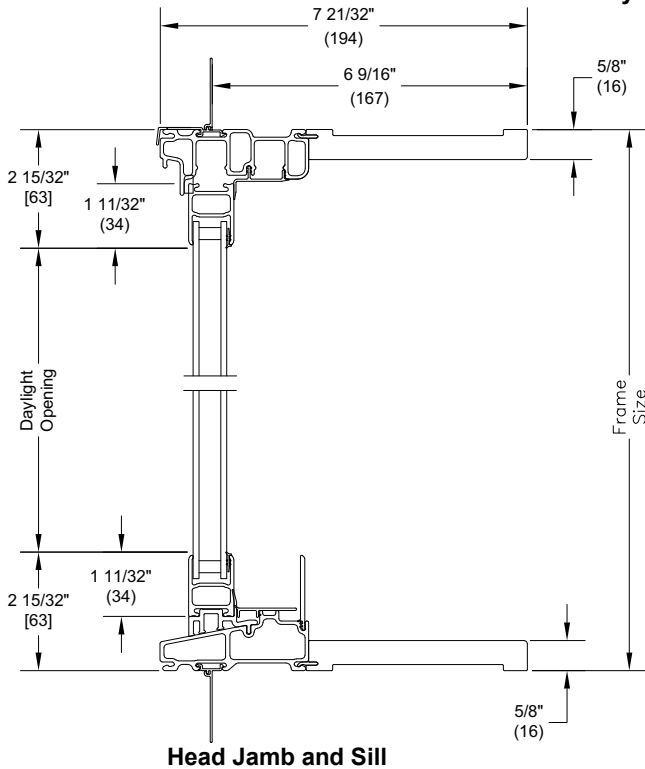
Section Details: Transom/Picture

Scale: 3" = 1' 0"

Stationary/Picture - 2" (51)



Stationary/Picture - 6 9/16" (167)

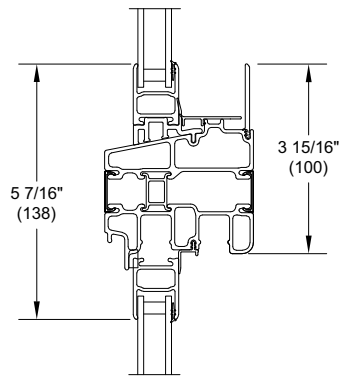


NOTE: Units also available with 4 9/16" jamb. Same jamb extension profile a 6 9/16" extension shown.

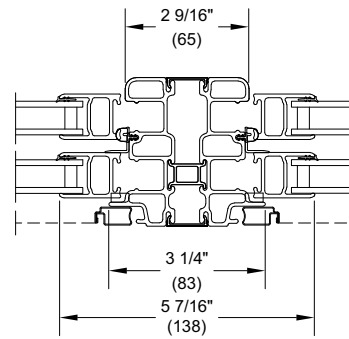
All Ultrex Single Hung

Section Details: Mullions

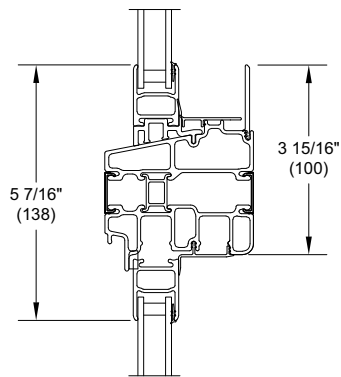
Scale: 3" = 1' 0"



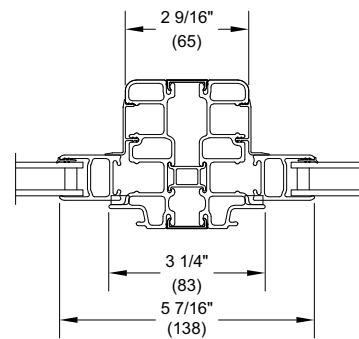
Horizontal Mullion
 IFSH to IFSLT/IFSLP



Vertical Mullion
 IFSH to IFSH



Horizontal Mullion
 IFSLP/IFSLT to IFSLP/IFSLT

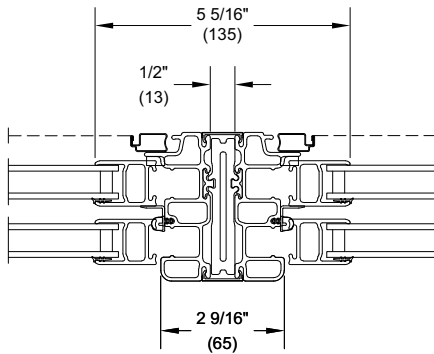


Vertical Mullion
 IFSLP/IFSLT to IFSLP/IFSLT

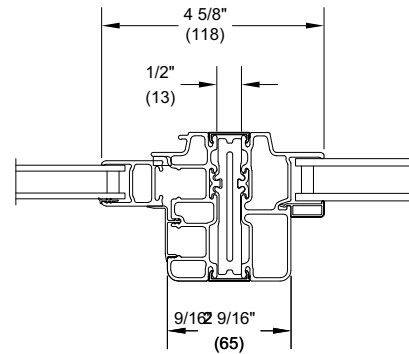
All Ultrex Single Hung

Section Details: Reinforced Mullions

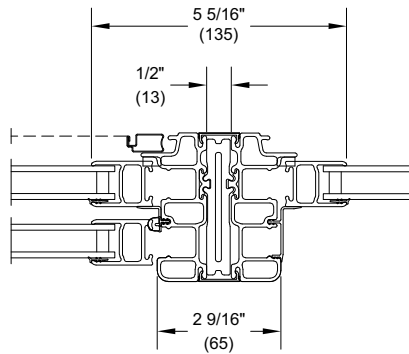
Scale: 3" = 1' 0"



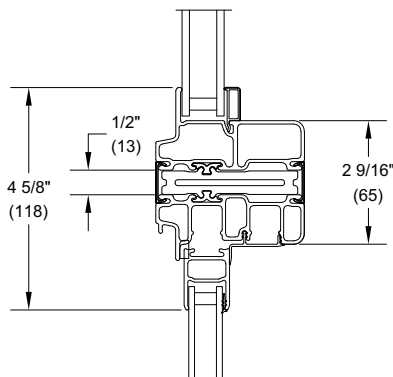
Vertical Mull
IFSH To IFSH



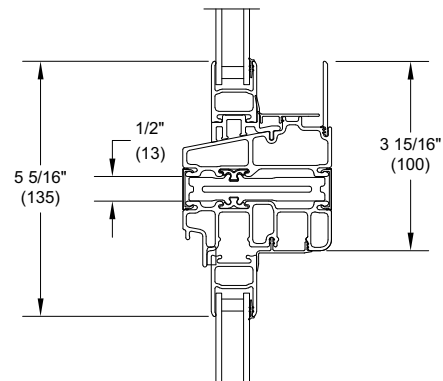
Vertical Mull
IFSH To IFDGP



Vertical Mull
IFSH To IFSLT/IFSLP



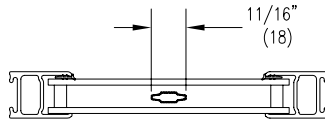
Horizontal Mull
IFSLP/IFSLT To IFDGP



Horizontal Mull
IFSLP/IFSLT To IFSLT/IFSLP

Section Details: Divided Lite Options

Divided Lite Options



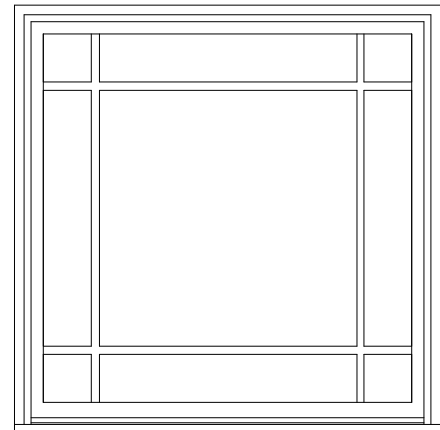
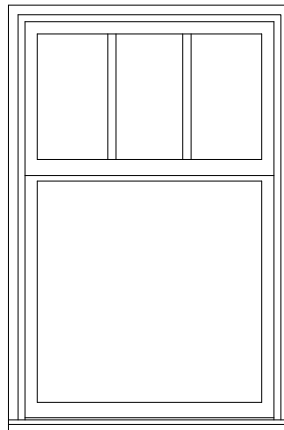
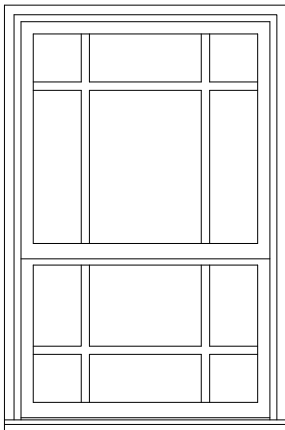
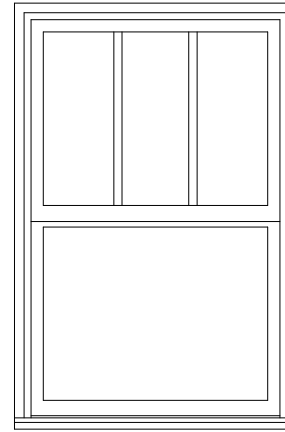
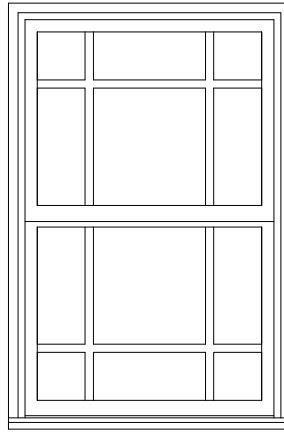
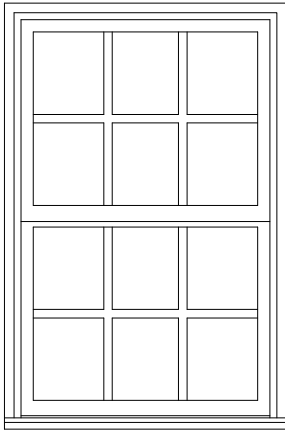
Aluminum Grille Between Glass

All Ultrex Single Hung Operators

GBGs are available in standard rectangular lite cuts, optional 2W2H lite pattern, or 6-lite Prairie cuts

GBG

NOTE: Prairie cut 6 lite per sash on Single Hung or 9 lite on picture unit.



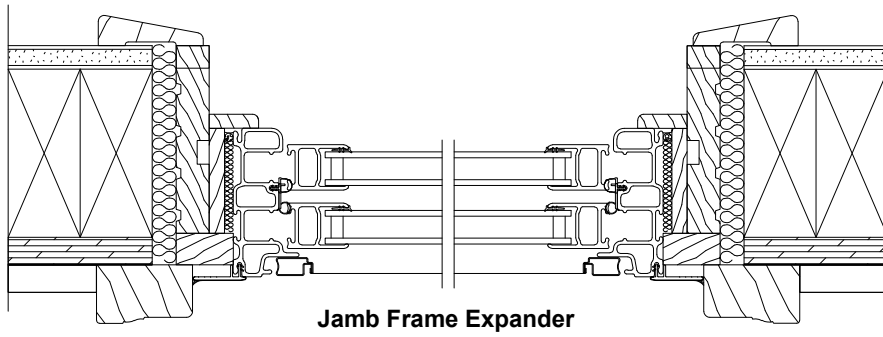
Conversions Formula:

$$\frac{\text{Total DLO} - \text{Total Bar Width}}{\text{Number of lites}} = \text{Individual DLO}$$

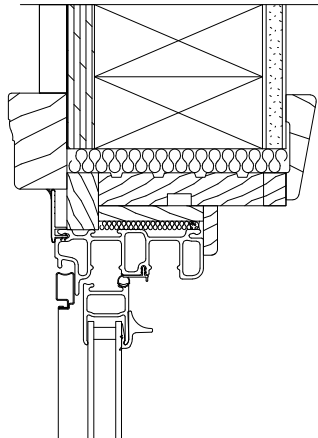
* Prairie lite cuts are not available in the following sizes due to size limitations.

IFSH call number 16 width
 IFSH call number 20 or 26 height

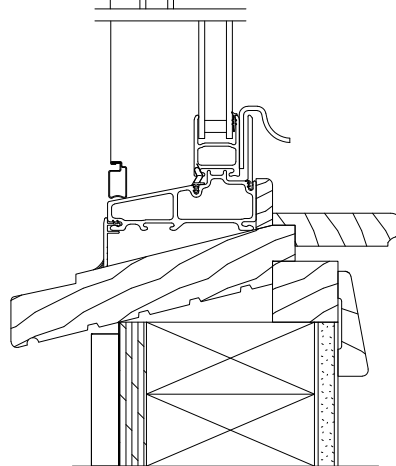
Installation Suggestions - Frame Expander



Head Jamb Frame Expander



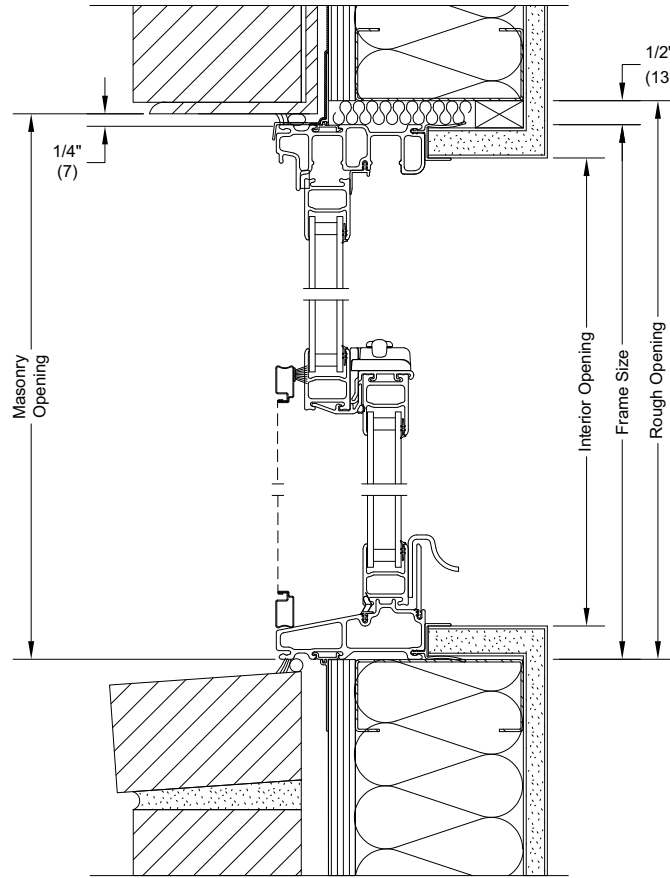
Sill Frame Expander



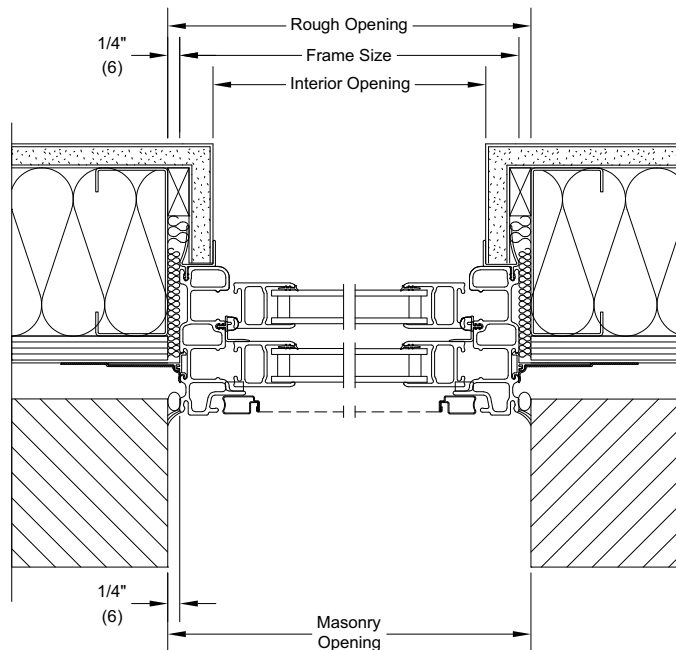
All Ultrex Single Hung

Installation Suggestions: Brick Veneer with Steel Frame Construction

Scale: 3" = 1' 0"



Head Jamb and Sill



Jambs

NOTE: Shown with optional sheet rock return. Picture unit installation similar.

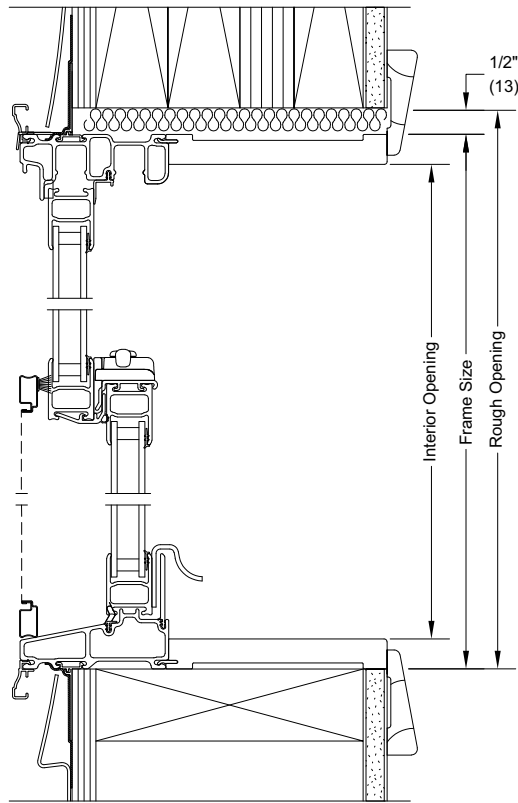
The above wall sections represent typical wall conditions, these detail are not intended as installation instructions.

Please refer to the installation instructions provided with the purchased units.

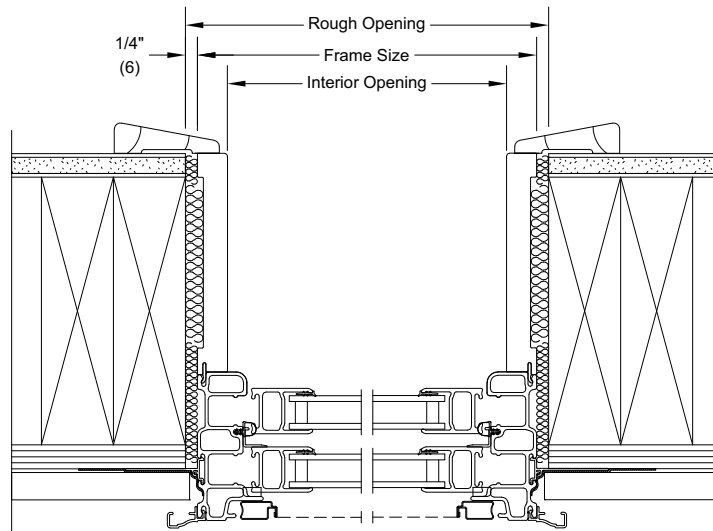
All Ultrex Single Hung

Installation Suggestions: Vinyl Siding with 2x6 Frame Construction

Scale: 3" = 1' 0"



Head Jamb and Sill



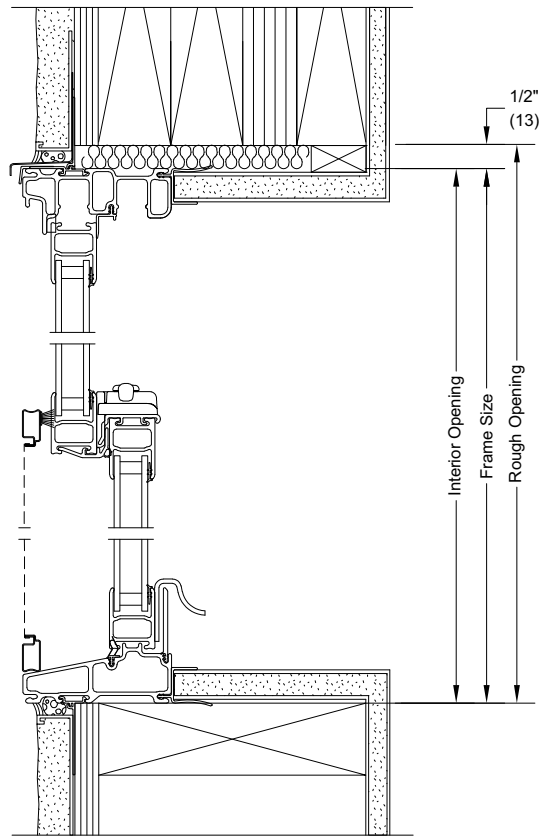
Jambs

*NOTE: Shown with optional jamb extension and J-channels. Picture unit installation similar.
 The above wall sections represent typical wall conditions, these detail are not intended as installation instructions.
 Please refer to the installation instructions provided with the purchased units.*

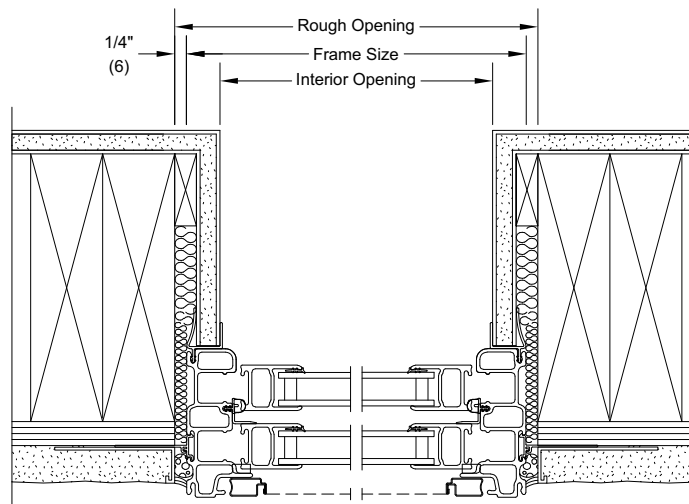
All Ultrex Single Hung

Installation Suggestions: Stucco with 2X6 Frame Construction

Scale: 3" = 1' 0"



Head Jamb and Sill



Jambs

*NOTE: Shown with optional sheet rock return. Picture unit installation similar.
 The above wall sections represent typical wall conditions, these detail are not intended as installation instructions.
 Please refer to the installation instructions provided with the purchased units.*